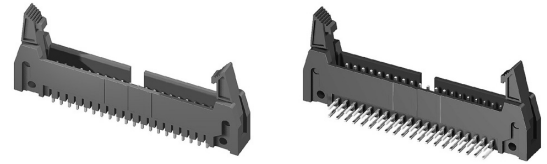


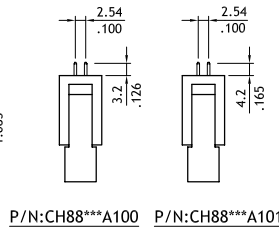
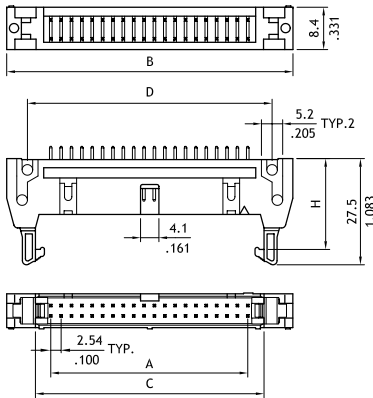
CH88 Series Dual Row Board Mount Pin Header

2.54mm(.100") Center spacing

- ⊙ Shrouded header with eject latch
- ⊙ Mates with CB94,CA21



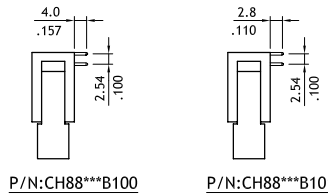
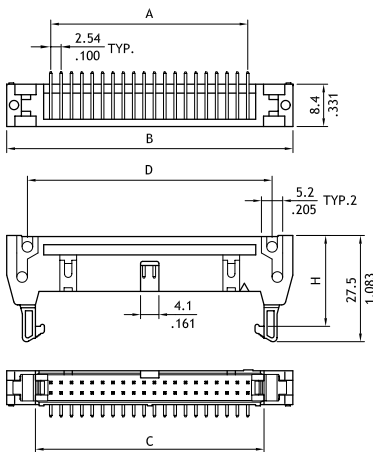
E159616



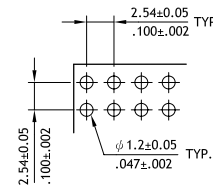
P/N:CH88**A100 P/N:CH88**A101

Circuits	Rib	Dimension			
		A	B	C	D
10	3	10.16(.400)	31.88(1.255)	18.10(.713)	21.66(.852)
14	3	15.24(.600)	36.96(1.455)	23.18(.912)	26.67(1.050)
16	5	17.78(.700)	39.50(1.555)	25.72(1.126)	29.30(1.154)
20	5	22.86(.900)	44.58(1.755)	30.80(1.216)	34.38(1.353)
24	5	27.94(1.100)	49.66(1.955)	35.88(1.413)	39.46(1.533)
26	5	30.48(1.200)	52.20(2.053)	38.42(1.513)	42.00(1.654)
30	5	35.56(1.400)	57.28(2.255)	43.50(1.713)	47.08(1.854)
34	5	40.64(1.600)	62.36(2.455)	48.58(1.923)	52.16(2.056)
40	5	48.26(1.900)	69.98(2.755)	56.20(2.213)	59.78(2.354)
50	5	60.96(2.400)	82.68(3.255)	68.90(2.713)	72.48(2.854)
60	7	73.66(2.900)	95.38(3.755)	81.60(3.213)	85.18(3.354)
64	7	78.74(3.100)	100.46(3.955)	86.68(3.413)	90.26(3.554)

*Long Latch Dim. H=22.0mm
*Short Latch Dim. H=18.4mm



P/N:CH88**B100 P/N:CH88**B101



Recommended P.C. Board Layout

CH

BOARD TO BOARD

Ordering Code

1
2
3
4
5
6
CH88
64
2
A
1
00

- 1** Series No.
- 2** Circuits:
see above table
- 3** Plating code:
2= Gold flash over Nickel plated
*Optional plating available but MOQ requested
- 4** Tail Style:
A= With Long Latch/Straight Type
B= With Long Latch/Right Angle Type
C= With Short Latch/Straight Type
D= With Short Latch/Right Angle Type
- 5** Color: 1= Black
- 6** Other options:
00= Standard
*Special options Consult manufacturer