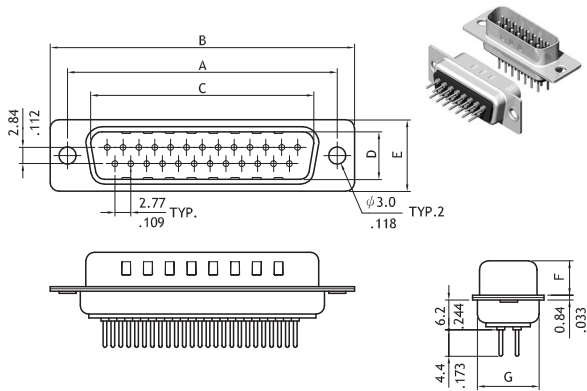


CD72 Series Machine Contact Straight DIP Solder D-Sub

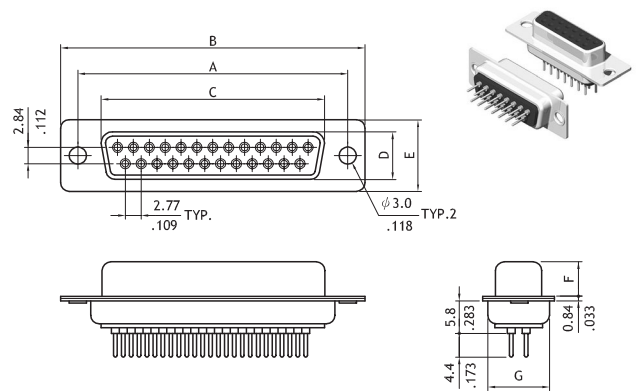
- Mate with standard D-Sub
- Metal shell and solder tails
- Riveted Hex nuts or hard ware accessories options available
- Lead Free soldering process available

RoHS Compliant

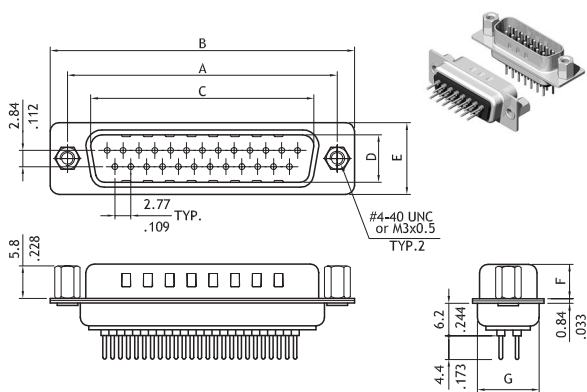
Plug Connector (00Type)



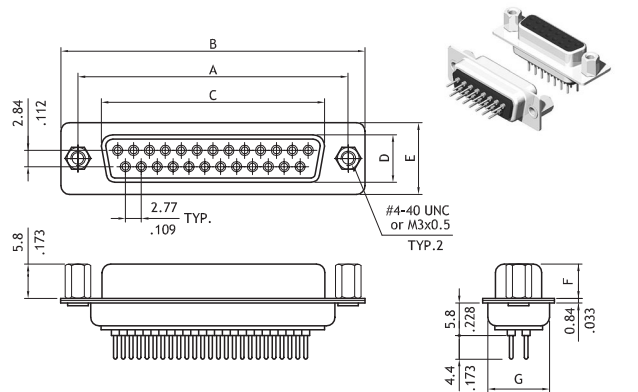
Receptacle Connector (00Type)



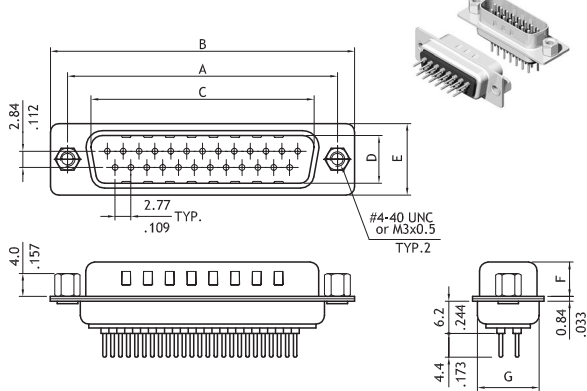
Plug Connector (A0/A1Type)



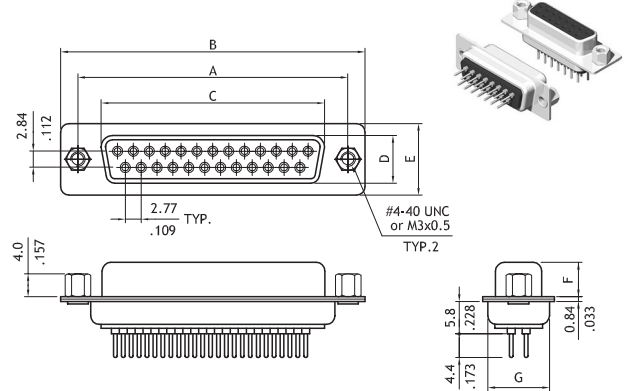
Receptacle Connector (A0/A1Type)



Plug Connector (B0/B1Type)



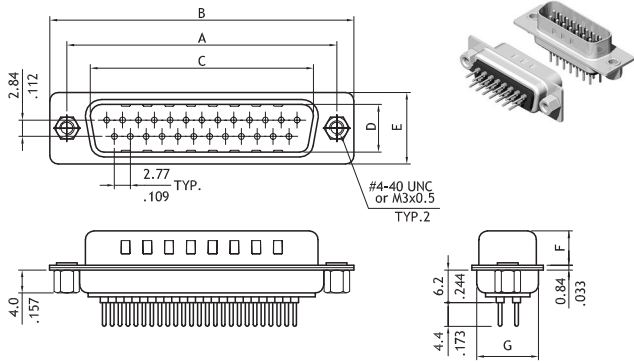
Receptacle Connector (B0/B1Type)



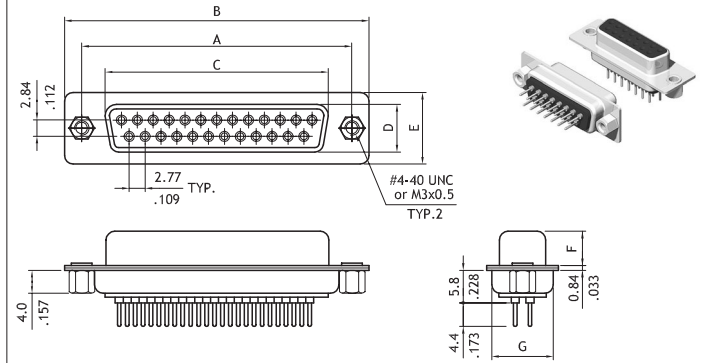
CD

I/O CONNECTOR

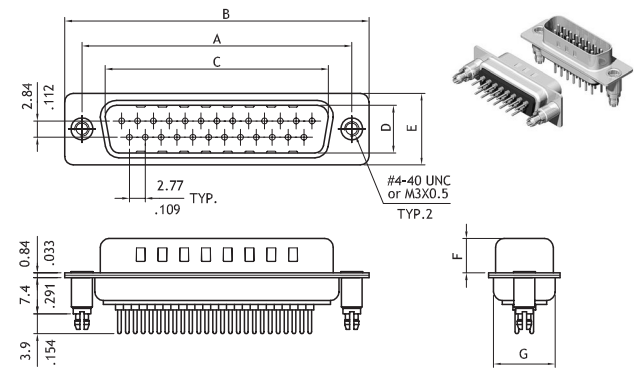
Plug Connector (C0/C1 Type)



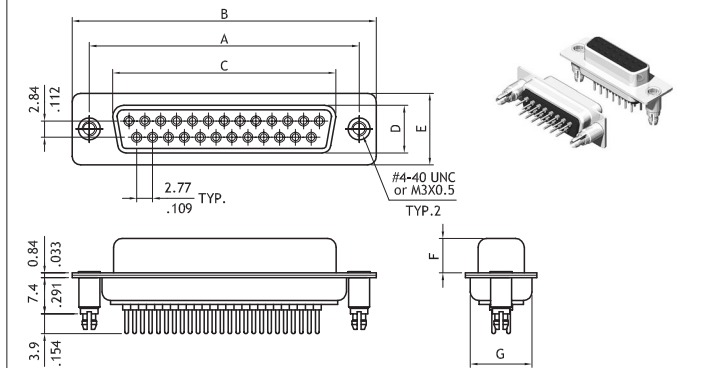
Receptacle Connector (C0/C1 Type)



Plug Connector (D3/D4 Type)



Receptacle Connector (D3/D4 Type)



Circuits	Connector Type	Dimension						
		A	B	C	D	E	F	G
9	Plug	25.0(.984)	30.8(1.213)	16.92(.666)	8.3(.327)	12.5(.492)	6.0(.236)	10.75(.423)
	Receptacle	25.0(.984)	30.8(1.213)	16.3(.642)	7.9(.311)	12.5(.492)	5.8(.228)	10.75(.423)
15	Plug	33.32(1.312)	39.2(1.543)	25.25(.994)	8.3(.327)	12.5(.492)	6.0(.236)	10.75(.423)
	Receptacle	33.32(1.312)	39.2(1.543)	24.6(.969)	7.9(.311)	12.5(.492)	5.8(.228)	10.75(.423)
25	Plug	47.04(1.852)	53.1(2.091)	38.96(1.534)	8.3(.327)	12.5(.492)	6.0(.236)	10.75(.423)
	Receptacle	47.04(1.852)	53.1(2.091)	38.3(1.508)	7.9(.311)	12.5(.492)	5.8(.228)	10.75(.423)
37	Plug	63.5(2.500)	69.4(2.732)	55.42(2.182)	8.3(.327)	12.5(.492)	6.0(.236)	10.75(.423)
	Receptacle	63.5(2.500)	69.4(2.732)	54.8(2.157)	7.9(.311)	12.5(.492)	5.8(.228)	10.75(.423)
50	Plug	61.0(2.402)	67.0(2.638)	52.8(2.079)	11.1(.473)	15.3(.602)	6.0(.236)	13.35(.526)
	Receptacle	61.0(2.402)	67.0(2.638)	52.2(2.055)	10.9(.429)	15.3(.602)	5.8(.228)	13.55(.526)

Ordering Code

① CD ② 7 ③ 2 ④ P ⑤ 2 ⑥ 1 ⑦ 0 ⑧ 0

- ① Series No.
- ② Contacts: 9,15,25,37,50
- ③ Connector type:
P= Plug (Male) , S= Receptacle(Female)
- ④ Plating code:
2=Gold flash over Nickel
*Optional plating available but MOQ requested
- ⑤ Insulator Color:
1=Black, 0=White
- ⑥ Other options:
00= With ø3.05mm holes on shell(Standard)
A0= Riveted #4-40 UNC close nuts on front shell
A1= Riveted M3x0.5 close nuts on front shell
B0= Riveted #4-40 UNC open nuts on front shell
B1= Riveted M3x0.5 open nuts on front shell
C0= Riveted #4-40 UNC open nuts on rear shell
C1= Riveted M3x0.5 open nuts on rear shell
D3= Riveted #4-40 UNC close ground stand-off on rear shell
D4= Riveted M3x0.5 close ground stand-off on rear shell
*Special options Consult manufacturer