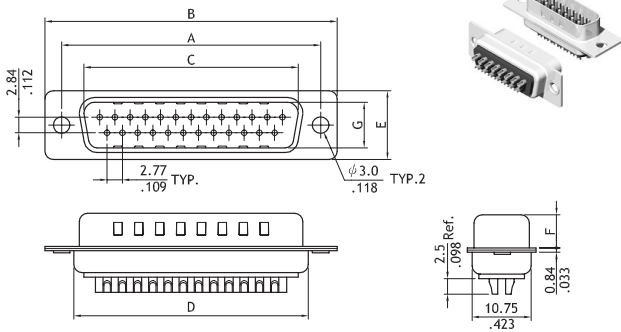


CD71 Series Machine Contact Solder Cup D-Sub

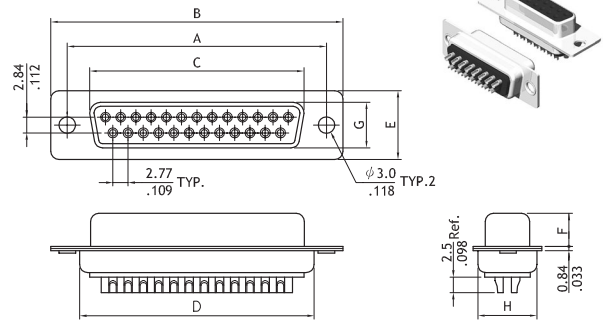
- Mate with standard D-Sub
- Metal shell and solder tails
- Riveted Hex nuts or hard ware accessories options available

RoHS Compliant

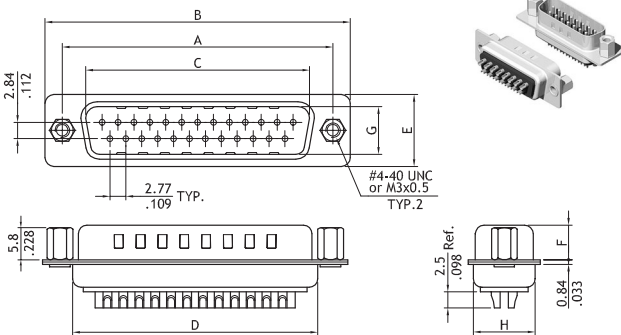
Plug Connector(00Type)



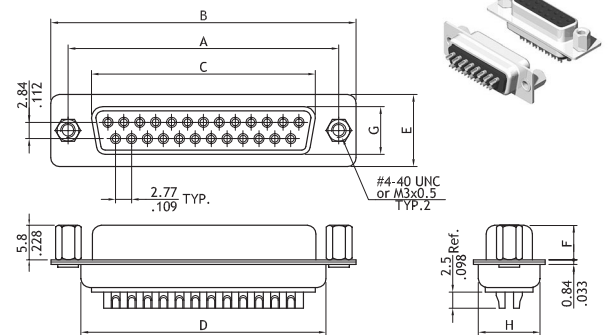
Receptacle Connector(00Type)



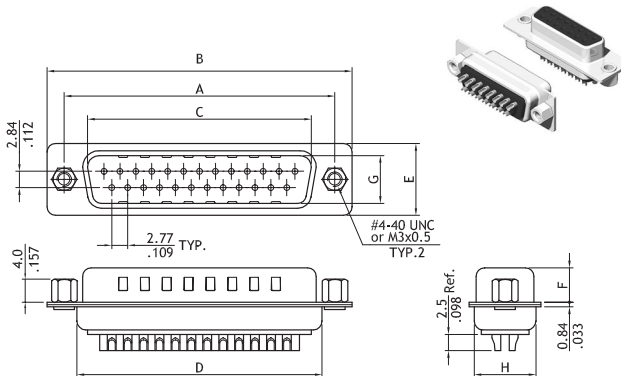
Plug Connector(A0/A1Type)



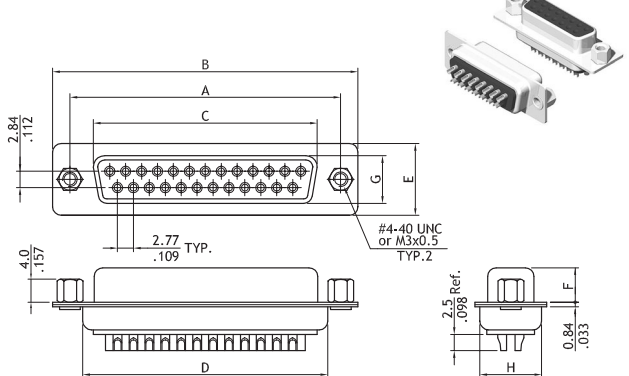
Receptacle Connector(A0/A1Type)



Plug Connector(B0/B1Type)



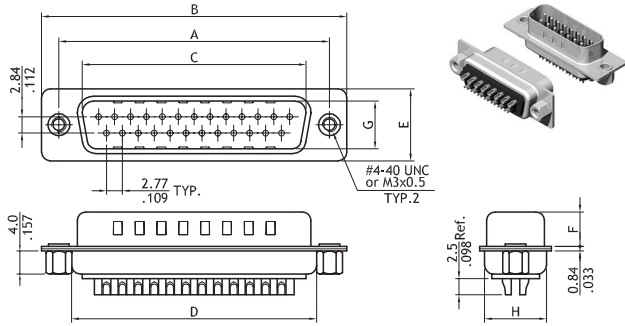
Receptacle Connector(B0/B1Type)



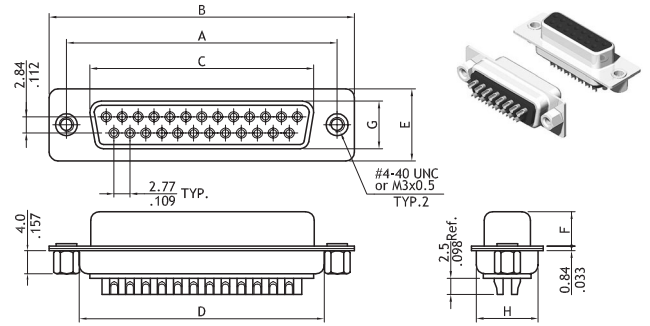
CD

I/O CONNECTOR

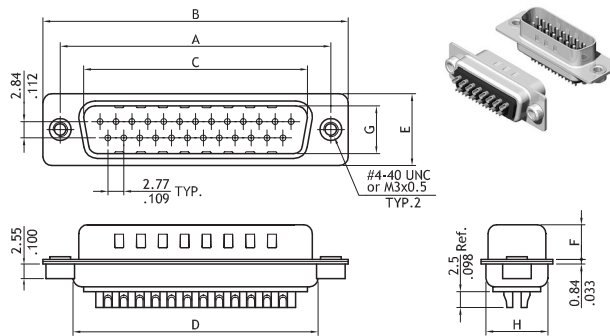
Plug Connector(C0/C1Type)



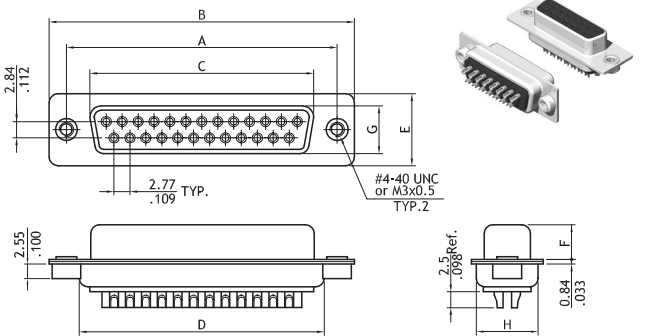
Receptacle Connector(C0/C1Type)



Plug Connector(K0/K1Type)



Receptacle Connector(K0/K1Type)



Circuits	Connector Type	Dimension							
		A	B	C	D	E	F	G	H
9	Plug	25.0(.984)	30.8(1.213)	16.92(.666)	19.2(.756)	12.5(.492)	6.0(.236)	8.3(.327)	10.75(.423)
	Receptacle	25.0(.984)	30.8(1.213)	16.30(.642)	19.2(.756)	12.5(.492)	5.8(.228)	7.9(.311)	10.75(.423)
15	Plug	33.32(1.312)	39.2(1.543)	25.25(.994)	27.6(1.087)	12.5(.492)	6.0(.236)	8.3(.327)	10.75(.423)
	Receptacle	33.32(1.312)	39.2(1.543)	24.6(.969)	27.6(1.087)	12.5(.492)	5.8(.228)	7.9(.311)	10.75(.423)
25	Plug	47.04(1.852)	53.1(2.091)	38.96(1.534)	41.1(1.618)	12.5(.492)	6.0(.236)	8.3(.327)	10.75(.423)
	Receptacle	47.04(1.852)	53.1(2.091)	38.3(1.508)	41.1(1.618)	12.5(.492)	5.8(.228)	7.9(.311)	10.75(.423)
37	Plug	63.5(2.500)	69.4(2.732)	55.42(2.182)	57.3(2.256)	12.5(.492)	6.0(.236)	8.3(.327)	10.75(.423)
	Receptacle	63.5(2.500)	69.4(2.732)	54.80(2.157)	57.3(2.256)	12.5(.492)	5.8(.228)	7.9(.311)	10.75(.423)
50	Plug	61.0(2.242)	69.4(2.732)	52.81(2.079)	55.0(2.169)	15.3(.602)	6.0(.236)	11.1(.473)	13.35(.526)
	Receptacle	61.0(2.242)	69.4(2.732)	52.2(2.055)	55.0(2.169)	15.3(.602)	5.8(.228)	10.9(.429)	13.35(.526)

Ordering Code

① CD ② 7 ③ 1 ④ P ⑤ 2 ⑥ 1 00

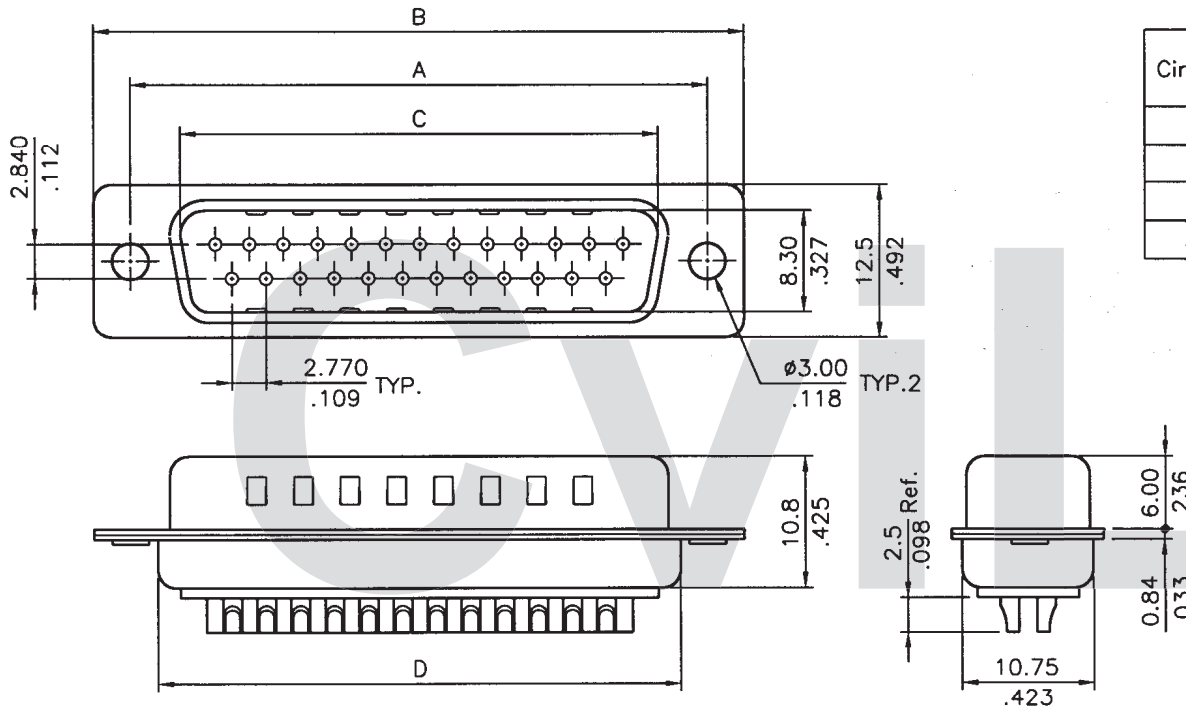
- ① Series No.
- ② Contacts:
9,15,25,37,50
- ③ Connector type:
P= Plug (Male)
S= Receptacle(Female)
- ④ Plating code:
2=Gold flash over Nickel
*Optional plating available but MOQ requested
- ⑤ Insulator Color:
1=Black
*Optional insulator color available but consult manufacturer
- ⑥ Other options:
00= With ø3.0mm holes on shell(Standard)
A0= Riveted #4-40 UNC close nuts on front shell
A1= Riveted M3x0.5 close nuts on front shell
B0= Riveted #4-40 UNC open nuts on front shell
B1= Riveted M3x0.5 open nuts on front shell
C0= Riveted #4-40 UNC open nuts on rear shell
C1= Riveted M3x0.5 open nuts on rear shell
K0= Riveted #4-40 UNC open nuts on rear shell
K1= Riveted M3x0.5 open nuts on rear shell
*Special options Consult manufacturer

Material:

Insulator: Glass filled Polyester UL 94V-0
Color Black or White

Contact: Brass

Shell: Steel, Tin plated as standard



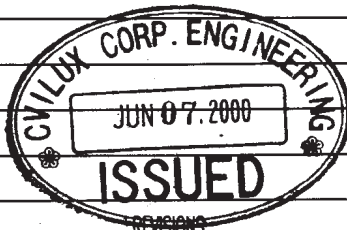
Circuits	Dimension			
	A	B	C	D
9	25.00(.984)	30.8(1.213)	16.92(.666)	19.2(.756)
15	33.32(1.312)	39.2(1.543)	25.25(.994)	27.6(1.087)
25	47.04(1.852)	53.1(2.091)	38.96(1.534)	41.1(1.618)
37	63.50(2.500)	69.4(2.732)	55.42(2.182)	57.3(2.256)

Ordering Code :

CD71 25 P * * 00
① ② ③ ④ ⑤ ⑥

- Series No.
- Contacts: 9,15,25,37
- Contact type : P=plug , S=Receptacle
- Contact Plating :
 - 2 = Gold flash plated over 1.27 μ m(50 μ " Nickel (Standard)
 - 3 = 0.38 μ m(15 μ " Gold plated over 1.27 μ m(50 μ " Nickel
 - 4 = 0.76 μ m(30 μ " Gold plated over 1.27 μ m(50 μ " Nickel
 - 5 = 1.27 μ m(50 μ " Gold plated over 1.27 μ m(50 μ " Nickel
- Insulator Color :
 - 1=Black , 0=White
- Other option :
 - 00 = With ø3.00mm holes on shell

REVISIONS	SYMBOL	NAME	DATE	APPROVED BY	CHECKED BY	ENGINEER	DRAWN BY	DATE	UNIT	TOLERANCE	TITLE	DRAWING NO. CD7101SB PART NO. CD71**P**00		
4									mm / inch	UNLESS OTHERWISE SPECIFIED	D-SUB SOLDER CUP MALE CONNECTOR (MACHINED CONTACT)	SCALE 2 / 1 SHEET 1 OF 1		
3							David	2/15-00	X	±0.30/012	X' ± 1"			
2							David	2/15-00	XX	±0.20/008	X' ±			
1							Alux	2/15-00	XXX	±0.10/004	XX ±			



RoHS Compliant



瀚荃股份有限公司
CviLux Corporation