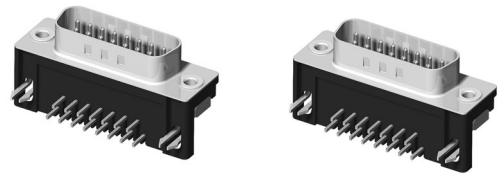


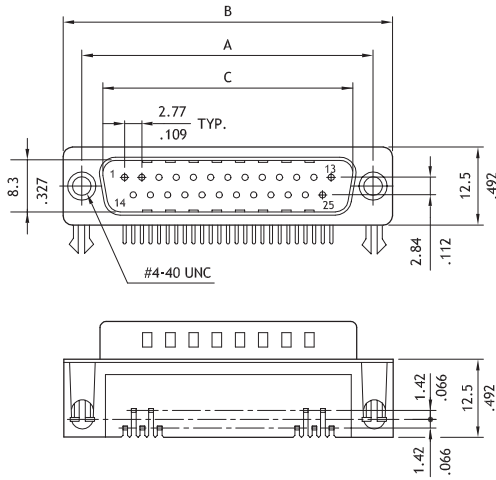
**CD61 Series 8.10mm Footprint Right angle DIP solder D-Sub**

- Mate with standard D-Sub
- With metal shell and solder tails
- Ground hooks or ground tabs options available
- Lead Free soldering process available

**RoHS** Compliant

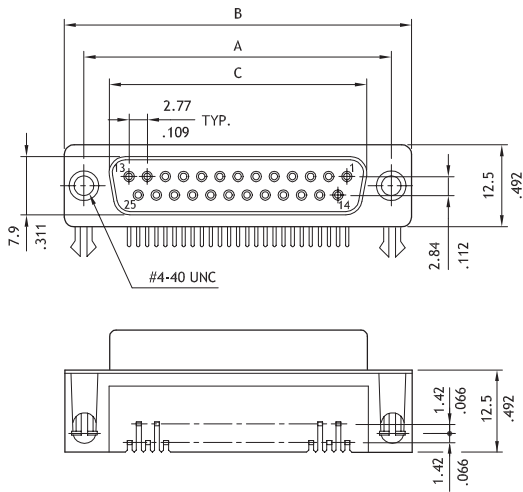
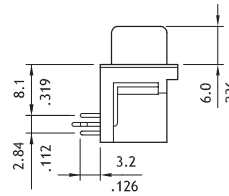


**RU** :E159616



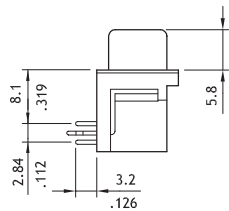
Plug Connector

Circuits	Dimension		
	A	B	C
9	25.00(.984)	30.8(1.213)	16.92(.666)
15	33.32(1.312)	39.2(1.543)	25.25(.994)
25	47.04(1.852)	53.1(2.091)	38.96(1.534)
37	63.50(2.500)	69.4(2.732)	55.42(2.182)



Receptacle connector

Circuits	Dimension		
	A	B	C
9	25.00(.984)	30.8(1.213)	16.3(.642)
15	33.32(1.312)	39.2(1.543)	24.6(.969)
25	47.04(1.852)	53.1(2.091)	38.3(1.508)
37	63.50(2.500)	69.4(2.732)	54.8(2.157)

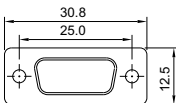
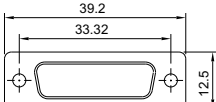
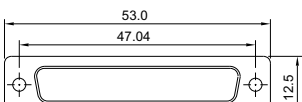
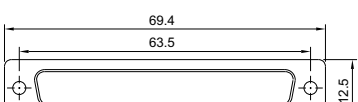
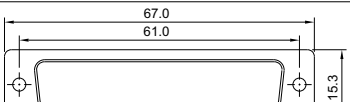


**Ordering Code**

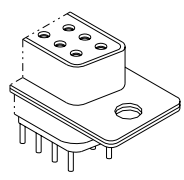
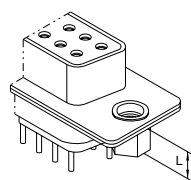
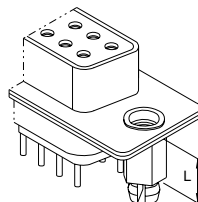
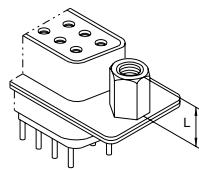
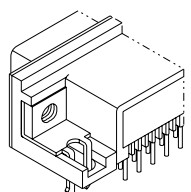
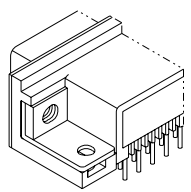
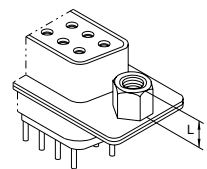
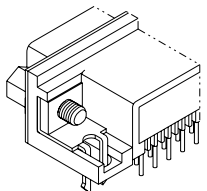
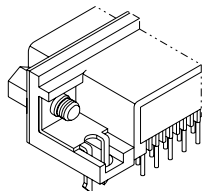
**① CD ② 6 ③ 1 ④ 2 ⑤ 5 ⑥ S ⑦ A ⑧ 1 ⑨ F ⑩ 0**

- ①** Series No.
- ②** Contacts:  
9,15,25,37
- ③** Connector type:  
P= Plug  
S= Receptacle
- ④** Plating code:  
2= Gold flash over Nickel  
A= Selective Gold flash over Nickel  
\*Optional plating available but MOQ requested
- ⑤** Insulator Color:  
1=Black
- ⑥** Other options:  
F0= Riveted ground hooks with #4-40 UNC open (Standard)  
I0= Riveted ground tabs thread #4-40 UNC open and ground tabs with ø3.2mm holes  
J0= Assembly ground hooks by #4-40 UNC Hex screws  
G0=Riveted ground hooks pre-loaded #4-40 UNC Hex screws  
\*Special options Consult manufacturer

## D-Sub Shell size

D-SUB CONNECTOR	HIGH DENSITY D-SUB CONNECTOR		SHELL SIZE
9 POSITION	15 POSITION	<b>E</b>	
15 POSITION	26 POSITION	<b>A</b>	
25 POSITION	44 POSITION	<b>B</b>	
37 POSITION	62 POSITION	<b>C</b>	
50 POSITION	78 POSITION	<b>D</b>	

## D-Sub Mounting style options for stamped contact

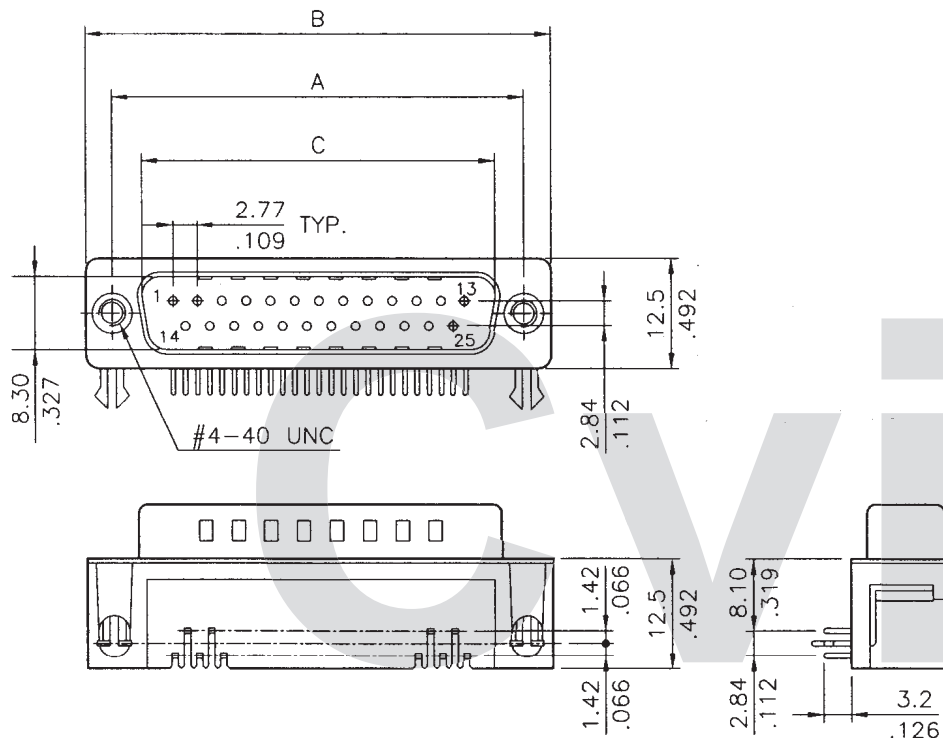
<p><b>0</b> Riveted front and rear shell with 3.05mm Hole</p> 	<p><b>C</b> Riveted #4-40 UNC open nuts on rear shell DIM. L= 4.0mm</p> 	<p><b>D</b> Riveted #4-40 UNC close ground stand-off on rear shell DIM. L= 7.0mm</p> 
<p><b>A</b> Riveted #4-40 UNC close nuts on front shell DIM. L= 5.8mm (Standard)</p> 	<p><b>F</b> Riveted ground hooks with #4-40 UNC open</p> 	<p><b>I</b> Riveted ground tabs with #4-40 UNC open</p> 
<p><b>B</b> Riveted #4-40 UNC open nuts on front shell DIM. L= 4.0mm</p> 	<p><b>G</b> Riveted ground hooks pre-loaded #4-40 UNC Hex screws</p> 	<p><b>J</b> Assembly ground hooks by #4-40 UNC Hex screws</p> 

Material:

- \* Insulator: Glass filled polyester UL 94V-0
- \* Contacts: Copper alloy
- \* Shell: Steel, Tin plated as standard
- \* Recommended P.C. Board Layout see drawing No. CD6113S\*

Ordering Code:

CD61 25 P 2 1 F0  
 ① ② ③ ④ ⑤ ⑥



- ① Series No.
- ② Contacts
- ③ Contact type: P= Plug (Male)
- ④ Plating option:  
 2= Gold flash plated over Nickel  
 A= Selective Gold flash plated over Nickel  
 B= Selective 0.38μm(15μ") Gold plated over 1.27μm(50μ") Nickel  
 C= Selective 0.76μm(30μ") Gold plated over 1.27μm(50μ") Nickel
- ⑤ Color: 1= Black , T= Turquoise
- ⑥ Other Option:  
 F0= Riveted ground hooks with #4-40 UNC open (Standard)  
 G0= Riveted ground hooks pre-loaded #4-40 UNC Hex screws  
 I0= Riveted ground tabs thread #4-40 UNC open and ground tabs with Ø3.2mm holes  
 J0= Assembly ground hooks by #4-40 UNC Hex screws

Circuits	Dimension		
	A	B	C
9	25.00(.984)	30.8(1.213)	16.92(.666)
15	33.32(1.312)	39.2(1.543)	25.25(.994)
25	47.04(1.852)	53.1(2.091)	38.96(1.534)
37	63.50(2.500)	69.4(2.732)	55.42(2.182)

Mounting Style				RoHS Compliant			
Code	F0	Code	G0	Code	I0	Code	J0
			DIM. L= 4.8mm		Ø A= 3.2mm		DIM. L= 4.8mm

④					DATE	UNIT: mm / inch	TITLE: D-SUB PCB MOUNT (8.1mm) MALE CONNECTOR	瀚荃股份有限公司 CviLux Corporation			
③					DRAWN BY: Sun	12/23-03	TOLERANCE UNLESS OTHERWISE SPECIFIED				
②					ENGINEER: Zisley	12/23-03	.X ± 0.30/.012 .X' ± .1'	MATERIAL: FINISH:			
①	SUN	12/11/03			CHECKED BY: David	12/24-03	.XX ± 0.20/.010 .X' ± .1'				
SYM	NAME	DATE			APPROVED BY: [Signature]	12/24-03	.XXX ± 0.10/.004 .XX' ± .1'				

