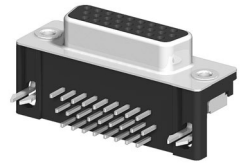
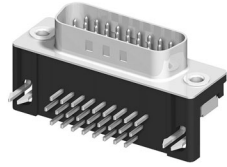


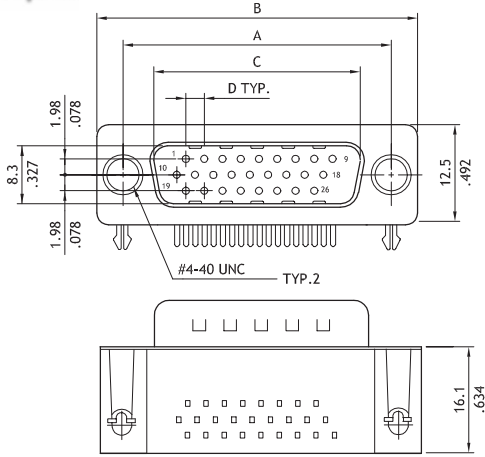
CD05 Series High Density Right Angle DIP Solder D-Sub

- Mate with standard D-Sub
- With metal shell and with solder tails
- Riveted grounding hooks or tabs options
- Lead Free soldering process available

RoHS Compliant

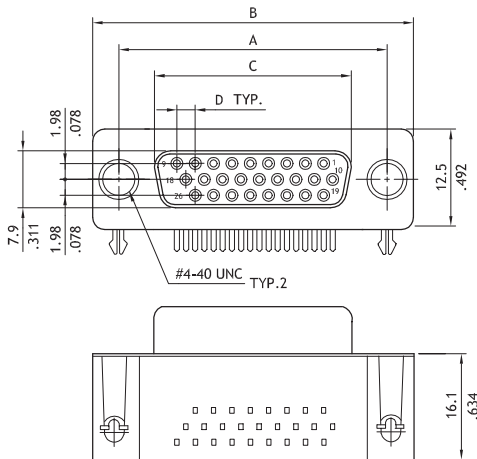
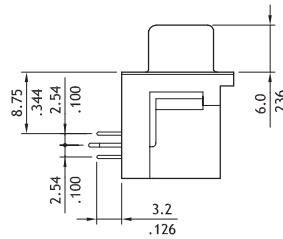


:E159616



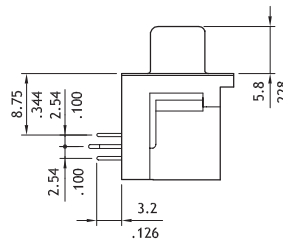
Plug Connector

Circuits	Dimension			
	A	B	C	D
15	25.00(.984)	30.8(1.213)	16.92(.666)	2.29(.090)
26	33.32(1.312)	39.2(1.543)	25.25(.994)	2.29(.090)
44	47.04(1.852)	53.1(2.091)	38.96(1.534)	2.29(.090)
62	63.50(2.500)	69.4(2.732)	55.42(2.182)	2.41(.095)



Receptacle connector

Circuits	Dimension			
	A	B	C	D
15	25.00(.984)	30.8(1.213)	16.3(.642)	2.29(.090)
26	33.32(1.312)	39.2(1.543)	24.6(.969)	2.29(.090)
44	47.04(1.852)	53.1(2.091)	38.3(1.508)	2.29(.090)
62	63.50(2.500)	69.4(2.732)	54.8(2.157)	2.41(.095)



Ordering Code

1 **2** **3** **4** **5** **6**
CD05 15 S 2 1 F0

- ① Series No.
- ② Contacts:
15,26,44,62
- ③ Connector type:
P= Plug
S= Receptacle

- ④ Plating code:
2= Gold flash over Nickel
A= Selective Gold flash over Nickel
*Optional plating available but MOQ requested
- ⑤ Insulator Color:
1=Black
*Optional insulator color consult manufacturer

- ⑥ Other options:
F0= Riveted ground hooks with #4-40 UNC open (Standard)
I0= Riveted ground tabs thread #4-40 UNC open and ground tabs with ø3.2mm holes
J0= Assembly ground hooks by #4-40 UNC Hex screws
G0=Riveted ground hooks pre-loaded #4-40 UNC Hex screws
*Special options Consult manufacturer