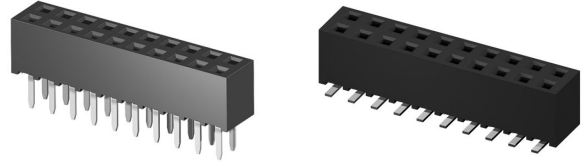


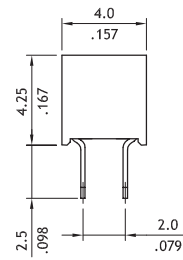
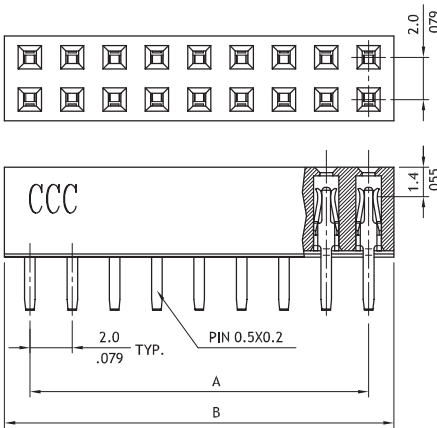
CB74 Series 2.00mm(.079") Dual Row Female Headers

- Mates with CH71, CH72 and CH75
- Lead Free soldering process available

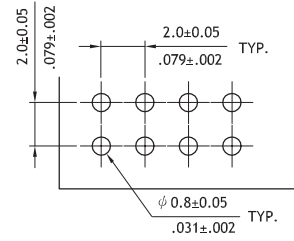
RoHS Compliant



P/N CB74**2V100

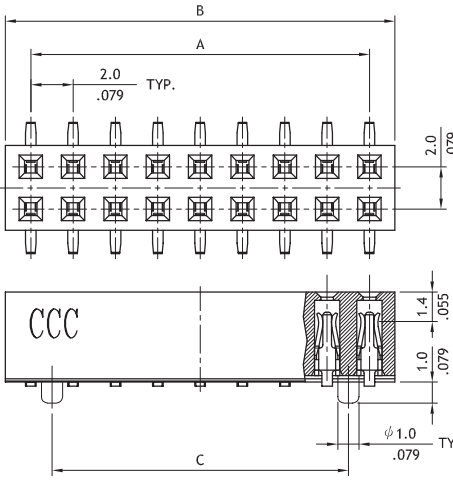


A = 2.0 * No. of Spaces
B = A + 2.4

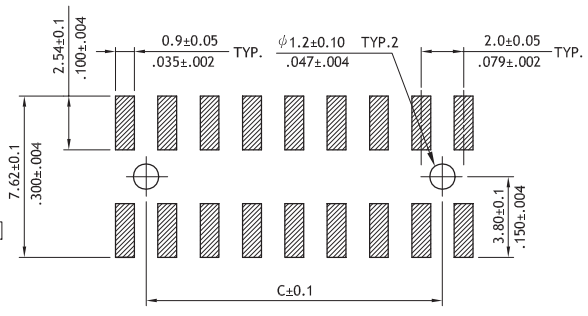


Recommended P.C. Board Layout

P/N CB74**2M100



A = 2.00 * No. of Spaces
B = A + 2.4
C = A - 2.0



Recommended P.C. Board Layout

Ordering Code

1 **2** **3** **4** **5** **6**
CB74 **80** **2** **M** **1** **00**

- 1** Series No.
- 2** Circuits:
04 to 80
- 3** Plating code:
2= Gold flash over Nickel
*Optional plating available but MOQ requested
- 4** Tail Style:
V= Straight
M= SMT Type
- 5** Insulator Color : 1= Black
- 6** Other options:
00= Standard