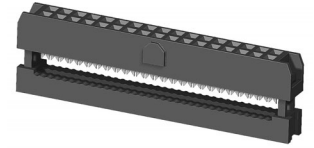


**CA11 Series Flat Cable - IDC Socket**

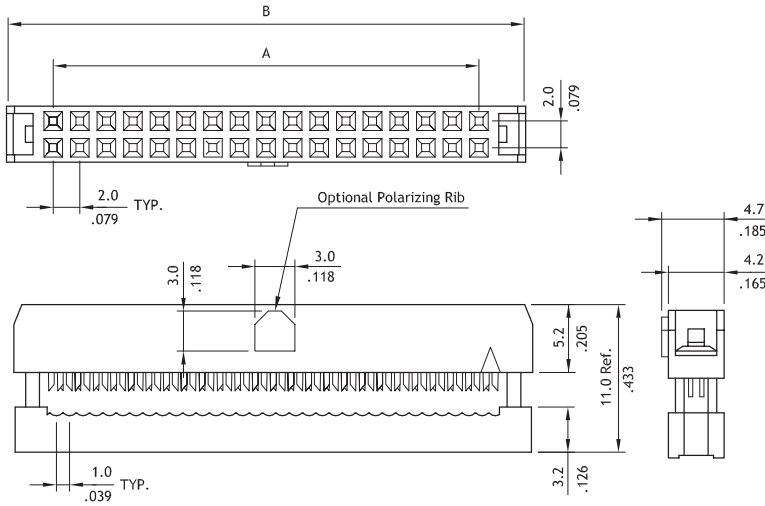
2.00mm(.079") Center Spacing

- Mates with CH71, CH75 and CH74 headers
- Can be used CW02 1.00mm(.039") Center Spacing ribbon cable

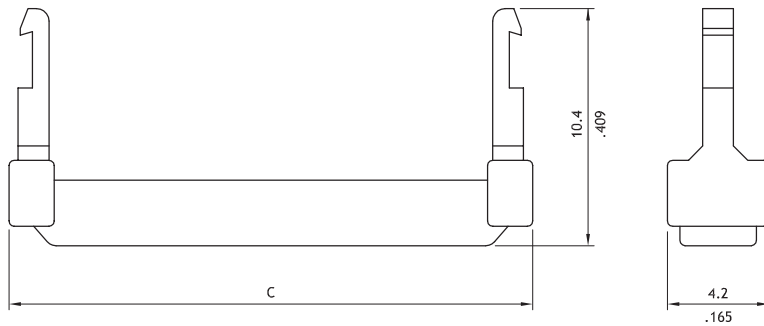


**RU** **RU**:E159616

**RoHS** Compliant



Circuits	Dimension		
	A	B	C
6	4.0(.157)	11.1(.437)	11.1(.437)
8	6.0(.236)	13.1(.516)	13.1(.516)
10	8.0(.315)	15.1(.594)	15.1(.594)
12	10.0(.394)	17.1(.673)	17.1(.673)
14	12.0(.472)	19.1(.752)	19.1(.752)
16	14.0(.551)	21.1(.831)	21.1(.831)
20	18.0(.709)	25.1(.988)	25.1(.988)
22	20.0(.787)	27.1(1.067)	27.1(1.067)
24	22.0(.866)	29.1(1.146)	29.1(1.146)
26	24.0(.945)	31.1(1.224)	31.1(1.224)
30	28.0(1.102)	35.1(1.382)	35.1(1.382)
34	32.0(1.260)	39.1(1.539)	39.1(1.539)
40	38.0(1.496)	45.1(1.776)	45.1(1.776)
44	42.0(1.654)	49.1(1.933)	49.1(1.933)
50	48.0(1.890)	55.1(2.169)	55.1(2.169)
68	66.0(2.598)	73.1(2.878)	73.1(2.878)



Strain Relief

**Ordering Code**

**1** **2** **3** **4** **5** **6**  
**CA11 68 S A 1 00**

- ① Series No.
- ② No. of Circuits: See drawing
- ③ Contact Type: S= Socket
- ④ Plating code:  
 A= Selective Gold flash over Nickel  
 \*Optional plating available but MOQ requested
- ⑤ Color: 1= Black
- ⑥ Other options:  
 00= With Polarizing Rib (Standard)  
 A0= Without Polarizing Rib  
 \*Special options Consult manufacturer

**Strain Relief**

**1** **2** **3** **4**  
**CA11 68 SR 100**

- ① Series No.
- ② Contacts: See drawing
- ③ SR= Strain-Relief
- ④ Color: 100= Black

CA

WIRE TO BOARD