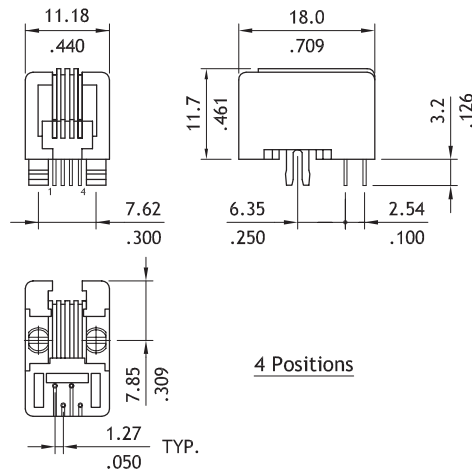
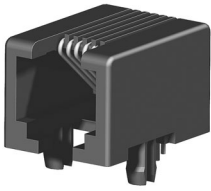


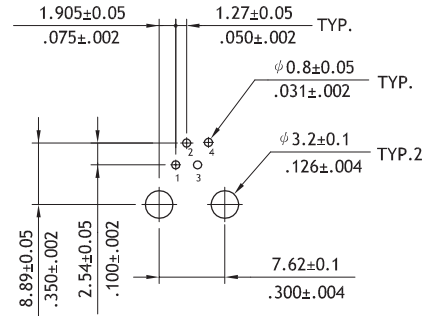
CJ97 Series Board Mount Telephone Jacks

- Available in 4, 6 and 8 ways only
- Insulator: Black, Glass Filled Polyester
- Flammability Rating : UL 94V-0
- Cavity confirms to
FCC rules and regulations
PART 68, SUBPART F
- Lead Free soldering process available

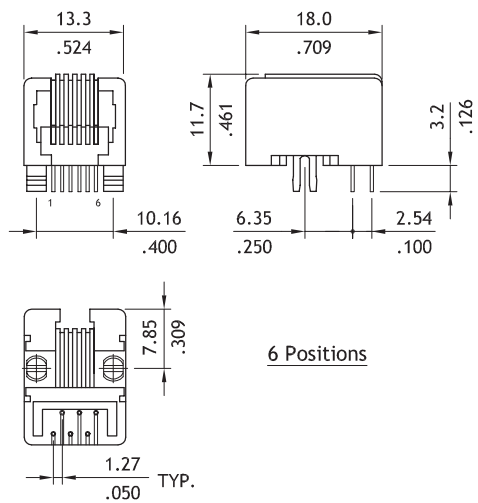
RoHS Compliant



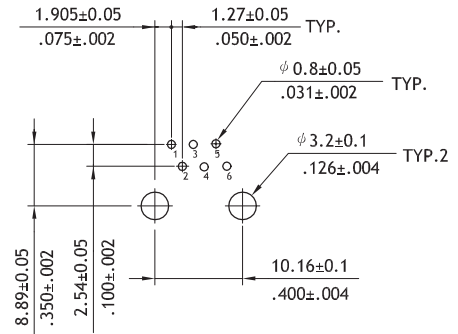
P/N CJ974**1100



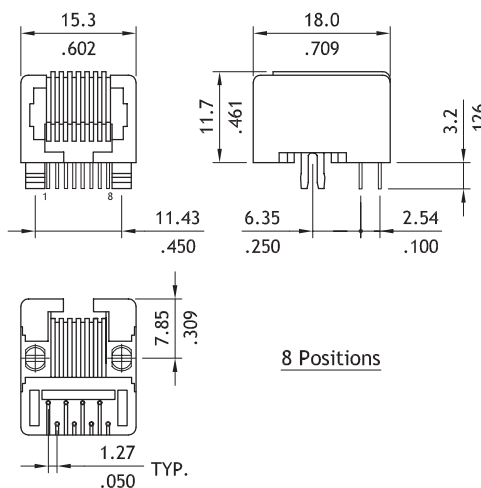
Recommended PC Board Layout



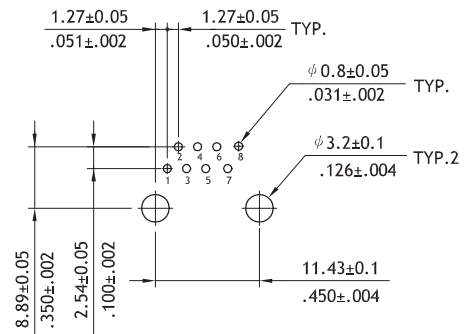
P/N CJ976**1100



Recommended PC Board Layout



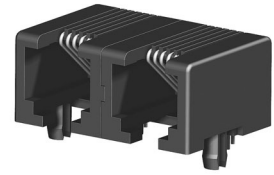
P/N CJ9788*1100



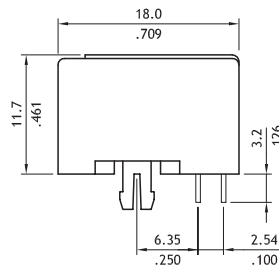
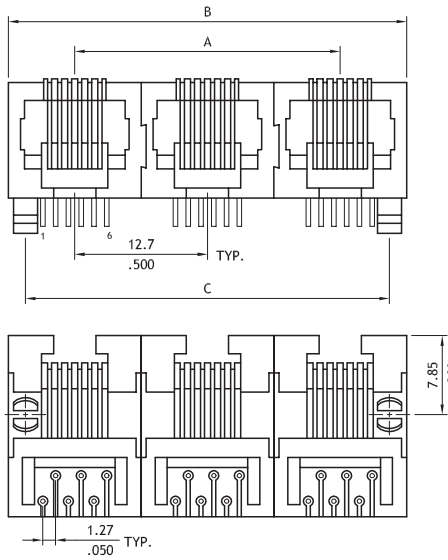
Recommended PC Board Layout

CJ97 Series Board Mount Telephone Gang Jacks

- Available in 6 and 8 ways
- Insulator: Black, Glass Filled Polyester
- Flammability Rating : UL 94V-0
- Cavity confirms to FCC rules and regulations PART 68, SUBPART F
- Lead Free soldering process available

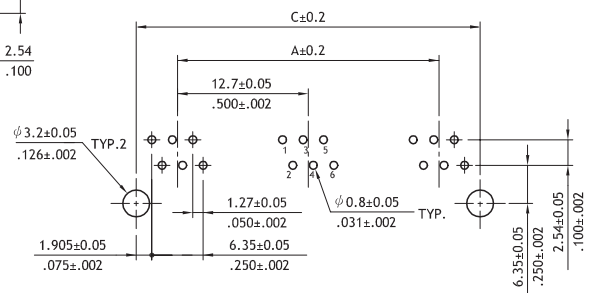


RoHS Compliant

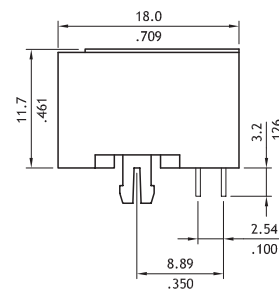
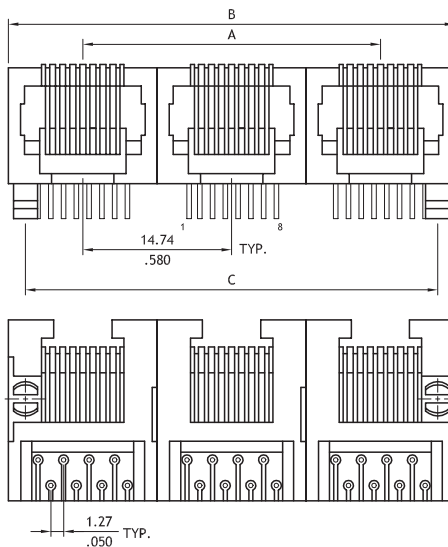


6 Position

A = 12.7 * (P-1)
 B = 13.2 * P - 0.5 * (P-1)
 C = B - 3.04
 P = Number of Ports
 (From 2 Prots Thru up)

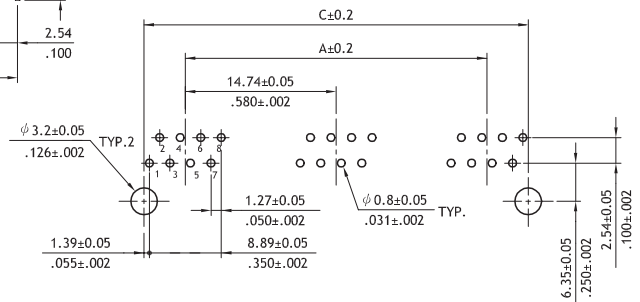


Recommended P.C. Board Layout



8 Position

A = 14.74 * (P-1)
 B = 15.32 * P - 0.5 * (P-1)
 C = B - 3.81
 P = Number of Ports
 (From 2 Prots Thru up)



Recommended P.C. Board Layout

Ordering Code

① CJ ② 97 ③ 2 ④ * ⑤ 1 ⑥ 00

- ① Series No.
- ② Contacts:
66= 6P6C , 64= 6P4C
62= 6P2C , 88= 8P8C
- ③ Plating code:
2= Gold flash over Nickel
*Optional plating available but MOQ requested
- ④ Ports: From 1 Ports thru up
- ⑤ Insulator Color: 1= Black
- ⑥ Other options:
00= Standard
*Special options consult manufacturer

3

I/O CONNECTOR