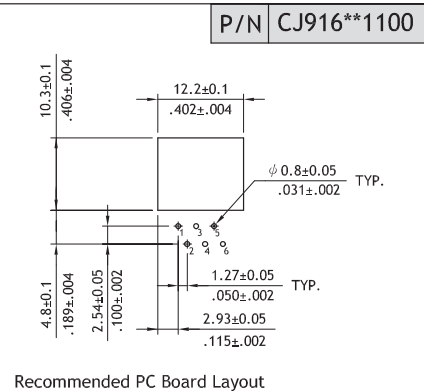
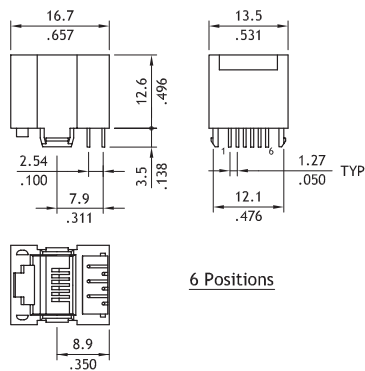
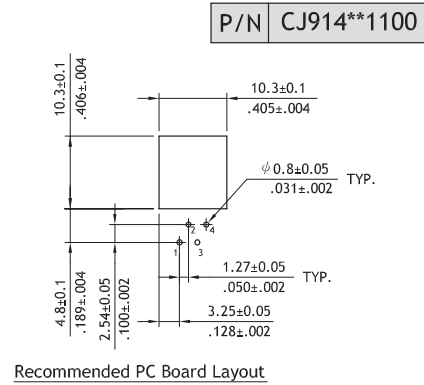
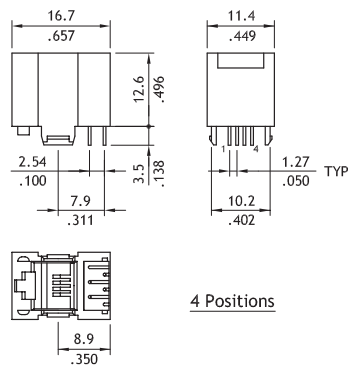
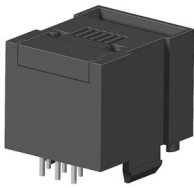


## CJ91 Series Board Mount Telephone Jacks

- Available in 4 and 6 ways
- Insulator: Black, Glass Filled Polyester
- Flammability Rating : UL 94V-0
- Cavity confirms to FCC rules and regulations PART 68, SUBPART F
- Lead Free soldering process available

**RoHS** Compliant



## CJA1 Series Board Mount Telephone Jacks

- Available in 6 and 8 ways
- Insulator: Black, Glass Filled Polyester
- Flammability Rating : UL 94V-0
- Cavity confirms to FCC rules and regulations PART 68, SUBPART F
- Lead Free soldering process available

**RoHS** Compliant

