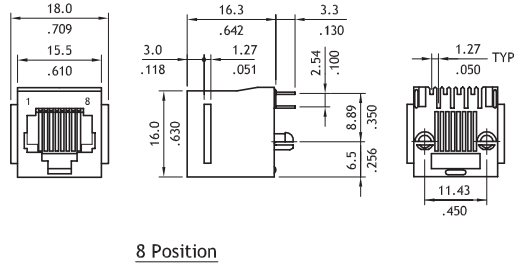
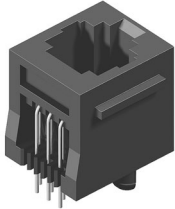




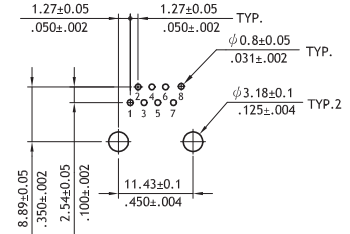
## CJ07 Series Board Mount Telephone Jacks

**RoHS** Compliant

P/N CJ0788\*1100



8 Position



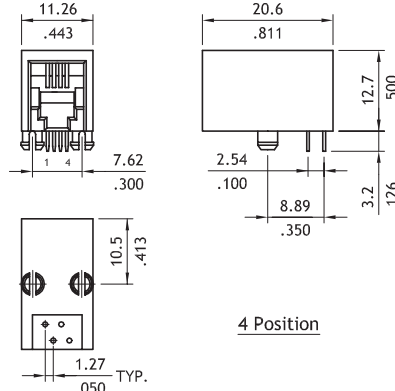
Recommended P.C. Board Layout

## CJ36 Series Board Mount Telephone Jacks

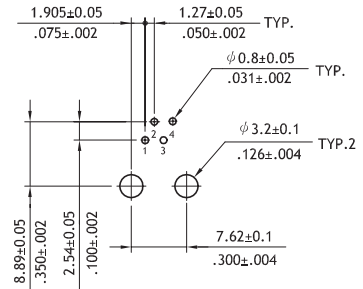
- Available in 4, 6 and 8 ways
- Insulator: Black, Glass Filled Polyester
- Flammability Rating : UL 94V-0
- Cavity confirms to FCC rules and regulations PART 68, SUBPART F
- Lead Free soldering process available

**RoHS** Compliant

P/N CJ364\*\*1100

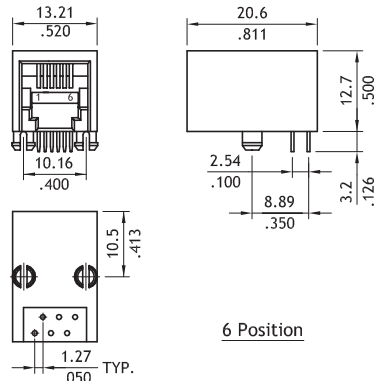
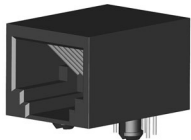


4 Position

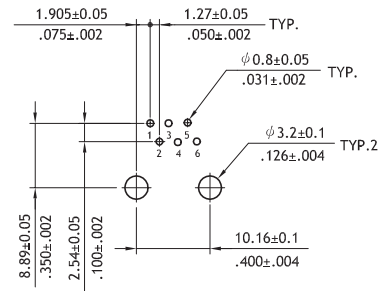


Recommended PC Board Layout

P/N CJ366\*\*1100

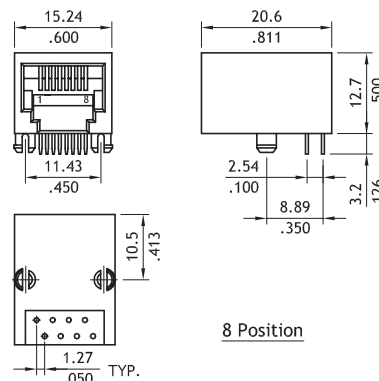


6 Position

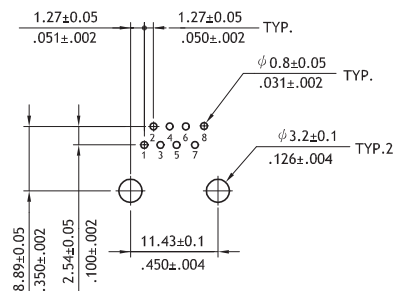


Recommended PC Board Layout

P/N CJ3688\*1100



8 Position



Recommended PC Board Layout