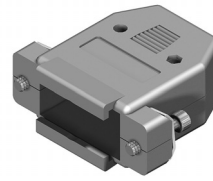
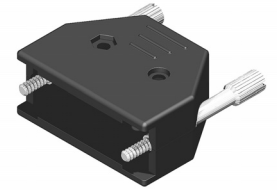


## Hood Introduction

- Options with different types for customer application
- Low cost and easy to use for various cable assemblies
- Accept standard D-SUB or High Density D-SUB connector
- Options with many cable clamps and hard wares
- All hoods can be with metalized coating
- Color code option "\*"
  - 1= Black, 9= Grey, 0= Ivory , M= Metalized , D= Die-cast

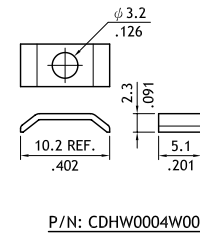
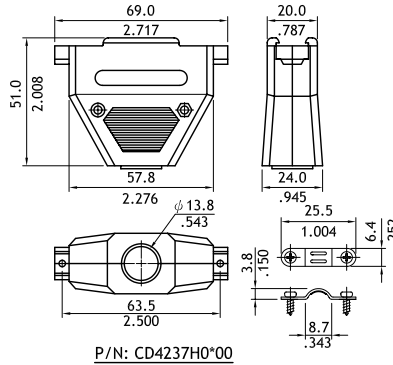
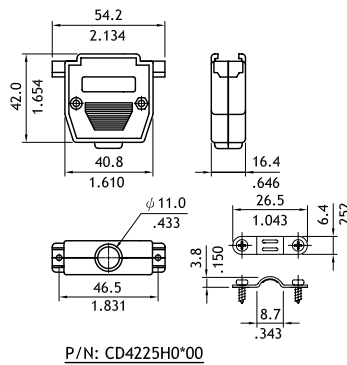
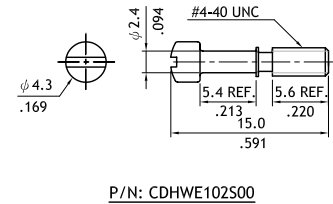
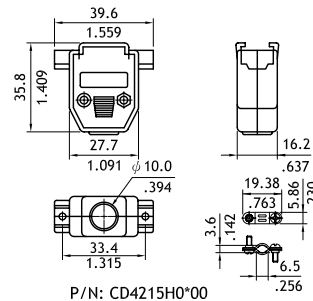
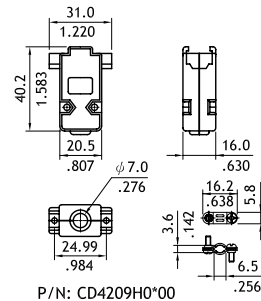


CD42 Series

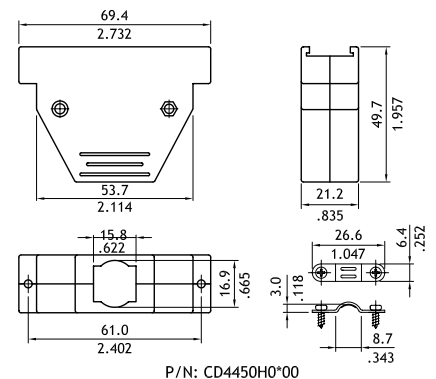
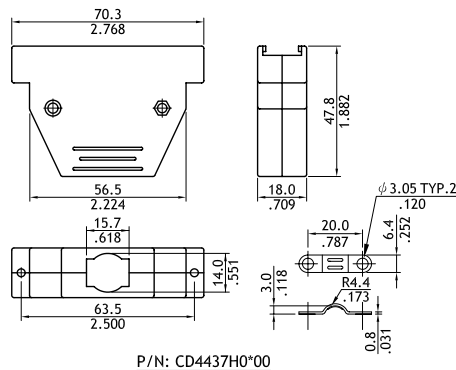
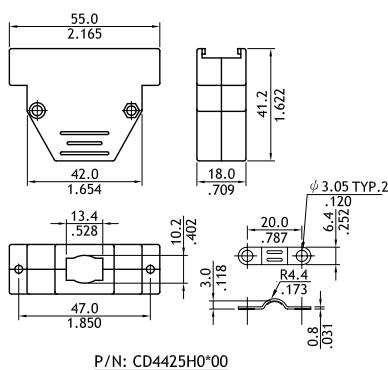
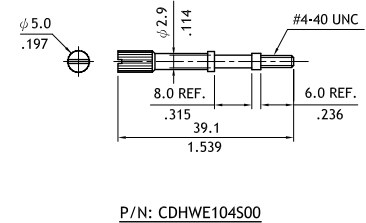
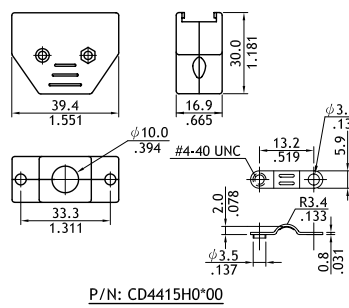
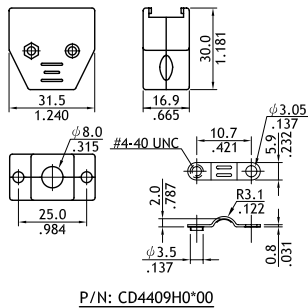


CD44 Series

## CD42 Series Plastic Hood



## CD44 Series Plastic Hood



CD

I/O CONNECTOR