

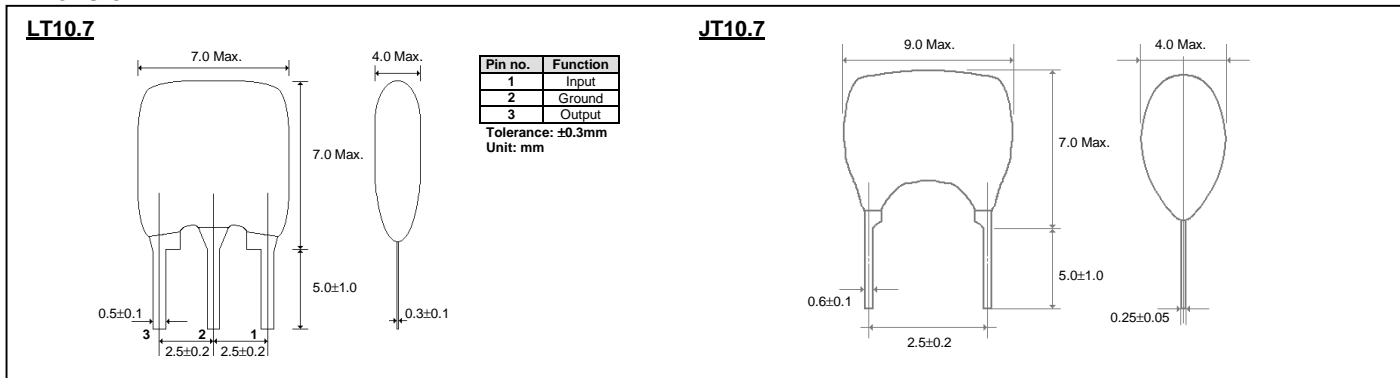


Ceramic Filter and Discriminator (FM Applications)

Product Name	Part Number	Package Type	Minimum Quantity* (Pieces)	
			Bulk	Tape
Ceramic Filter (FM)	LT10.7	Lead Type	500	1,500
Ceramic Discriminator (FM)	JT10.7	Lead Type	500	1,500

* The quantity of each delivery / order must be an integral multiple of the "Minimum Quantity"

● Dimension



● Electrical Specifications of LT10.7

Part no.	Center Frequency (MHz)	3dB Bandwidth (KHz Min.)	20dB Bandwidth (KHz Max.)	Insertion Loss (dB Max.)	Response [9KHz-12KHz] (dB Min.)
LT10.70MA20	10.70±0.03	330.0±50.0	680.0	6.0	30.0
LT10.70MA5	10.70±0.03	280.0±50.0	650.0	6.0	30.0
LT10.70MA5A10	10.70±0.03	280.0±50.0	590.0	4.5	30.0
LT10.70MH	10.70±0.03	110.0±50.0	350.0	10.0	30.0
LT10.70MHY	10.70±0.03	110.0±30.0	350.0	9.0	30.0
LT10.70MJ	10.70±0.03	150.0±50.0	400.0	10.0	35.0
LT10.70MJA10	10.70±0.03	150.0±40.0	360.0	6.5	35.0
LT10.70MS2	10.70±0.03	230.0±50.0	600.0	6.0	40.0
LT10.70MS2A10	10.70±0.03	230.0±50.0	520.0	5.0	35.0
LT10.70MS3	10.70±0.03	180.0±40.0	520.0	7.0	40.0
LT10.70MS3A10	10.70±0.03	180.0±40.0	470.0	5.0	35.0
Specification	10.64±0.03MHz	10.67±0.03MHz	10.70±0.03MHz	10.73±0.03MHz	10.76±0.03MHz
Color dot	D Black	B Blue	A Red	C Orange	E White

¹ For other frequencies or specifications, please consult with our sales representatives for details.

² Input/output impedance: 330Ω

● Electrical Specifications of JT10.7

Part no.	Center Frequency (MHz)	Recovered Audio 3dB BW (KHz Min.)	Recovered Audio Output (mV Min.)	Distortion (% Max.)	IC	Detection Method
JT10.70MC1	10.70±0.03	242.0	35.0	-	CX20091 CXA1019M	Quadrature
JT10.70MG1	10.70±0.03	-	-	1.0	CX20092	Quadrature
JT10.70MG16	10.70±0.03	300.0	Min. 60~ Max. 90	0.9	TA8122AN	Quadrature
JT10.70MG31	10.70±0.03	300.0	50.0	1.0	TA2003	Quadrature
JT10.70MG33	10.70±0.03	250.0	45.0	0.7	TA2007	Quadrature
JT10.70MG77	10.70±0.03	220.0	60.0	1.0	TA2111AN	Quadrature
JT10.70MG80	10.70±0.03	700.0	65.0	1.0	TA2104AFN	Quadrature
JT10.70MG82	10.70±0.03	320.0	90.0	0.8	TA2099N	Quadrature
JT10.70MG92	10.70±0.03	300.0	60.0	1.0	TA2132P	Quadrature
Specification	10.64±0.03MHz	10.67±0.03MHz	10.70±0.03MHz	10.73±0.03MHz	10.76±0.03MHz	
Color dot	D Black	B Blue	A Red	C Orange	E White	

- Other frequencies and specifications are also available upon request, please consult with our sales representatives.