

REV.	DESCRIPTION	DRAWN	CHECKED	APPROVED
A	NEW RELEASE	HP 17/06/05		

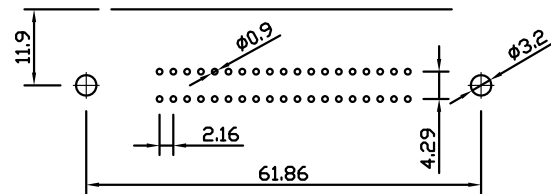
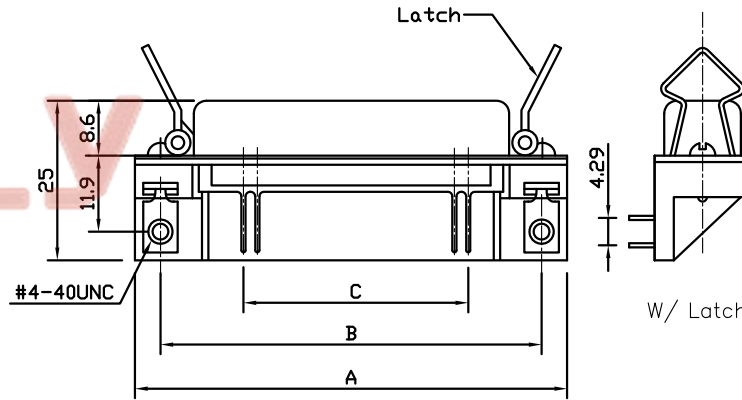
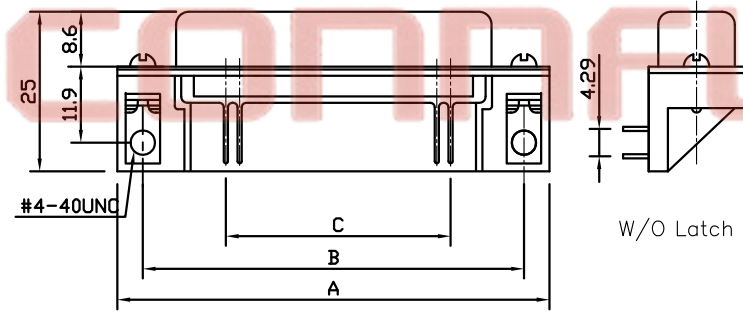
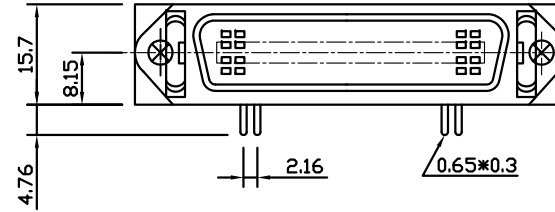
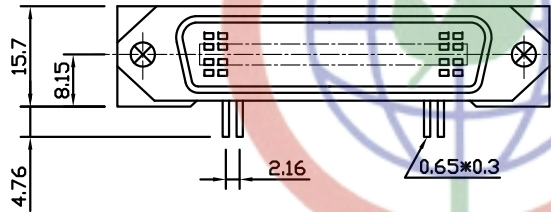
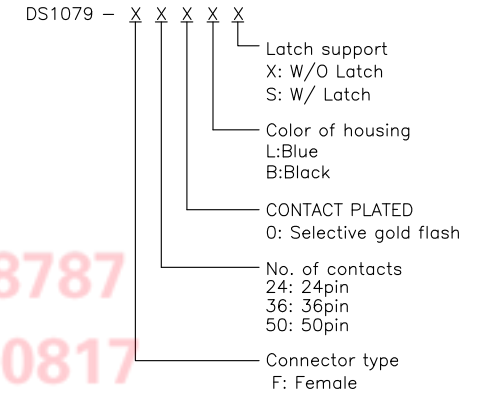
NOTES:

- MATERIALS
 - Insulator: PBT+30% Glass Fiber(UL 94V-0)
 - Contact: Copper alloy
 - Shell: Steel
 - Latch: Stainless steel
- SPECIFICATION
 - Current Rating: 3A
 - Dielectric withstanding voltage: 500V For 1 minute
 - Insulator Resistance: 1000MΩ min
 - Temperature Range: -40°C ~ +105°C

3. FEATURES

- Low cost, high density PCB mounted connector will mate to other ribbon type connectors
- One piece connector design reduce installation time up to 2/3 for lowest installed cost benefits

4. PRODUCT NUMBER CODE:



(TOLERANCE=±0.05)
RECOMMEND PCB LAYOUT

Shell Size	A	B	C
36pin	67.7	59.7	36.72
50pin	82.8	74.9	51.84

GENERAL TOLERANCE	ANGLE TOLERANCE	PROJECTION	TITLE
X. ±0.60	X. ±5°		CENTRONIC CONNECTOR RIGHT ANGLE
.X ±0.38	.X ±3°	mm	SERIES DS1079
.XX ±0.25	.XX ±2°	A4	
DRAWING TYPE	CUSTOMER		
SCALE 1:1	SHEET 1 OF 1	晨翔电子有限公司	
DRAWING NO. C-DS1079-XXXXX		CONNFLY CONNFLY ELECTRONIC CO. LTD	

Tel:86-574-63508787
 Fax:86-574-63510817
 E-mail:sale@zhenqin.com.cn
 Http://www.connfly.com
 Add:East Industry Zone KuangYan
 Town Ningbo China
 P.C315333