



# SDS74 SERIES ~ SMD Shielded Power Inductors



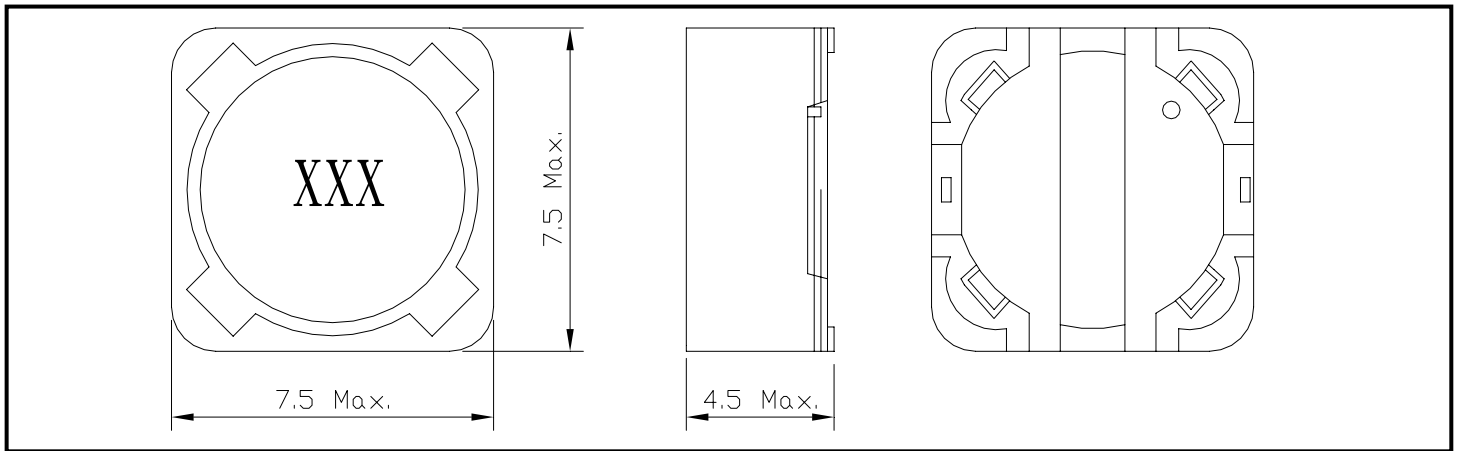
RoHS Compliant

## PART NUMBERING SYSTEM

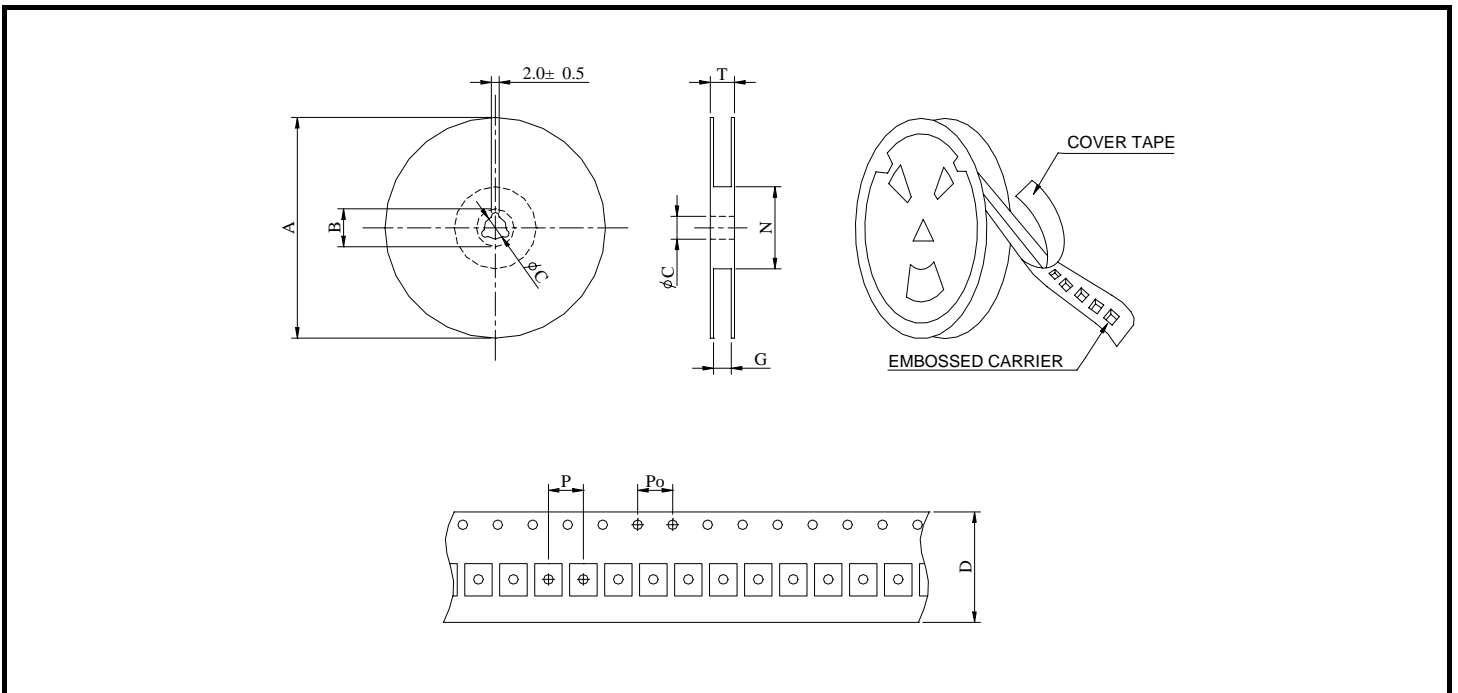
<u>SDS</u>	<u>7 4</u>	—	<u>1 0 0 M</u>	—	<u>LF</u>
TYPE	DIMENSIONS		INDUCTANCE		LEAD FREE

## SHAPES AND DIMENSIONS

UNIT : mm



## PACKAGING SPECIFICATION



SERIES	STAYLE	Q' TY (PCS)	DIMENSIONS (m/m)								
			A	B±0.8	C±0.5	D	G <sup>+0</sup>	N <sup>0</sup>	P	Po	T
SDS74	13-16	1000	330	21	13	16	18	50	8	4	22.4



**Coilmaster Electronics Co., Ltd.**

9F-3 No.398, Huan Bei Rd. Chung Li City, Taoyuan 320, Taiwan  
Tel : +886-3-422-8279 Fax : +886-3-422-8734

E-mail : [info@coilmaster.com.tw](mailto:info@coilmaster.com.tw)

Web Site : [www.coilmaster.com.tw](http://www.coilmaster.com.tw)

## SDS74 SERIES ~ SMD Shielded Power Inductors



RoHS Compliant

### SPECIFICATION TABLE

PART NUMBER	INDUCTANCE ( $\mu$ H)	DCR ( $\Omega$ ) (Max.)	IDC (A) (Max.)	TEST FREQ. ( f )
SDS74-100M-LF	10 $\pm$ 20%	0.049	1.84	1KHz
SDS74-120M-LF	12 $\pm$ 20%	0.058	1.71	1KHz
SDS74-150M-LF	15 $\pm$ 20%	0.081	1.47	1KHz
SDS74-180M-LF	18 $\pm$ 20%	0.091	1.31	1KHz
SDS74-220M-LF	22 $\pm$ 20%	0.110	1.23	1KHz
SDS74-270M-LF	27 $\pm$ 20%	0.150	1.12	1KHz
SDS74-330M-LF	33 $\pm$ 20%	0.170	0.96	1KHz
SDS74-390M-LF	39 $\pm$ 20%	0.230	0.91	1KHz
SDS74-470M-LF	47 $\pm$ 20%	0.260	0.88	1KHz
SDS74-560M-LF	56 $\pm$ 20%	0.350	0.75	1KHz
SDS74-680M-LF	68 $\pm$ 20%	0.380	0.69	1KHz
SDS74-820M-LF	82 $\pm$ 20%	0.430	0.61	1KHz
SDS74-101M-LF	100 $\pm$ 20%	0.610	0.60	1KHz
SDS74-121M-LF	120 $\pm$ 20%	0.660	0.52	1KHz
SDS74-151M-LF	150 $\pm$ 20%	0.880	0.46	1KHz
SDS74-181M-LF	180 $\pm$ 20%	0.980	0.42	1KHz
SDS74-221M-LF	220 $\pm$ 20%	1.170	0.36	1KHz
SDS74-271M-LF	270 $\pm$ 20%	1.640	0.34	1KHz
SDS74-331M-LF	330 $\pm$ 20%	1.860	0.32	1KHz
SDS74-391M-LF	390 $\pm$ 20%	2.850	0.29	1KHz
SDS74-471M-LF	470 $\pm$ 20%	3.010	0.26	1KHz
SDS74-561M-LF	560 $\pm$ 20%	3.620	0.23	1KHz
SDS74-681M-LF	680 $\pm$ 20%	4.630	0.22	1KHz
SDS74-821M-LF	820 $\pm$ 20%	5.200	0.20	1KHz
SDS74-102M-LF	1000 $\pm$ 20%	6.000	0.18	1KHz

- DC current at which the inductance drops 25% (typ) from its value without current.
- Operating temperature range -40°C to +85°C .
- Electrical specifications at 20°C .