



# SDB312F SERIES - Low Profile SMD Power Inductors

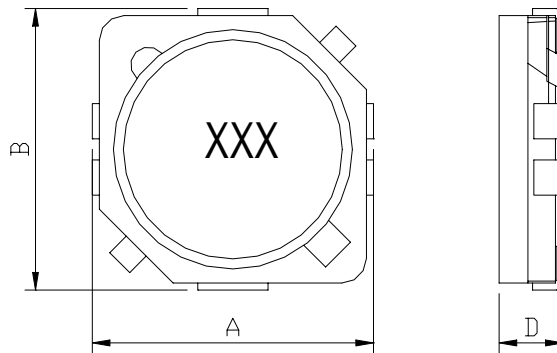


## PART NUMBERING SYSTEM

<b>SDB</b>	<b>3 1 2 F</b>	-	<b>6 R 8 M</b>	-	<b>LF</b>
TYPE	DIMENSIONS		INDUCTANCE		LEAD FREE

## SHAPES AND DIMENSIONS

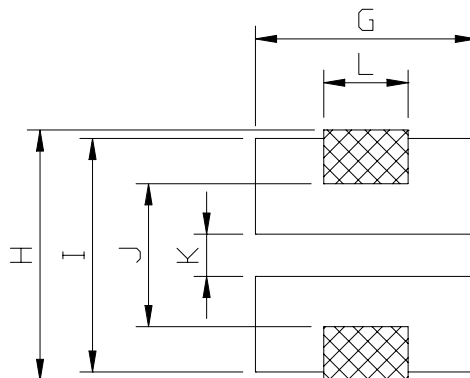
UNIT : mm



**A=3.8 Max. B=3.8 Max. D=1.2 Max.**

## RECOMMENDED PATTERNS

UNIT : mm



**G= 3.6 H= 4.2 I= 3.6 J= 2.0 K= 0.5 L= 1.4**



## SDB312F SERIES - Low Profile SMD Power Inductors



RoHS Compliant

### SPECIFICATION TABLE

PART NUMBER	INDUCTANCE ( $\mu$ H)	DCR (m $\Omega$ ) (max)	Isat ( A ) (max)	Irms ( A ) (max)	TEST FREQ. ( f )
SDB312F-1R0N-LF	1.0 $\pm$ 30%	100	1.77	1.57	100KHz
SDB312F-1R5M-LF	1.5 $\pm$ 20%	120	1.29	1.18	100KHz
SDB312F-2R2M-LF	2.2 $\pm$ 20%	140	1.14	1.06	100KHz
SDB312F-2R7M-LF	2.7 $\pm$ 20%	180	0.98	0.97	100KHz
SDB312F-3R3M-LF	3.3 $\pm$ 20%	200	0.90	0.95	100KHz
SDB312F-39M-LF	3.9 $\pm$ 20%	230	0.83	0.92	100KHz
SDB312F-4R7M-LF	4.7 $\pm$ 20%	240	0.79	0.88	100KHz
SDB312F-6R8M-LF	6.8 $\pm$ 20%	310	0.68	0.85	100KHz
SDB312F-8R2M-LF	8.2 $\pm$ 20%	430	0.62	0.67	100KHz
SDB312F-100M-LF	10.0 $\pm$ 20%	480	0.56	0.64	100KHz
SDB312F-120M-LF	12.0 $\pm$ 20%	660	0.50	0.51	100KHz
SDB312F-150M-LF	15.0 $\pm$ 20%	800	0.45	0.50	100KHz
SDB312F-220M-LF	22.0 $\pm$ 20%	1140	0.38	0.39	100KHz
SDB312F-270M-LF	27.0 $\pm$ 20%	1370	0.33	0.38	100KHz
SDB312F-330M-LF	33.0 $\pm$ 20%	1470	0.32	0.37	100KHz
SDB312F-390M-LF	39.0 $\pm$ 20%	1770	0.29	0.36	100KHz
SDB312F-470M-LF	47.0 $\pm$ 20%	2140	0.26	0.33	100KHz
SDB312F-680M-LF	68.0 $\pm$ 20%	3330	0.21	0.25	100KHz

- Inductance measured at 100 kHz, 0.1 Vrms using a Coilcraft SMD fixture in an Agilent/HP 4284A or equivalent.
- Isat: DC current at which the inductance drops 30% (typ) from its value without current.
- Irms: Temperature Rise current at 40°C max. ( t ) from +25°C ambient.
- Storage and ambient operating temperature range -40°C to +85°C.
- Electrical specifications at 25°C.

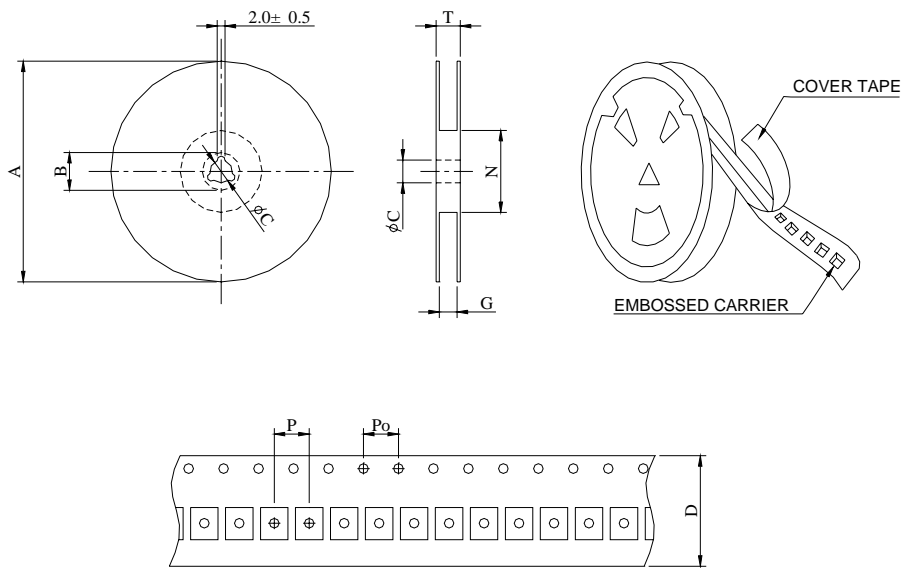


## SDB312F SERIES - Low Profile SMD Power Inductors



RoHS Compliant

### PACKAGING SPECIFICATION



SERIES	STAYLE	Q ' TY (PCS)	DIMENSIONS (m/m)								
			A	B±0.8	C±0.5	D	G <sup>+0</sup>	N <sup>-0</sup>	P	Po	T
SDB312F	13-16	2000	330	21	13	16	18	50	8	4	22.4