



# SDB0705 SERIES - SMD Power Inductors

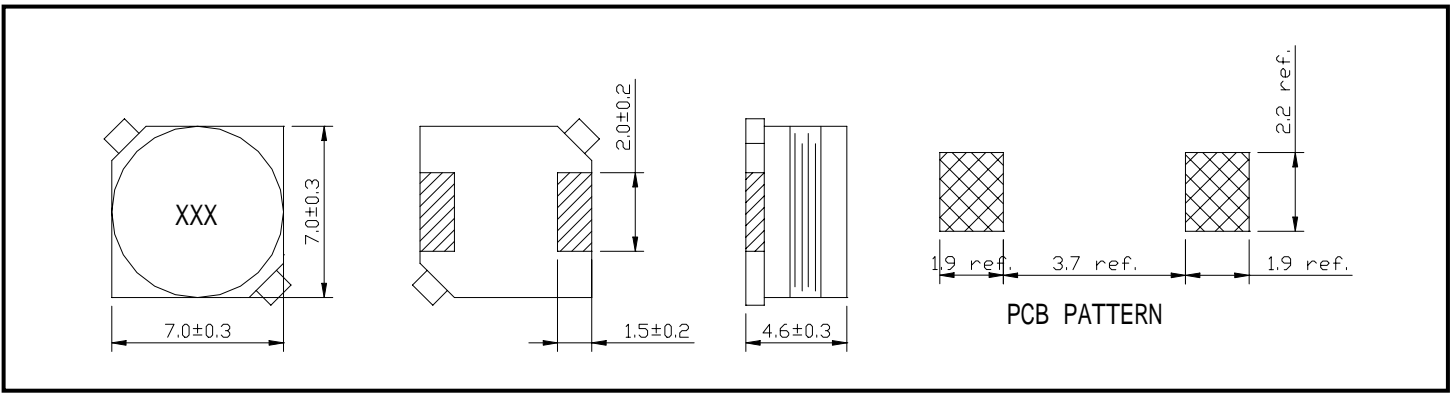


## PART NUMBERING SYSTEM

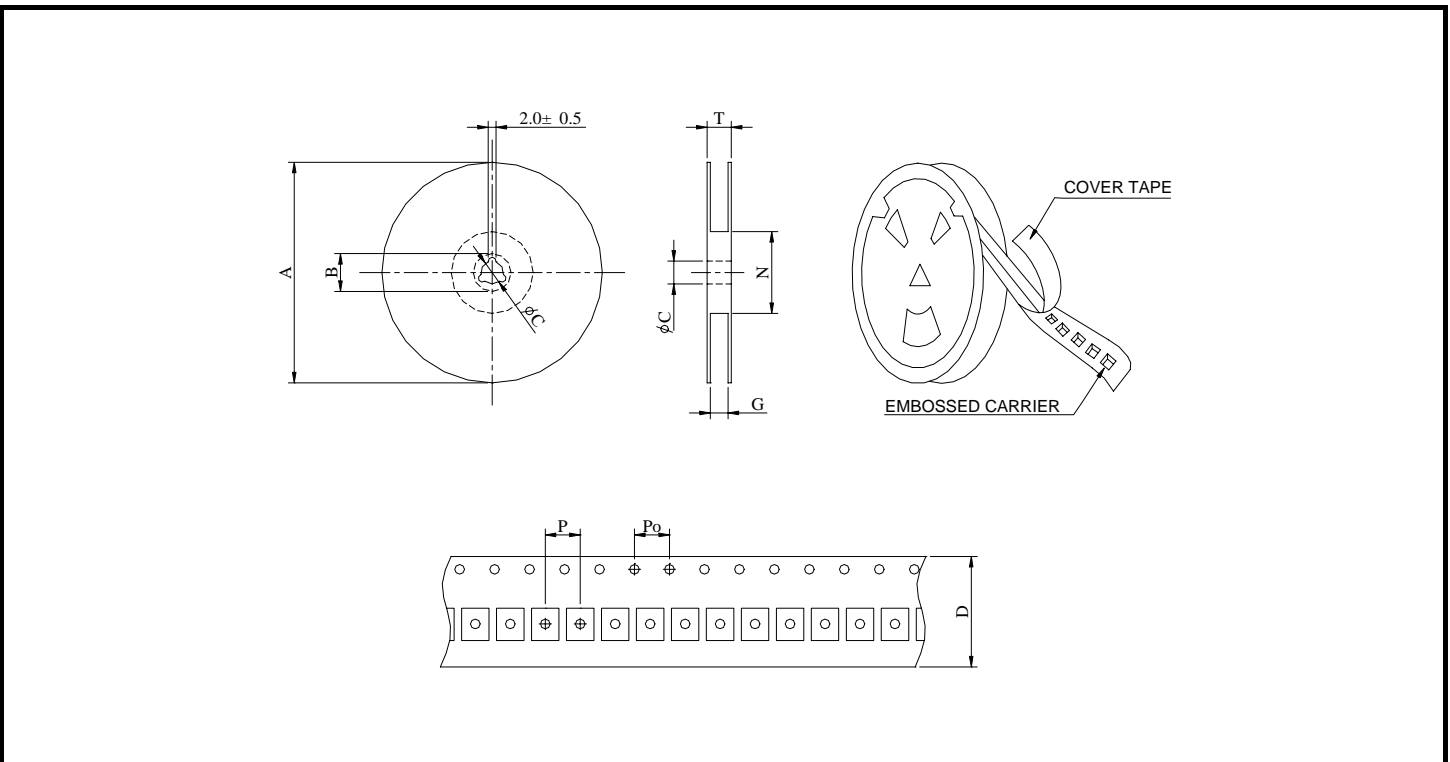
<b>SDB</b>	<b>0705</b>	<b>-</b>	<b>1R0M</b>	<b>- LF</b>
TYPE	DIMENSIONS		INDUCTANCE	LEAD FREE

## SHAPES AND DIMENSIONS

UNIT : mm



## PACKAGING SPECIFICATION



SERIES	STAYLE	Q ' TY (PCS)	DIMENSIONS (m/m)								
			A	B±0.8	C±0.5	D	G <sup>+0</sup>	N <sup>0</sup>	P	Po	T
<b>SDB0705</b>	13-16	1000	330	21	13	16	18	50	12	4	22.4



## SDB0705 SERIES - SMD Power Inductors



### SPECIFICATION TABLE

PART NUMBER	INDUCTANCE ( $\mu$ H)	DCR ( ) (Max.)	IDC ( A ) (Max.)	TEST FREQ. ( f )
SDB0705-1R0M-LF	1.0 $\pm$ 20%	0.023	3.50	100KHz
SDB0705-1R8M-LF	1.8 $\pm$ 20%	0.028	3.20	100KHz
SDB0705-2R2M-LF	2.2 $\pm$ 20%	0.033	3.00	100KHz
SDB0705-3R3M-LF	3.3 $\pm$ 20%	0.040	2.70	100KHz
SDB0705-4R7M-LF	4.7 $\pm$ 20%	0.050	2.50	100KHz
SDB0705-6R8M-LF	6.8 $\pm$ 20%	0.060	2.20	100KHz
SDB0705-100M-LF	10 $\pm$ 20%	0.075	2.00	100KHz
SDB0705-120M-LF	12 $\pm$ 20%	0.085	1.90	100KHz
SDB0705-150M-LF	15 $\pm$ 20%	0.090	1.50	100KHz
SDB0705-180M-LF	18 $\pm$ 20%	0.100	1.40	100KHz
SDB0705-220M-LF	22 $\pm$ 20%	0.120	1.30	100KHz
SDB0705-270M-LF	27 $\pm$ 20%	0.150	1.20	100KHz
SDB0705-330M-LF	33 $\pm$ 20%	0.180	1.10	100KHz
SDB0705-390M-LF	39 $\pm$ 20%	0.190	1.00	100KHz
SDB0705-470M-LF	47 $\pm$ 20%	0.220	0.90	100KHz
SDB0705-560M-LF	56 $\pm$ 20%	0.250	0.85	100KHz
SDB0705-680M-LF	68 $\pm$ 20%	0.270	0.80	100KHz
SDB0705-820M-LF	82 $\pm$ 20%	0.380	0.70	100KHz
SDB0705-101M-LF	100 $\pm$ 20%	0.420	0.65	100KHz
SDB0705-121M-LF	120 $\pm$ 20%	0.520	0.60	100KHz
SDB0705-151M-LF	150 $\pm$ 20%	0.580	0.50	100KHz
SDB0705-181M-LF	180 $\pm$ 20%	0.650	0.45	100KHz
SDB0705-221M-LF	220 $\pm$ 20%	0.880	0.40	100KHz
SDB0705-271M-LF	270 $\pm$ 20%	0.990	0.35	100KHz
SDB0705-331M-LF	330 $\pm$ 20%	1.100	0.32	100KHz
SDB0705-391M-LF	390 $\pm$ 20%	1.400	0.30	100KHz
SDB0705-471M-LF	470 $\pm$ 20%	1.900	0.28	100KHz
SDB0705-561M-LF	560 $\pm$ 20%	2.200	0.25	100KHz
SDB0705-681M-LF	680 $\pm$ 20%	2.500	0.22	100KHz
SDB0705-821M-LF	820 $\pm$ 20%	2.900	0.20	100KHz
SDB0705-102M-LF	1000 $\pm$ 20%	4.000	0.18	100KHz

DC current at which the inductance drops 10% (typ) from its value without current.  
 Operating temperature range -40°C to +85°C  
 Electrical specifications at 25°C.