



Coilmaster Electronics Co., Ltd.

9F-3 No.398, Huan Bei Rd. Chung Li City, Taoyuan 320, Taiwan
 Tel : +886-3-422-8279 Fax : +886-3-422-8734

E-mail : info@coilmaster.com.tw

Web Site : www.coilmaster.com.tw

RCB0912 SERIES



RoHS Compliant

PART NUMBERING SYSTEM

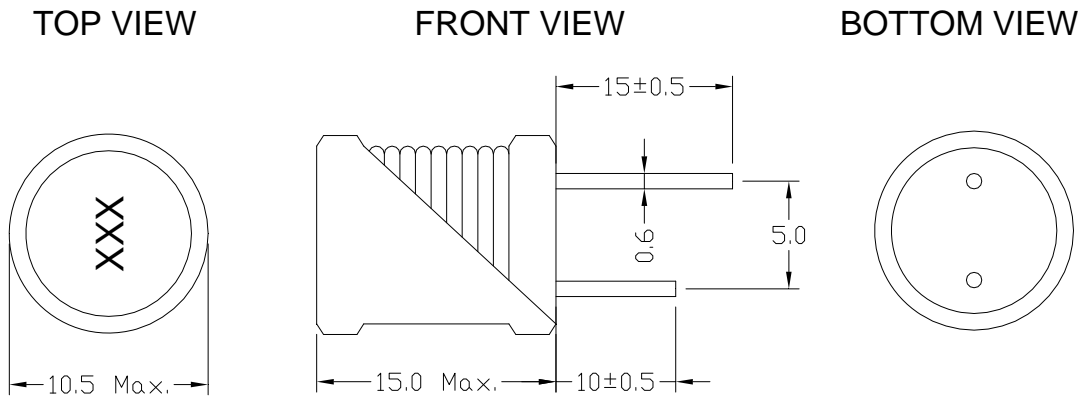
RCB	0 9 1 2 U	—	100K	—	LF
TYPE	DIMENSIONS		INDUCTANCE		LEAD FREE

U : UL Tube

P : PET Tube

SHAPES AND DIMENSIONS

UNIT : mm



STRUCTURAL DIAGRAM :

	COMPONENT	MATERIALS
	1.Core	Ferrite core
	2.Wire	Polyurethane enameled copper wires
	3.Lead wire	Tinned copper wires
	4.Tube	Heat shrinkable tube, PET or UL
	5.Glue	Epoxy resin



Coilmaster Electronics Co., Ltd.

9F-3 No.398, Huan Bei Rd. Chung Li City, Taoyuan 320, Taiwan
Tel : +886-3-422-8279 Fax : +886-3-422-8734

E-mail : info@coilmaster.com.tw

Web Site : www.coilmaster.com.tw

RCB0912 SERIES



RoHS Compliant

SPECIFICATION TABLE

PART NUMBER	INDUCTANCE (μ H)	Q (min)	DCR (Ω) (max)	IDC (mA) (max)	SRF(MHz) (min)	TEST FREQ. (f)
RCB0912-100K-LF	10	110	0.04	2800	24	2.52MHz
RCB0912-120K-LF	12	110	0.04	2700	18	2.52MHz
RCB0912-150K-LF	15	110	0.05	2300	11	2.52MHz
RCB0912-180K-LF	18	90	0.06	2100	8.4	2.52MHz
RCB0912-220K-LF	22	90	0.07	2000	9.2	2.52MHz
RCB0912-270K-LF	27	90	0.10	1700	7.1	2.52MHz
RCB0912-330K-LF	33	90	0.12	1500	7.1	2.52MHz
RCB0912-390K-LF	39	80	0.12	1400	6.9	2.52MHz
RCB0912-470K-LF	47	70	0.13	1300	6.0	2.52MHz
RCB0912-560K-LF	56	70	0.14	1200	5.7	2.52MHz
RCB0912-680K-LF	68	60	0.15	1000	5.4	2.52MHz
RCB0912-820K-LF	82	50	0.16	900	4.6	2.52MHz
RCB0912-101K-LF	100	60	0.25	700	4.0	796KHz
RCB0912-121K-LF	120	60	0.28	700	3.6	796KHz
RCB0912-151K-LF	150	55	0.32	700	3.1	796KHz
RCB0912-181K-LF	180	55	0.47	600	2.8	796KHz
RCB0912-221K-LF	220	55	0.53	500	2.5	796KHz
RCB0912-271K-LF	270	50	0.60	450	2.4	796KHz
RCB0912-331K-LF	330	50	0.85	400	2.0	796KHz
RCB0912-391K-LF	390	50	0.95	350	2.1	796KHz
RCB0912-471K-LF	470	40	1.1	350	1.9	796KHz
RCB0912-561K-LF	560	30	1.2	300	1.8	796KHz
RCB0912-681K-LF	680	30	1.3	250	1.7	796KHz
RCB0912-821K-LF	820	30	1.4	200	1.5	796KHz
RCB0912-102K-LF	1000	70	2.0	200	1.1	252KHz
RCB0912-122K-LF	1200	70	2.3	180	1.0	252KHz



Coilmaster Electronics Co., Ltd.

9F-3 No.398, Huan Bei Rd. Chung Li City, Taoyuan 320, Taiwan
Tel : +886-3-422-8279 Fax : +886-3-422-8734

E-mail : info@coilmaster.com.tw

Web Site : www.coilmaster.com.tw

RCB0912 SERIES



RoHS Compliant

SPECIFICATION TABLE

PART NUMBER	INDUCTANCE (μ H)	Q (min)	DCR (Ω) (max)	IDC (mA) (max)	SRF(MHz) (min)	TEST FREQ. (f)
RCB0912-152K-LF	1500	70	2.9	150	1.0	252KHz
RCB0912-182K-LF	1800	70	3.3	120	0.9	252KHz
RCB0912-222K-LF	2200	70	4.5	110	0.7	252KHz
RCB0912-272K-LF	2700	70	5.5	90	0.7	252KHz
RCB0912-332K-LF	3300	60	5.7	80	0.6	252KHz
RCB0912-392K-LF	3900	60	6.5	80	0.6	252KHz
RCB0912-472K-LF	4700	60	7.2	60	0.6	252KHz
RCB0912-562K-LF	5600	60	9.5	50	0.5	252KHz
RCB0912-682K-LF	6800	60	11	50	0.5	252KHz
RCB0912-822K-LF	8200	50	13	50	0.4	252KHz
RCB0912-103K-LF	10000	120	16	40	0.3	79.6KHz
RCB0912-123K-LF	12000	120	18	40	0.3	79.6KHz
RCB0912-153K-LF	15000	110	21	40	0.3	79.6KHz
RCB0912-183K-LF	18000	110	23	40	0.3	79.6KHz
RCB0912-223K-LF	22000	110	33	35	0.2	79.6KHz
RCB0912-273K-LF	27000	100	37	35	0.2	79.6KHz
RCB0912-333K-LF	33000	90	42	35	0.2	79.6KHz
RCB0912-393K-LF	39000	90	45	30	0.2	79.6KHz
RCB0912-473K-LF	47000	80	52	30	0.2	79.6KHz

1. Operating temperature range -40°C to $+85^{\circ}\text{C}$
2. Electrical specifications at 25°C