



MW4532C SERIES ~ Shielded Chip Inductors

Wire Wound Chip Inductors Large Current



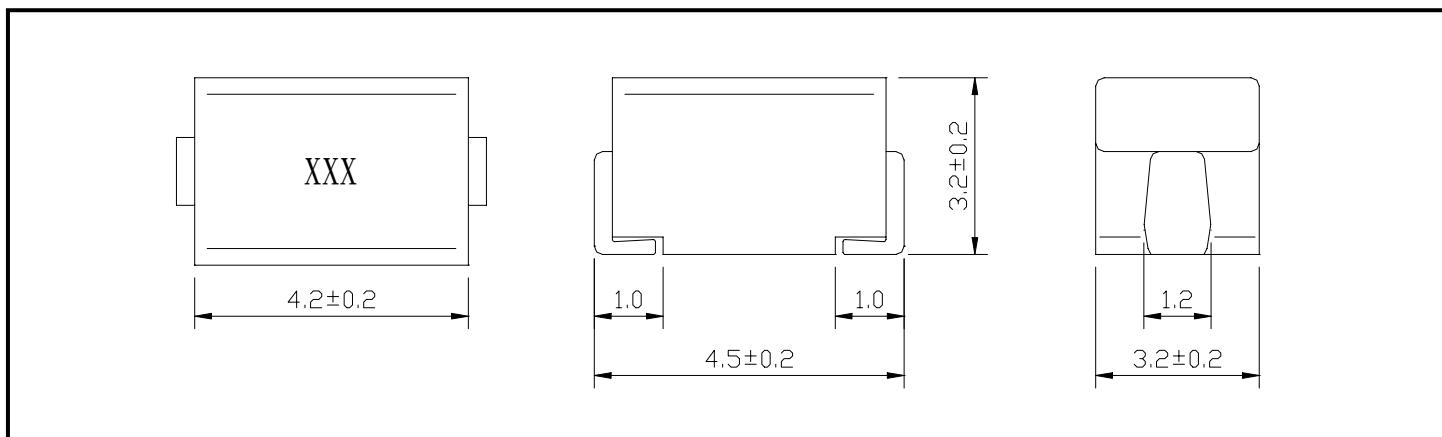
RoHS Compliant

PART NUMBERING SYSTEM

| | | | | | |
|-----------|------------------|---|----------------|---|-----------|
| <u>MW</u> | <u>4 5 3 2 C</u> | — | <u>R 1 0 M</u> | — | <u>LF</u> |
| TYPE | DIMENSIONS | | INDUCTANCE | | LEAD FREE |

SHAPES AND DIMENSIONS

UNIT : mm



SPECIFICATION TABLE

| PART NUMBER | INDUCTANCE (μ H) | Q. MIN. | TEST FREQ (MHz) | SRF (MHz) MIN. | DCR (Ω) (max) | IDC (mA) (max) |
|-----------------|--------------------------|------------|--------------------|-------------------|---------------------------|-------------------|
| MW4532C-1R0K-LF | 1.0 \pm 10% | 10 | 7.96 | 200 | 0.11 | 1050 |
| MW4532C-1R2K-LF | 1.2 \pm 10% | 10 | 7.96 | 160 | 0.12 | 1000 |
| MW4532C-1R5K-LF | 1.5 \pm 10% | 10 | 7.96 | 130 | 0.15 | 950 |
| MW4532C-1R8K-LF | 1.8 \pm 10% | 10 | 7.96 | 100 | 0.16 | 900 |
| MW4532C-2R2K-LF | 2.2 \pm 10% | 10 | 7.96 | 80 | 0.18 | 850 |
| MW4532C-2R7K-LF | 2.7 \pm 10% | 10 | 7.96 | 60 | 0.20 | 800 |
| MW4532C-3R3K-LF | 3.3 \pm 10% | 10 | 7.96 | 45 | 0.22 | 750 |
| MW4532C-3R9K-LF | 3.9 \pm 10% | 10 | 7.96 | 40 | 0.24 | 700 |
| MW4532C-4R7K-LF | 4.7 \pm 10% | 10 | 7.96 | 35 | 0.27 | 650 |
| MW4532C-5R6K-LF | 5.6 \pm 10% | 10 | 7.96 | 30 | 0.30 | 650 |
| MW4532C-6R8K-LF | 6.8 \pm 10% | 10 | 7.96 | 28 | 0.35 | 600 |
| MW4532C-8R2K-LF | 8.2 \pm 10% | 10 | 7.96 | 25 | 0.40 | 600 |



MW4532C SERIES ~ Shielded Chip Inductors

Wire Wound Chip Inductors Large Current



SPECIFICATION TABLE

| PART NUMBER | INDUCTANCE (μ H) | Q. MIN. | TEST FREQ (MHz) | SRF (MHz) MIN. | DCR (Ω) (max) | IDC(mA) (max) |
|-----------------|--------------------------|------------|--------------------|-------------------|---------------------------|------------------|
| MW4532C-100K-LF | 10.0 \pm 10% | 10 | 2.52 | 22 | 0.50 | 550 |
| MW4532C-120K-LF | 12.0 \pm 10% | 10 | 2.52 | 21 | 0.60 | 500 |
| MW4532C-150K-LF | 15.0 \pm 10% | 10 | 2.52 | 20 | 0.70 | 450 |
| MW4532C-180K-LF | 18.0 \pm 10% | 10 | 2.52 | 19 | 0.80 | 400 |
| MW4532C-220K-LF | 22.0 \pm 10% | 10 | 2.52 | 18 | 0.90 | 370 |
| MW4532C-270K-LF | 27.0 \pm 10% | 10 | 2.52 | 16 | 1.2 | 330 |
| MW4532C-330K-LF | 33.0 \pm 10% | 10 | 2.52 | 14 | 1.4 | 300 |
| MW4532C-390K-LF | 39.0 \pm 10% | 10 | 2.52 | 12 | 1.6 | 280 |
| MW4532C-470K-LF | 47.0 \pm 10% | 10 | 2.52 | 11.5 | 1.9 | 260 |
| MW4532C-560K-LF | 56.0 \pm 10% | 10 | 2.52 | 11.0 | 2.2 | 240 |
| MW4532C-680K-LF | 68.0 \pm 10% | 10 | 2.52 | 10.0 | 2.6 | 220 |
| MW4532C-820K-LF | 82.0 \pm 10% | 10 | 2.52 | 9.0 | 3.5 | 200 |
| MW4532C-101K-LF | 100 \pm 10% | 20 | 0.796 | 8.0 | 4.0 | 180 |
| MW4532C-121K-LF | 120 \pm 10% | 20 | 0.796 | 7.5 | 4.5 | 160 |
| MW4532C-151K-LF | 150 \pm 10% | 20 | 0.796 | 7.0 | 6.5 | 140 |
| MW4532C-181K-LF | 180 \pm 10% | 20 | 0.796 | 6.5 | 7.5 | 120 |
| MW4532C-221K-LF | 220 \pm 10% | 20 | 0.796 | 5.5 | 9 | 120 |
| MW4532C-271K-LF | 270 \pm 10% | 20 | 0.796 | 5.0 | 11 | 100 |
| MW4532C-331K-LF | 330 \pm 10% | 20 | 0.796 | 4.0 | 13 | 90 |
| MW4532C-391K-LF | 390 \pm 10% | 20 | 0.796 | 3.8 | 23 | 80 |
| MW4532C-471K-LF | 470 \pm 10% | 20 | 0.796 | 3.5 | 26 | 75 |
| MW4532C-561K-LF | 560 \pm 10% | 20 | 0.796 | 2.8 | 30 | 70 |
| MW4532C-681K-LF | 680 \pm 10% | 20 | 0.796 | 2.6 | 40 | 65 |
| MW4532C-821K-LF | 820 \pm 10% | 20 | 0.796 | 2.5 | 45 | 60 |
| MW4532C-102K-LF | 1000 \pm 10% | 20 | 0.796 | 2.3 | 50 | 55 |



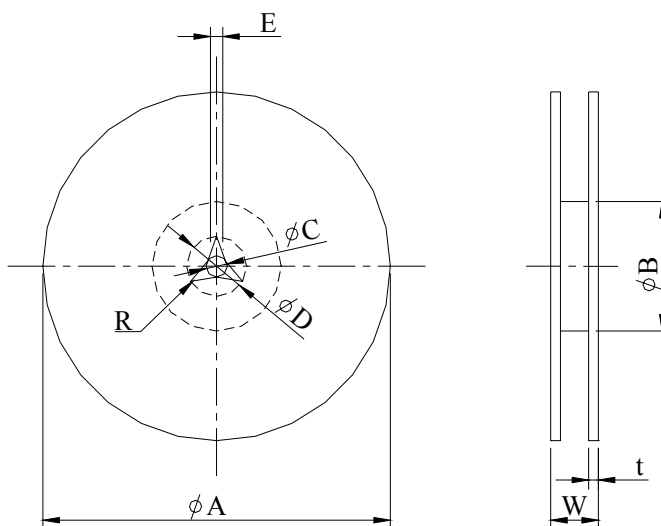
MW4532C SERIES ~ Shielded Chip Inductors

Wire Wound Chip Inductors Large Current

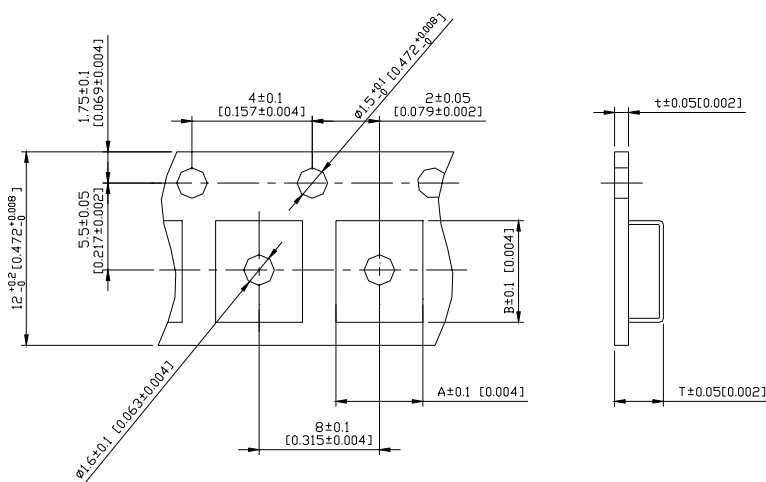


RoHS Compliant

PACKAGING SPECIFICATION



| | A | B | C | D | E | W8 | W12 | t | R |
|--------------------------|--------------------|--------------------|---------------------|---------------------|---|--------------|----------------|----------------|---|
| T(ϕ 178mm) Reel | ϕ 178 \pm 2 | ϕ 60 \pm 1 | ϕ 13 \pm 0.8 | ϕ 21 \pm 0.8 | 2 | 10 \pm 1.5 | 14.5 \pm 1.5 | 1.27 \pm 0.2 | 1 |
| T(ϕ 330mm) Reel | ϕ 330 \pm 2 | ϕ 100 \pm 2 | ϕ 13 \pm 0.8 | ϕ 21 \pm 0.8 | 2 | 10 \pm 1.5 | 14.5 \pm 1.5 | 1.27 \pm 0.2 | 1 |



| TYPE | A | B | T | t | T(ϕ 178mm) | T(ϕ 330mm) |
|---------|------|------|------|-----|------------------|------------------|
| MW4532C | 3.60 | 4.90 | 2.05 | 0.3 | 500 pcs/reel | - |