



# ET24LF SERIES – Common Mode Choke Coil



RoHS Compliant

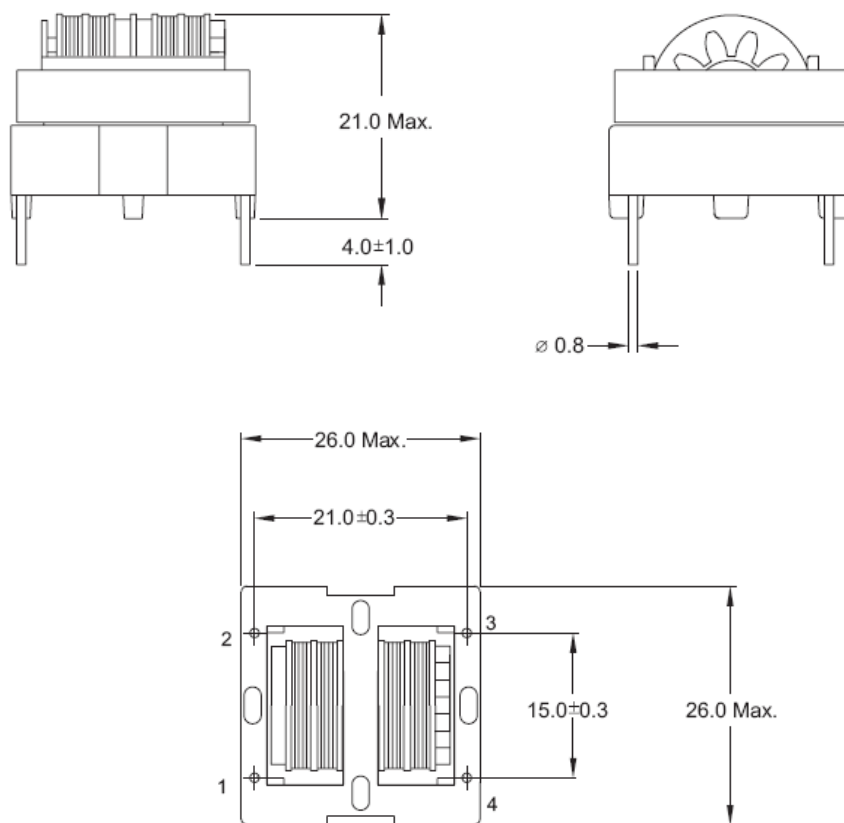
## AC Line Filters

### PART NUMBERING SYSTEM

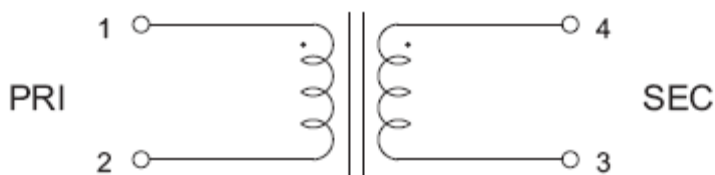
<b>ET</b>	<b>24LFH</b>	—	<b>782</b>	—	<b>LF</b>
TYPE	DIMENSIONS		IMPEDANCE		LEAD FREE

### SHAPES AND DIMENSIONS

UNIT : mm



Schematic :





## ET24LF SERIES – Common Mode Choke Coil

### AC Line Filters



RoHS Compliant

#### ELECTRICAL CHARACTERISTICS :

PART NUMBER	Common Mode Inductance ( mH )	RATED CURRENT (Aac)	DCR mohm ( V )	INSULATION RESISTANCE ( M ohm )
ET24LFH-232-LF	2.30min.	2.4	87	100min.
ET24LFH-352-LF	3.50min.	2.0	115	100min.
ET24LFH-482-LF	4.80min.	1.5	155	100min.
ET24LFH-642-LF	6.40min.	1.4	220	100min.
ET24LFH-782-LF	7.80min.	1.1	250	100min.
ET24LFH-113-LF	11.0min.	1.0	360	100min.
ET24LFH-143-LF	14.0min.	0.9	490	100min.
ET24LFH-173-LF	17.0min.	0.6	550	100min.
ET24LFH-273-LF	27.0min.	0.5	930	100min.
ET24LFH-433-LF	43.0 min.	0.4	1390	100min.
ET24LFH-543-LF	54.0min.	0.3	1815	100min.
ET24LFH-623-LF	62.0min.	0.3	2015	100min.

- 1) Test Frequency : 40KHZ / 1V
- 2) Operating Temperature Range : -40°C to + 85 °C range is application specific.
- 3) Winding Temperature Rise (at Rated Current) : 60K max.
- 4) Packaging : Supplied in bulk packaging.