



AS0610 SERIES



PART NUMBERING SYSTEM

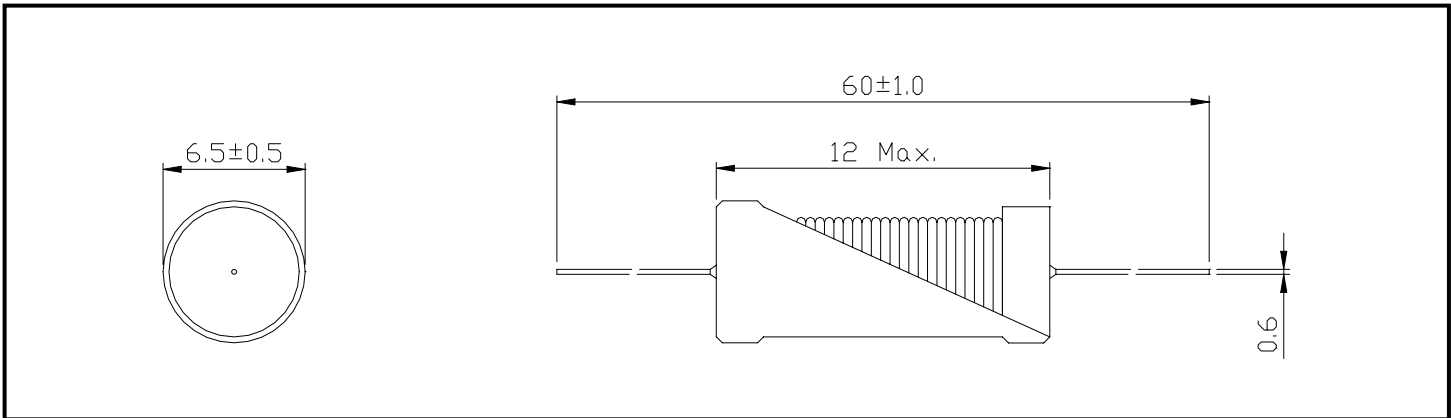
AS	0 6 1 0	—	1 R 0 M
TYPE	DIMENSIONS		INDUCTANCE

U : UL Tube

P : PVC Tube

SHAPES AND DIMENSIONS

UNIT : mm



STRUCTURAL DIAGRAM :

	COMPONENT	MATERIALS
	1.Core	Ferrite core
	2.Wire	Polyurethane enameled copper wires
	3.Lead wire	Tinned copper wires
	4.Tube	Heat shrinkable tube, PVC or UL
5.Glue	Epoxy resin	



AS0610 SERIES

SPECIFICATION TABLE

PART NUMBER	INDUCTANCE (μ H)	Q (min)	DCR (Ω) (max)	IDC (mA) (max)	SRF(MHz) (min)	TEST FREQ. (f)
AS0610-1R0M	1.0	100	0.02	2500	98	7.96MHz
AS0610-1R2M	1.2	100	0.02	2500	90	7.96MHz
AS0610-1R5M	1.5	100	0.02	2500	78	7.96MHz
AS0610-1R8M	1.8	100	0.02	2500	74	7.96MHz
AS0610-2R2M	2.2	100	0.02	2500	59	7.96MHz
AS0610-2R7M	2.7	100	0.02	2500	46	7.96MHz
AS0610-3R3M	3.3	100	0.02	2500	38	7.96MHz
AS0610-3R9M	3.9	90	0.03	2400	28	7.96MHz
AS0610-4R7M	4.7	90	0.04	2100	30	7.96MHz
AS0610-5R6M	5.6	90	0.04	1800	26	7.96MHz
AS0610-6R8M	6.8	90	0.05	1700	25	7.96MHz
AS0610-8R2M	8.2	80	0.05	1500	23	7.96MHz
AS0610-100K	10	80	0.07	1400	19	2.52MHz
AS0610-120K	12	80	0.08	1200	17	2.52MHz
AS0610-150K	15	80	0.09	1100	15	2.52MHz
AS0610-180K	18	80	0.11	1000	13	2.52MHz
AS0610-220K	22	70	0.13	900	13	2.52MHz
AS0610-270K	27	65	0.14	800	11	2.52MHz
AS0610-330K	33	60	0.16	700	10	2.52MHz
AS0610-390K	39	60	0.18	700	9.6	2.52MHz
AS0610-470K	47	60	0.22	600	8.8	2.52MHz
AS0610-560K	56	50	0.25	600	7.6	2.52MHz
AS0610-680K	68	40	0.28	500	7.5	2.52MHz
AS0610-820K	82	35	0.32	500	6.4	2.52MHz
AS0610-101K	100	35	0.42	400	5.8	796KHz
AS0610-121K	120	30	0.47	300	5.1	796KHz
AS0610-151K	150	30	0.58	300	4.9	796KHz
AS0610-181K	180	25	0.62	300	4.4	796KHz
AS0610-221K	220	25	0.89	260	3.8	796KHz
AS0610-271K	270	25	1.1	230	3.4	796KHz



AS0610 SERIES

SPECIFICATION TABLE

PART NUMBER	INDUCTANCE (μ H)	Q (min)	DCR (Ω) (max)	IDC (mA) (max)	SRF(MHz) (min)	TEST FREQ. (f)
AS0610-331K	330	25	1.2	210	3.1	796KHz
AS0610-391K	390	30	1.4	180	3.0	796KHz
AS0610-471K	470	30	1.5	170	2.8	796KHz
AS0610-561K	560	30	1.8	150	2.3	796KHz
AS0610-681K	680	30	1.9	140	2.1	796KHz
AS0610-821K	820	30	2.3	120	1.8	796KHz
AS0610-102K	1000	70	2.8	100	1.6	252KHz
AS0610-122K	1200	65	3.1	90	1.4	252KHz
AS0610-152K	1500	60	3.6	80	1.3	252KHz
AS0610-182K	1800	80	5.6	70	1.3	252KHz
AS0610-222K	2200	80	6.3	70	1.2	252KHz
AS0610-272K	2700	80	7.3	60	1.1	252KHz
AS0610-332K	3300	90	10	50	0.8	252KHz
AS0610-392K	3900	90	12	50	0.8	252KHz
AS0610-472K	4700	90	13	40	0.8	252KHz
AS0610-562K	5600	80	15	40	0.7	252KHz
AS0610-682K	6800	70	17	40	0.7	252KHz
AS0610-822K	8200	60	19	35	0.6	252KHz
AS0610-103K	10000	80	27	35	0.5	79.6KHz
AS0610-123K	12000	80	35	35	0.5	79.6KHz
AS0610-153K	15000	80	48	30	0.4	79.6KHz
AS0610-183K	18000	80	65	30	0.3	79.6KHz
AS0610-223K	22000	80	69	25	0.3	79.6KHz
AS0610-273K	27000	80	84	25	0.3	79.6KHz
AS0610-333K	33000	75	99	25	0.2	79.6KHz
AS0610-393K	39000	75	108	25	0.2	79.6KHz
AS0610-473K	47000	75	120	20	0.2	79.6KHz