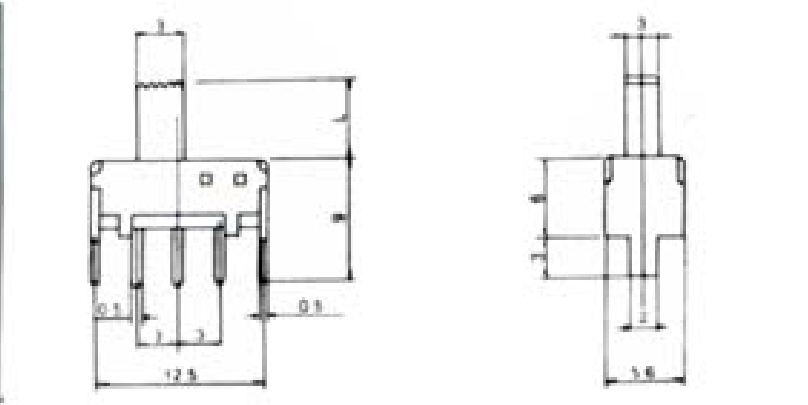


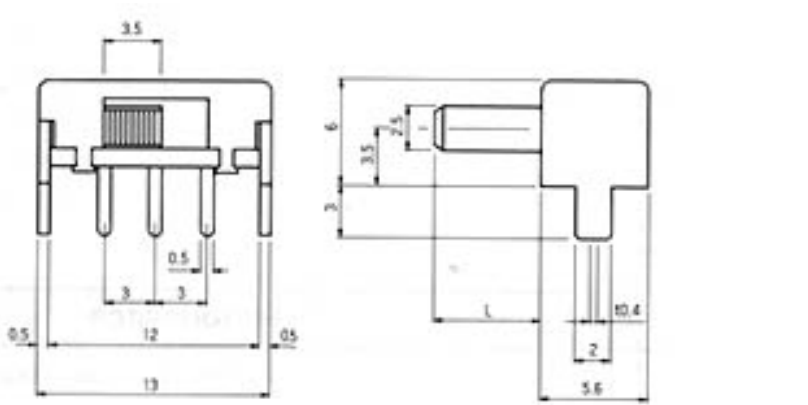
- 1. Rating: DC 30V, 0.2A
- 2. Circuit: 1C-2P
- 3. Timing: Non shorting of shorting
- 4. Travel: 3
- 5. Operating Force: 200±100gf
- 6. Terminal: Lead Wiring or P.C.Board terminal

MODEL NO.	L
YSS 1201 BO40	4
YSS 1201 BO55	5.5



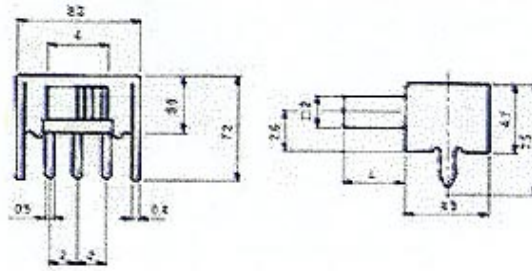
- 1. Rating: DC 50V, 0.3A
- 2. Circuit: 1C-2P
- 3. Timing: shorting of Non shorting
- 4. Terminal: P.C board Terminal
- 5. Travel: 3
- 6. Operating Force: 200±100gf

MODEL NO.	L
YSS 1202	4
YSS 1202A	6



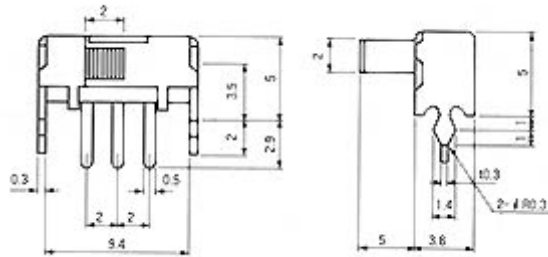
- 1. Rating : DC 30V, 0.2A
- 2. Circuit : 1C-2P
- 3. Timing :Shorting or Not Shorting
- 4. Terminal : P.C. Board Terminal
- 5. Travel : 2.5

MODEL	L
SS1206	3
SS1206A	6



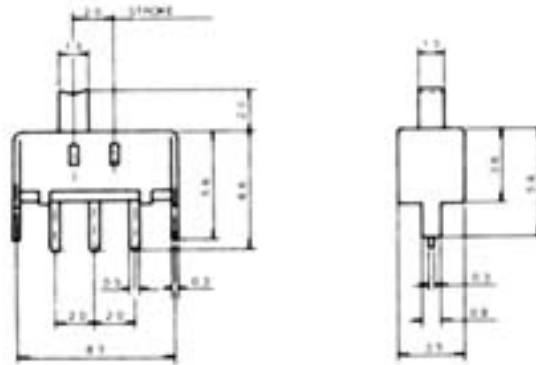
1. Rating : DC 30V, 0.2A
2. Circuit : 1C-2P
3. Timing :Not Shorting
4. Terminal : P.C. Board Terminal
5. Travel : 2.0

MODEL	L
SS1207	2
SS1207A	4



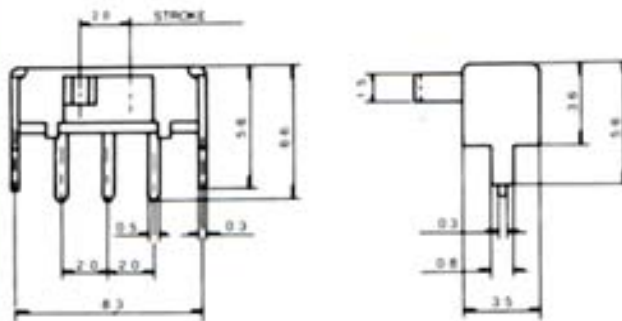
1. Rating : DC 30V, 0.2A
2. Circuit : 1C-2P
3. Timing :Not Shorting

4. Travel : 2.0
5. Operating Force:200±100gf
6. Terminal : P.C. Board Terminal



1. Rating: DC 50V, 0.3A
2. Circuit: 1C-2P
3. Operating Force: 250±100gf

4. Timing: Non shorting
5. Travel: 2+2
6. General Tolerance: ±0.3

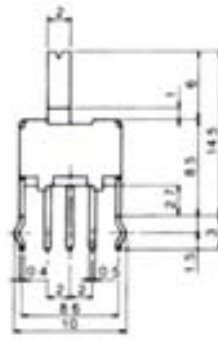


1. Rating: DC 50V, 0.3A
2. Circuit: 1C-2P
3. Operating Force: 250±100gf

4. Timing: Non shorting
5. Travel: 2+2
6. General Tolerance: ±0.3



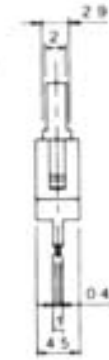
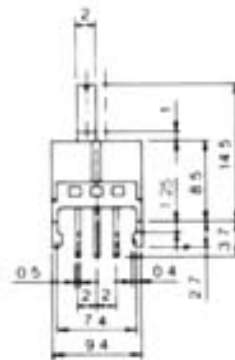
1. Rating: DC 12V, 0.1A
2. Circuit: 1C-2P
3. Timing: Non shorting



4. Travel: 2
5. Operating Force: 250±150gf
6. Terminal: P.C board Terminal



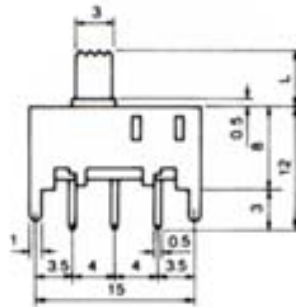
1. Rating: DC 12V, 0.1A
2. Circuit: 1C-2P
3. Timing: Non shorting



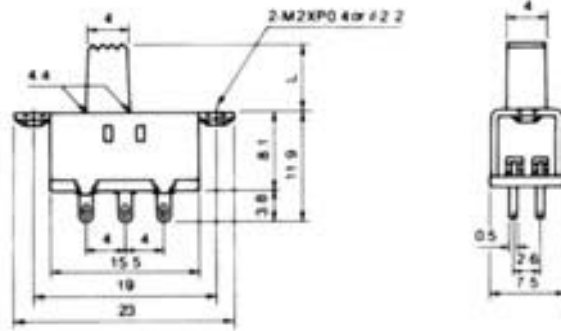
4. Travel: 2
5. Operating Force: 250±150gf
6. Terminal: P.C board Terminal



1. Rating: DC 30V, 0.2A
2. Circuit: 2C-2P
3. Timing: Non shorting
4. Travel: 4
5. Operating Force: 200₋₅₀⁺¹⁰⁰gf
6. Terminal: P.C board Terminal

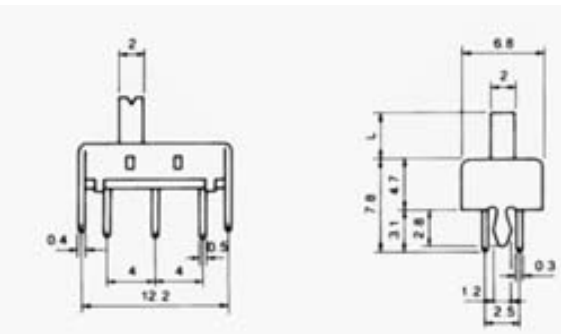


MODEL NO.	L
YSS 2201 SO30	3
YSS 2201 SO45	4.5
YSS 2201 SO60	6
YSS 2201 SO90	9
YSS 2201 SO120	12



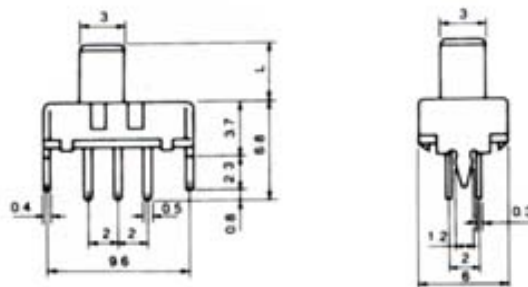
1. Rating: DC 30V, 0.3A
2. Circuit: 2C-2P
3. Timing: Non shorting of shorting
4. Travel: 3
5. Operating Force: 300±100 gf
6. Terminal: Lead Wiring or P.C. board Terminal

MODEL NO.	L
YSS 2202 BO50	5
YSS 2202 BO70	7.5
YSS 2202 BO90	9



1. Rating: DC 30V, 0.2A
2. Circuit: 2C-2P
3. Timing: Non shorting
4. Travel: 4
5. Operating Force: 250±100 gf
6. Terminal: P.C. board Terminal

MODEL NO.	L
YSS 2205	4
YSS 2205A	2
YSS 2205B	6



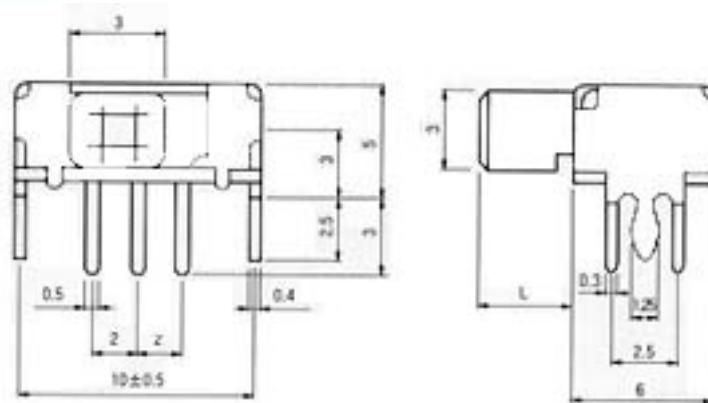
1. Rating: DC 30V, 0.2A
2. Circuit: 2C-2P
3. Timing: Shorting or Non shorting
4. Travel: 2
5. Operating Force: 200±50 gf
6. Terminal: P.C. board Terminal

MODEL NO.	L
YSS 2207	4
YSS 2207A	2



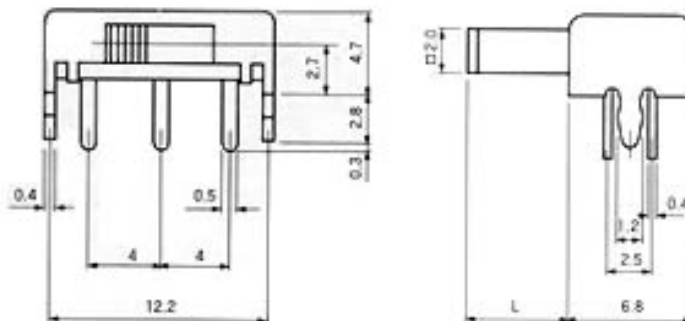
1. Rating : DC 30V, 0.2A
2. Circuit : 2C-2P
3. Timing : Shorting or Not Shorting
4. Terminal : P.C. Board Terminal
5. Travel : 2.0

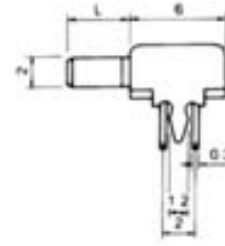
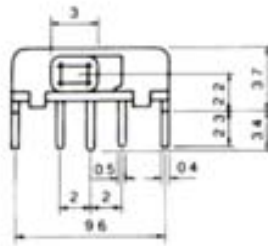
MODEL	L
SS2207	4
SS2207A	6



1. Rating : DC 30V, 0.2A
2. Circuit : 2C-2P
3. Timing : Not Specified
4. Travel : 4.0
5. Operating Force : 200 ± 100gf
6. Terminal : P.C. Board Terminal

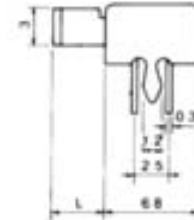
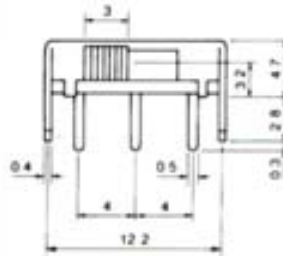
MODEL NO.	L
SS2210	6
SS2210A	4
SS2210D	2





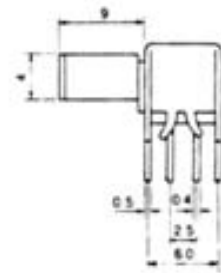
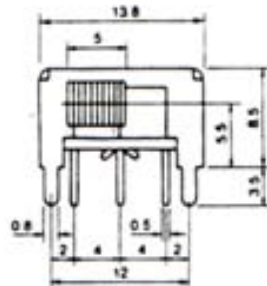
1. Rating: DC 30V, 0.2A
2. Circuit: 2C-2P
3. Timing: Non shorting of shorting
4. Travel: 2
5. Operating Force: 250±100 gf
6. Terminal: P.C. board Terminal

MODEL NO.	L
YSS 2211	4
YSS 2211A	2



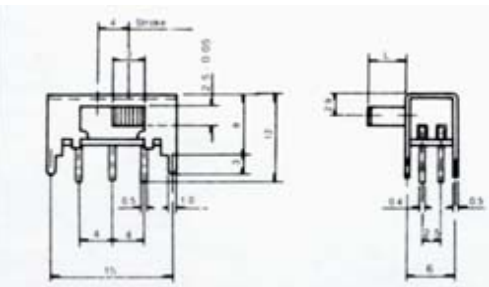
1. Rating: DC 30V, 0.2A
2. Circuit: 2C-2P
3. Timing: Non shorting of shorting
4. Travel: 2
5. Operating Force: 200±100 gf
6. Terminal: P.C. board Terminal

MODEL NO.	L
YSS 2215	3
YSS 2215A	6



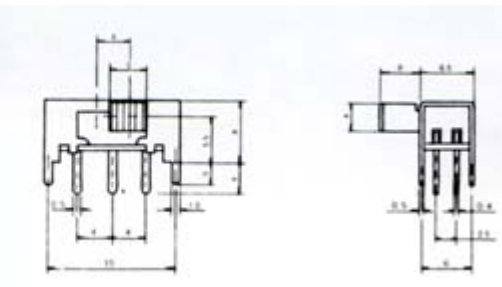
1. Rating: DC 15V, 0.5A
2. Circuit: 2C-2P
3. Timing: Non shorting of shorting
4. Travel: 4
5. Operating Force: 250±100 gf
6. Terminal: P.C. board Terminal

MODEL NO.	L
YSS 2219	9
YSS 2219A	6

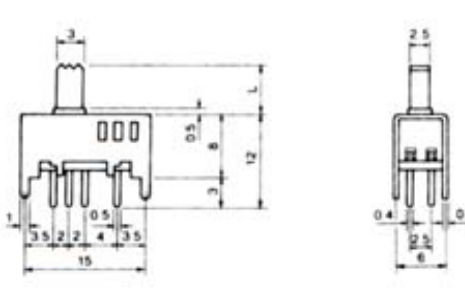


1. Rating: DC 30V, 0.1A
2. Circuit: 2C-2P
3. Timing: Non-shorting
4. Travel: 4mm
5. Operating Force: 200±100 gf

MODEL NO.	Knob(L)
YSS 2241	3
YSS 2241A	6
YSS 2241B	9

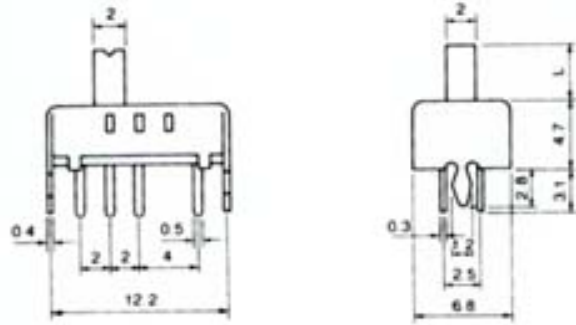


1. Rating: DC 30V, 0.1A
2. Circuit: 2C-2P
3. Timing: Non-shorting
4. Travel: 4mm
5. Operating Force: 200±100 gf



1. Rating: DC 30V, 0.2A
2. Circuit: 2C-3P
3. Timing: Non shorting
4. Travel: 2+2
5. Operating Force: L←C→R : 300±100 gf
L→C←R : 200±100 gf
6. Terminal: P.C. board Terminal

MODEL NO.	L
YSS 2301 SO30	3
YSS 2301 SO45	4.5
YSS 2301 SO60	6
YSS 2301 SO90	9
YSS 2301 SO120	12



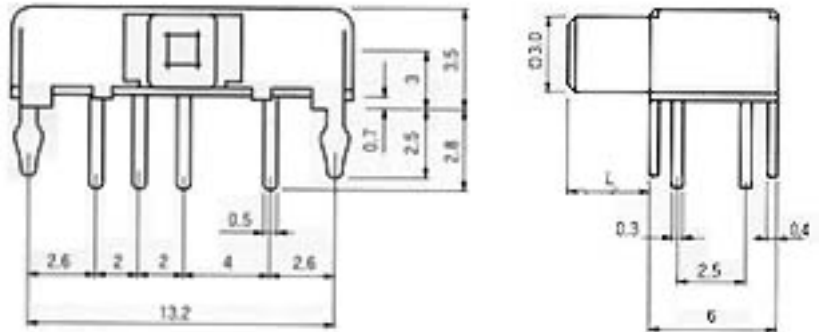
1. Rating: DC 30V, 0.2A
2. Circuit: 2C-3P
3. Timing: Non shorting
4. Travel: 2+2
5. Operating Force: L→C← R : 250±100 gf
L←C→ R : 300±100 gf
6. Terminal: P.C. board Terminal

MODEL NO.	L
YSS 2305	4
YSS 2305A	2
YSS 2305B	6



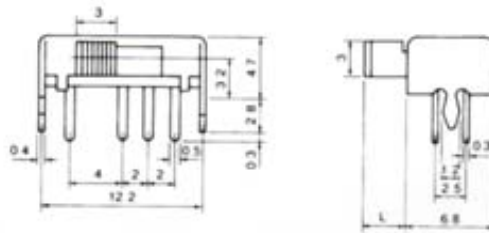
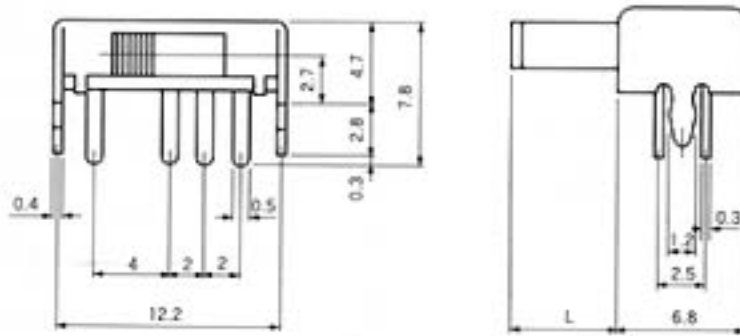
1. Rating : DC 30V, 0.2A
2. Circuit : 2C-3P
3. Timing : Not Specified
4. Terminal : P.C.BoardTerminal
5. Travel : 2.0+2.0

MODEL	L
SS2308	4
SS2308A	6



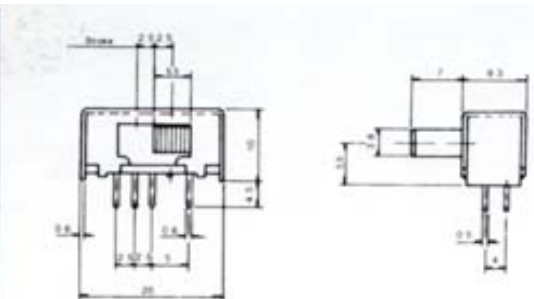
1. Rating : DC 30V, 0.2A
2. Circuit : 2C-3P
3. Timing : Not Specified
4. Travel : 2.0+2.0
5. Operating Force
L -> C <- R : 200 ± 100gf
L <- C -> R : 250 ± 100gf
6. Terminal : P.C.Board Terminal

MODEL	L
SS2310	6
SS2310A	4



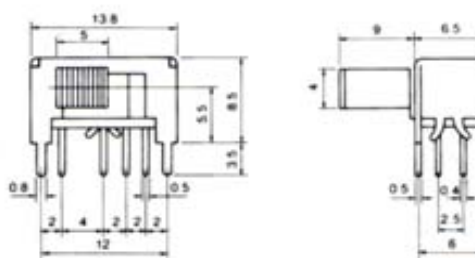
1. Rating: DC 30V, 0.2A
2. Circuit: 2C-3P
3. Timing: Non Specified
4. Travel: 2+2
5. Operating Force: L→C← R : 250±100 gf
L←C→ R : 300±100 gf
6. Terminal: P.C. board Terminal

MODEL NO.	L
YSS 2315	3
YSS 2315A	6



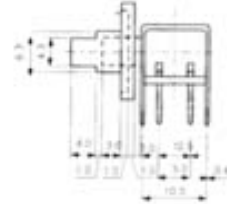
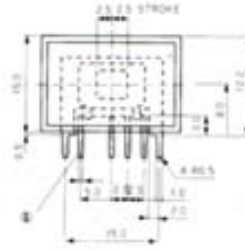
1. Rating: DC 30V, 0.3A
2. Circuit: 2C-3P
3. Timing: Non Shorting
4. Operating Force: L→C← R : 250±100 gf
L←C→ R : 300±100 gf
5. Terminal: P.C. board Terminal
6. Stroke: 2.5mm

MODEL NO.	L
YSS 2317	7
YSS 2317A	5



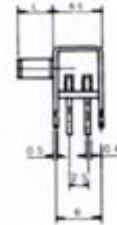
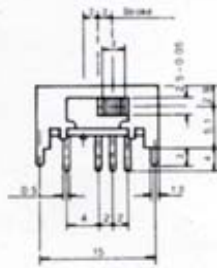
1. Rating: DC 15V, 0.5A
2. Circuit: 2C-3P
3. Timing: Non Specified
4. Travel: 2+2
5. Operating Force: L→C← R : 250±100 gf
L←C→ R : 300±100 gf
6. Terminal: P.C. board Terminal

MODEL NO.	L
YSS 2319	9
YSS 2319A	6



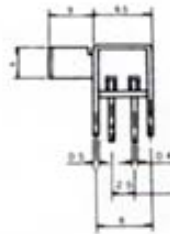
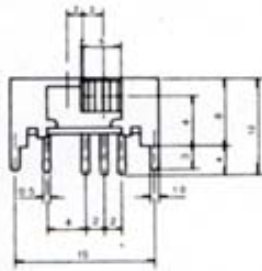
1. Rating: DC 30V, 0.2A
2. Circuit: 2C-3P
3. Timing: Non shorting
4. Travel: 2.5+2.5
5. Operating Force: L→C← R : 400±100 gf
L←C→ R : 550±100 gf
6. Terminal: P.C. board Terminal

MODEL NO.	L
YSS 2331	5
YSS 2331A	9
YSS 2331B	5CAP



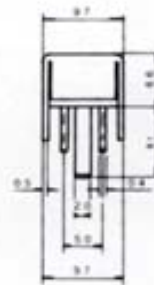
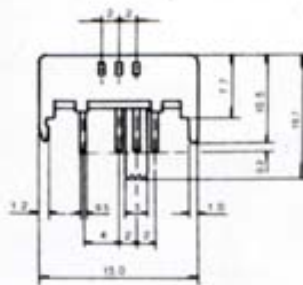
1. Rating: DC 30V, 0.1A
2. Circuit: 2C-3P
3. Timing: Non Specified
4. Travel: 2+2mm
5. Operating Force: L→C← R : 300±100 gf
L←C→ R : 200±100 gf

MODEL NO.	L
YSS 2341	3
YSS 2341A	6
YSS 2341B	9

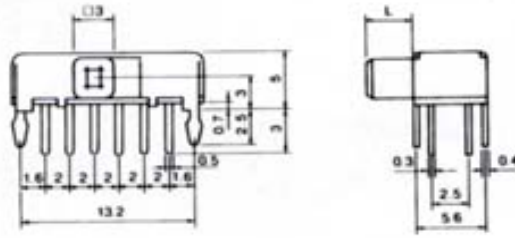


1. Rating: DC 30V, 0.3A
2. Circuit: 2C-3P
3. Timing: Non shorting
4. Operating Force:

Side→ Center: 200±100 gf
Center← Side: 300±100 gf

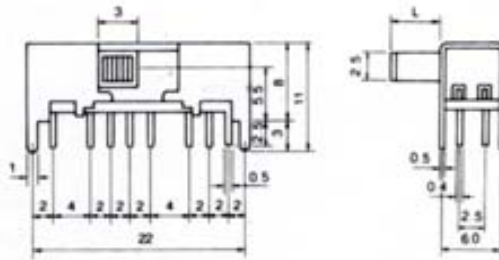


1. Rating: DC 50V, 0.3A
2. Circuit: 2C-3P
3. Travel: 2+2mm
4. Operating Force:
L→C← R : 200±100 gf
L←C→ R : 250±100 gf
5. Timing: Non Shoring
6. General: Tolerance±0.3g



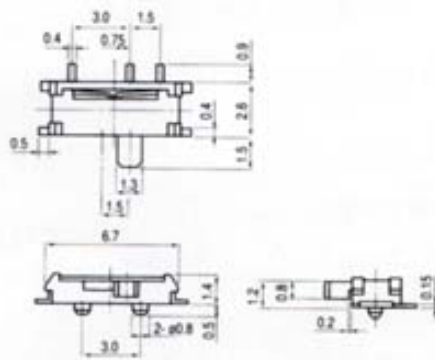
1. Rating: DC 30V, 0.2A
2. Circuit: 4C-2P
3. Timing: Shorting or Non shorting
4. Travel:2
5. Operating Force:250±100 gf
6. Terminal: P.C. board Terminal

MODEL NO.	L
YSS 4208	4
YSS 4208A	6

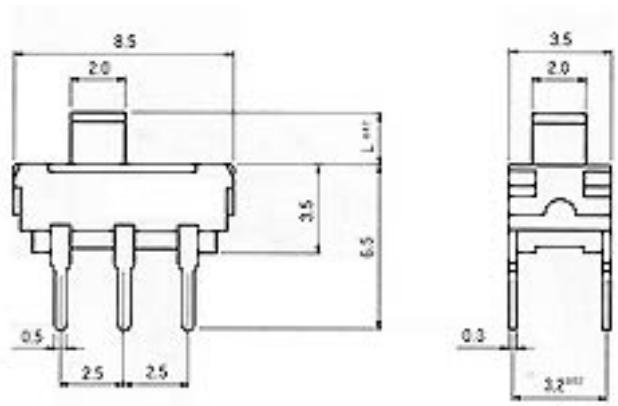


1. Rating: DC 30V, 0.2A
2. Circuit: 4C-3P
3. Timing: Non Specified
4. Travel:2 +2
5. Operating Force:
L→C← R : 150±100 gf
L→C← R : 200±100 gf
6. Terminal: P.C. board Terminal

MODEL NO.	L
YSS 4319	5
YSS 4319A	6

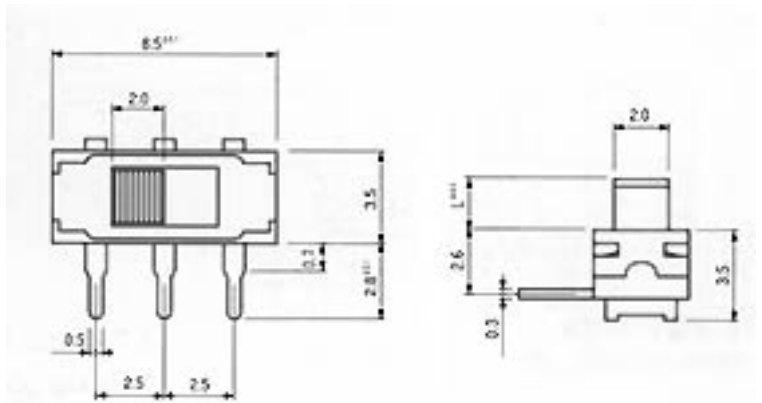


1. Rating: DC 6V, 0.3A
2. Poles-Throws: 1C-2P
3. Stroke:1.5mm
4. Operating Force: 150±100 gf
5. Contact Resistance: 70mΩMax
6. Life: 10,000Cycles



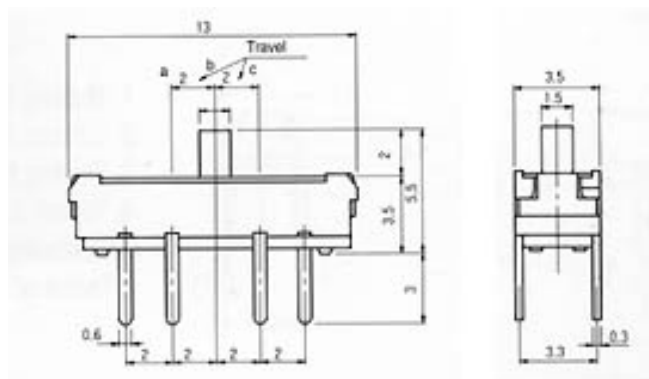
1. Rating : DC 30V, 0.2A
2. Circuit : 1C-2P
3. Timing : Not Specified
4. Travel : 2.0
5. Operating Force:200 ±150gf
6. Terminal : P.C.Board Terminal

MODEL	L
SS1104	2.0
SS1104A	4.4
SS1104B	6.5



1. Rating : DC 30V, 0.2A
2. Circuit : 1C-2P
3. Timing : Not Specified
4. Travel : 2.0
5. Operating Force:200 ±150gf
6. Terminal : P.C.Board Terminal

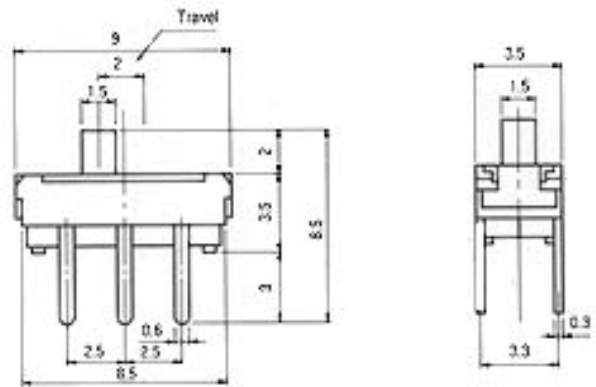
MODEL	L
SS1105	2.0
SS1105A	4.4
SS1105B	6.5



1. Rating : DC 30V, 0.2A
2. Circuit : 1C-3P
3. Timing : Not Specified
4. Travel : 2.0+2.0
5. Operating Force :
 - a -> b] 200 ±100gf
 - c -> b] 200 ±100gf
 - b -> a] 100 ±100gf
 - b -> c] 100 ±100gf
6. Terminal : P.C.Board Terminal



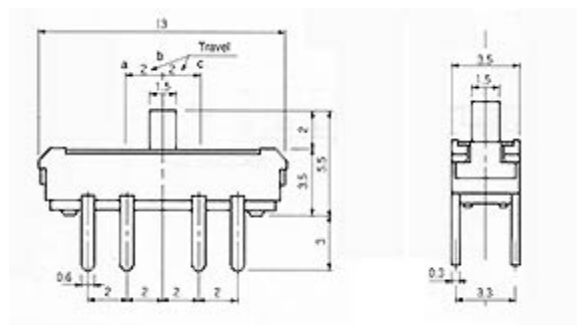
- 1. Rating : DC 30V, 0.2A
- 2. Circuit : 2C-2P
- 3. Timing : Not Specified



- 4. Travel : 2.0
- 5. Operating Force: 200 ±150gf
- 6. Terminal : P.C. Board Terminal



- 1. Rating : DC 30V, 0.2A
- 2. Circuit : 2C-3P
- 3. Timing : Not Specified
- 4. Travel : 2.0+2.0

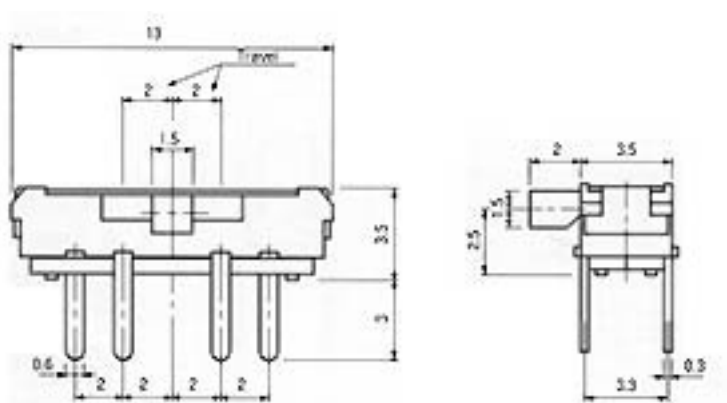


- 5. Operating Force:

a -> b] 250 ±100gf
c -> b	
b -> a] 300 ±100gf
b -> c	
- 6. Terminal : P.C.Board Terminal



- 1. Rating : DC 30V, 0.2A
- 2. Circuit : 1C-3P
- 3. Timing : Not Specified
- 4. Travel : 2.0+2.0

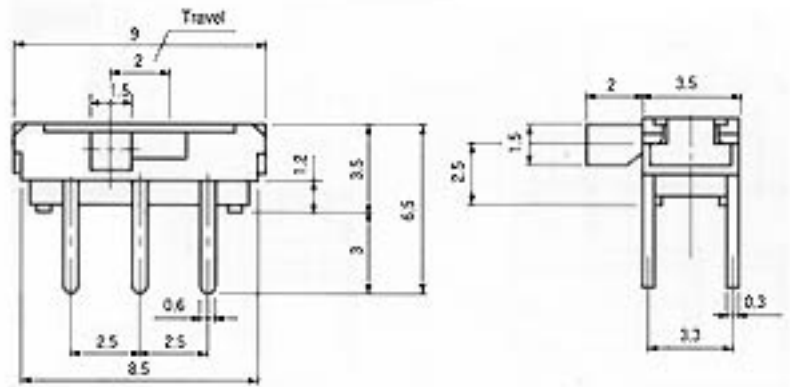


- 5. Operating Force

a -> b] 200±100gf
c -> b	
b -> a] 300±100gf
b -> c	
- 6. Terminal : P.C.Board Terminal



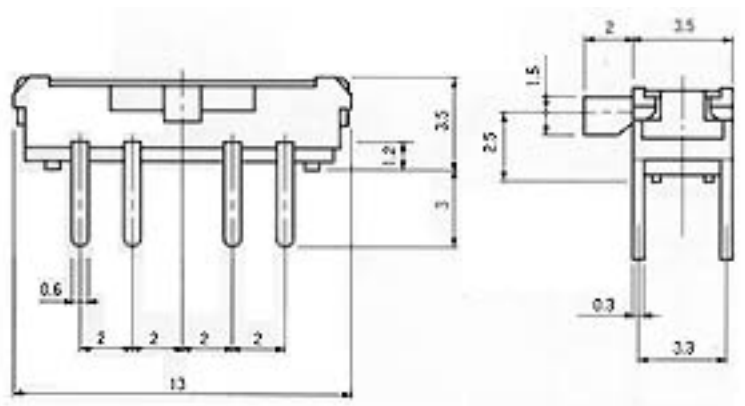
- 1. Rating : DC 30V, 0.2A
- 2. Circuit : 2C-2P
- 3. Timing : Not Specified



- 4. Travel : 2.0
- 5. Operating Force : 200 ± 150 gf
- 6. Terminal : P.C.Board Terminal



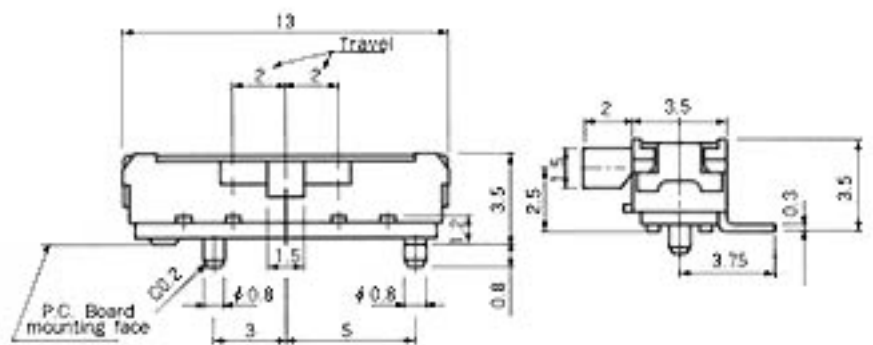
- 1. Rating : DC 30V, 0.2A
- 2. Circuit : 2C-3P
- 3. Timing : Not Specified
- 4. Travel : $2.0 + 2.0$



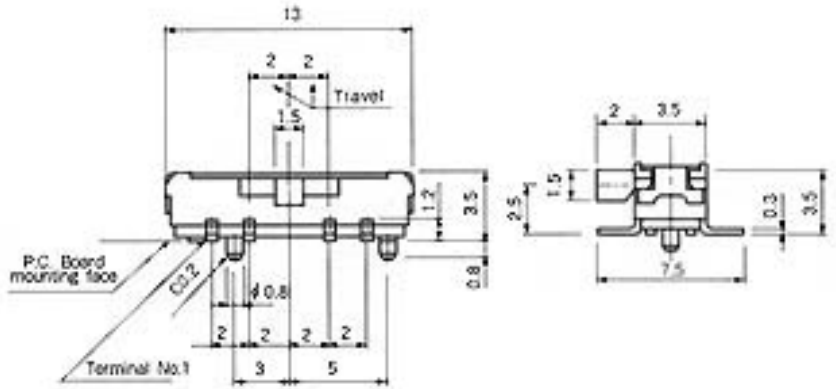
- 5. Operating Force
 - a -> b] 250 ± 100 gf
 - c -> b] 250 ± 100 gf
 - b -> a] 300 ± 100 gf
 - b -> c] 300 ± 100 gf
- 6. Terminal : P.C.Board Terminal



- 1. Rating : DC 30V, 0.2A
- 2. Circuit : 1C-3P
- 3. Timing : Not Specified
- 4. Travel : $2.0 + 2.0$



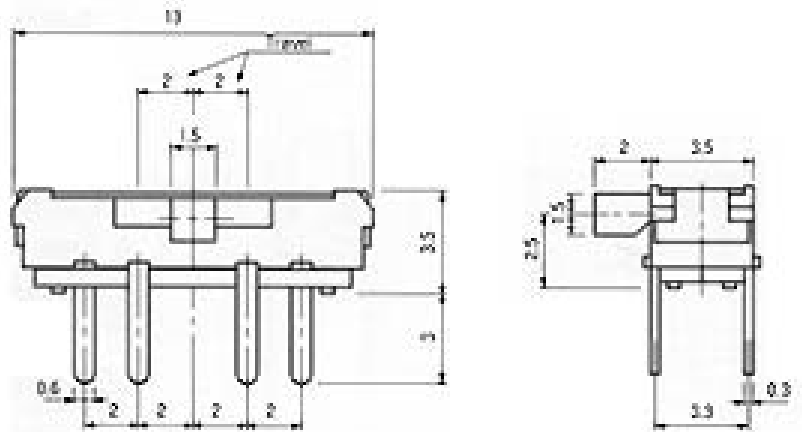
- 5. Operating Force
 - a -> b] 200 ± 100 gf
 - c -> b] 200 ± 100 gf
 - b -> a] 300 ± 100 gf
 - b -> c] 300 ± 100 gf
- 6. Terminal : P.C.Board Terminal
- 7. Reflow Soldering



1. Rating : DC 30V, 0.2A
2. Circuit : 2C-3P
3. Timing : Not Specified
4. Travel : 2.0+2.0

5. Operating Force
 - a -> b] 150±100gf
 - c -> b] 150±100gf
 - b -> a] 250±150gf
 - b -> c] 250±150gf

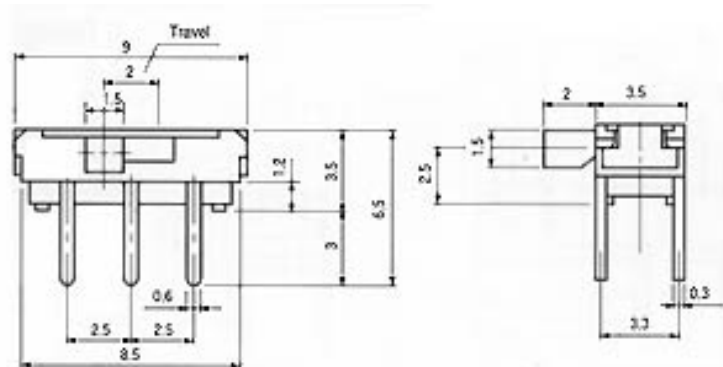
6. Terminal : P.C.Board Terminal
7. Reflow Soldering



1. Rating : DC 30V, 0.2A
2. Circuit : 1C-3P
3. Timing : Not Specified
4. Travel : 2.0+2.0

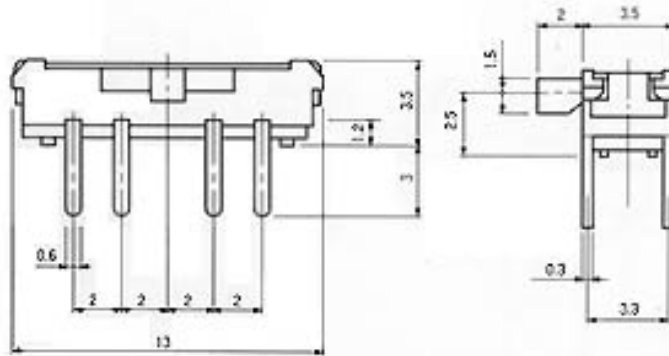
5. Operating Force
 - a -> b] 200±100gf
 - c -> b] 200±100gf
 - b -> a] 300±100gf
 - b -> c] 300±100gf

6. Terminal : P.C.Board Terminal



1. Rating : DC 30V, 0.2A
2. Circuit : 2C-2P
3. Timing : Not Specified

4. Travel : 2.0
5. Operating Force : 200±150gf
6. Terminal : P.C.Board Terminal

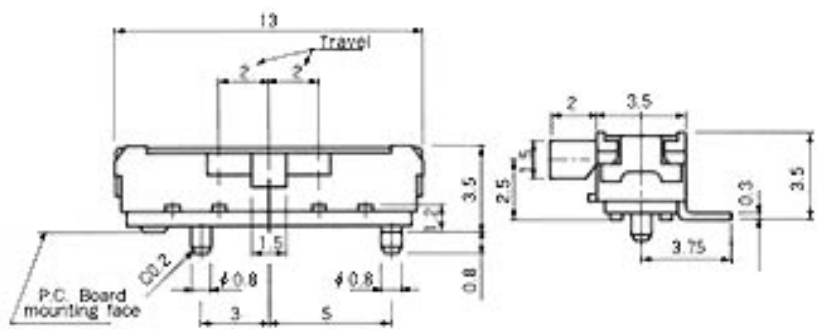


1. Rating : DC 30V, 0.2A
2. Circuit : 2C-3P
3. Timing : Not Specified
4. Travel : 2.0+2.0

5. Operating Force

- a -> b] 250±100gf
- c -> b]
- b -> a] 300±100gf
- b -> c]

6. Terminal : P.C.Board Terminal



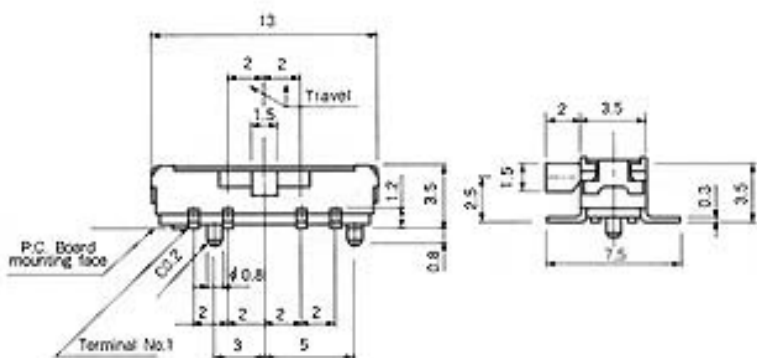
1. Rating : DC 30V, 0.2A
2. Circuit : 1C-3P
3. Timing : Not Specified
4. Travel : 2.0+2.0

5. Operating Force

- a -> b] 200±100gf
- c -> b]
- b -> a] 300±100gf
- b -> c]

6. Terminal : P.C.Board Terminal

7. Reflow Soldering



1. Rating : DC 30V, 0.2A
2. Circuit : 2C-3P
3. Timing : Not Specified
4. Travel : 2.0+2.0

5. Operating Force

- a -> b] 150±100gf
- c -> b]
- b -> a] 250±150gf
- b -> c]

6. Terminal : P.C.Board Terminal

7. Reflow Soldering