

## 611/621 Series Single/Double Pole Rocker and Paddle Switches



The patriarch of the Carlingswitch line of sub-miniature switches has its roots deep in the Appliance, Audio Visual, Power Supply, and Telecom markets. The 611/621 series compact size, sleek styling, actuator and termination choices is a cost effective solution to most any switching need. International approvals, single or double pole circuitry, and ratings to 11A 125VAC further the broad appeal of this product family.

### Dielectric Strength

UL/CSA: 1000V - live to dead metal & opposite polarity  
 VDE: 4000V - live to dead metal;  
 1250V - opposite polarity & across open contacts

### Electrical Life

50,000 cycles- single pole  
 50,000 cycles- double pole

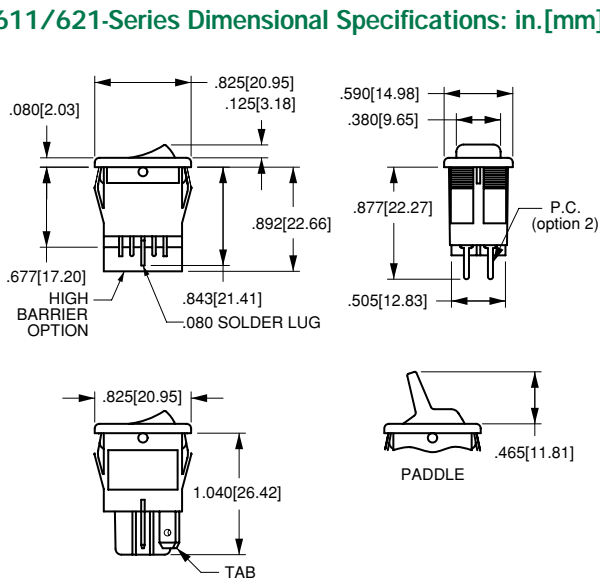
### Mechanical Life

100,000 cycles

### Operating Temperature

32°F to 185°F (0°C to 85°C)

### 611/621-Series Dimensional Specifications: in.[mm]



<p>END CENTER</p> <p>.171[4.34] .250[6.35]</p> <p>.080[2.03] X .047[1.19] SLOT</p>		<p>.062[1.57] DIA MIN .207[5.26] .046[1.17] .029[.736] .185[4.70]</p>													
<p>.080 SOLDER LUG (terminal option 1) functions 2,3,6,7,8</p>		<p>PC TERMINAL FRONT MOUNT &amp; MOUNTING PATTERN (terminal option 2) functions 2,3,6,7,8</p>													
<b>TERMINAL TYPE<sup>3</sup></b>															
<p>.187[4.74] X .032[.812]</p>		<p>.120[3.05] DIA .315[8.00]</p>													
<p>.187 TAB (Q.C) (terminal option 9) functions 1,2</p>		<p>.187 SOLDER LUG (terminal option 6) functions 1,2</p>													
		<p>6.000[152.40] .500[12.70]</p>													
		<p>WIRE LEAD</p>													
		<table border="1"> <thead> <tr> <th>PANEL THICKNESS</th> <th>X</th> <th>Y</th> </tr> </thead> <tbody> <tr> <td>.030[.762]-.060[1.52]</td> <td>.508[12.90]</td> <td>.756[19.20]</td> </tr> <tr> <td>.060[1.52]-.093[2.36]</td> <td>.508[12.90]</td> <td>.764[19.40]</td> </tr> <tr> <td>.093[2.36]-.156[3.96]</td> <td>.508[12.90]</td> <td>.780[19.81]</td> </tr> </tbody> </table>		PANEL THICKNESS	X	Y	.030[.762]-.060[1.52]	.508[12.90]	.756[19.20]	.060[1.52]-.093[2.36]	.508[12.90]	.764[19.40]	.093[2.36]-.156[3.96]	.508[12.90]	.780[19.81]
PANEL THICKNESS	X	Y													
.030[.762]-.060[1.52]	.508[12.90]	.756[19.20]													
.060[1.52]-.093[2.36]	.508[12.90]	.764[19.40]													
.093[2.36]-.156[3.96]	.508[12.90]	.780[19.81]													
		<p>TEST CUT HOLE IN ACTUAL MATERIAL</p>													

# 62116919

1  
Base Part Number<sup>1</sup>

-

# 0

2  
Epoxy Sealing

-

# 9

3  
Legend

-

# V

4  
Color

1 BASE PART NUMBER: SERIES/CIRCUITRY/RATING <sup>2</sup> /TERMINATION							
	.187 Tabs <sup>4</sup>	.080 Solder Lugs	PC Terms	Wire Leads	PC Frt. Mount <sup>4</sup>	PC Back Mount <sup>4</sup>	.187 Solder Lugs <sup>4</sup>
single pole; 4A 250VAC; 8A 125VAC; 6(4) A 250V <sup>4</sup>							
ON-NONE-OFF	<b>62116919</b>	n/a	n/a	<b>62111914</b>	<b>62111418<sup>3</sup></b>	<b>62111917</b>	<b>62111916</b>
ON-NONE-ON	<b>62116929</b>	<b>62116421<sup>3</sup></b>	<b>62111422<sup>3</sup></b>	<b>62111924</b>	<b>62111428<sup>3</sup></b>	<b>62111927</b>	<b>62111926</b>
ON-OFF-ON <sup>3</sup>	n/a	<b>62111461</b>	<b>62111462</b>	<b>62111463</b>	n/a	n/a	n/a
ON-NONE-(ON) <sup>3</sup>	n/a	<b>62111431</b>	<b>62111432</b>	<b>62111433</b>	n/a	n/a	n/a
ON-OFF-(ON) <sup>3</sup>	n/a	<b>62111472</b>	<b>62111470</b>	n/a	n/a	n/a	n/a
(ON)-OFF-(ON) <sup>3</sup>	n/a	<b>62111481</b>	<b>62111482</b>	<b>62111483</b>	n/a	n/a	n/a
double pole; 4A 250VAC; 8A 125VAC; 6(4) A 250V <sup>4</sup>							
ON-NONE-OFF	<b>62115919</b>	n/a	n/a	<b>62112914</b>	<b>62112418<sup>3</sup></b>	<b>62112917</b>	<b>62112916</b>
ON-NONE-ON	<b>62115929</b>	<b>62115421<sup>3</sup></b>	<b>62112422<sup>3</sup></b>	<b>62112924</b>	<b>62112428<sup>3</sup></b>	<b>62112927</b>	<b>62112926</b>
ON-OFF-ON <sup>3</sup>	n/a	<b>62112461</b>	<b>62112462</b>	<b>62112463</b>	n/a	n/a	n/a
ON-NONE-(ON) <sup>3</sup>	n/a	<b>62112431</b>	<b>62112432</b>	<b>62112433</b>	n/a	n/a	n/a
ON-OFF-(ON) <sup>3</sup>	n/a	<b>62112471</b>	<b>62112472</b>	<b>62112473</b>	n/a	n/a	n/a
(ON)-OFF-(ON) <sup>3</sup>	n/a	<b>62112481</b>	<b>62112482</b>	<b>62112483</b>	n/a	n/a	n/a

### 2 EPOXY SEALING

**O** no seal  
**E** epoxy seal

### 3 ROCKER LEGEND

		molded-in <sup>5</sup>	hot stamp
none	<b>O</b>	<b>O</b>	<b>O</b>
ON-OFF vertical	n/a	<b>A</b>	<b>A</b>
ON-OFF horizontal	n/a	<b>B</b>	<b>B</b>
I-O horizontal	<b>8</b>	<b>D</b>	<b>D</b>
I-O vertical	<b>9</b>	<b>E</b>	<b>E</b>
O (on rocker radius)	n/a	<b>F</b>	<b>F</b>

### 4 VISI-ROCKER END COLOR

**N** not applicable  
**V** visi-red  
**W** visi-white

NOTES

- 1 Base part number specifies black rocker with black bezel. To specify paddle actuator change 2nd digit from 2 to 1. ex.: 61115919= black paddle with black bezel.
- 2 Dry circuit rating is available, consult factory.
- 3 Not available with 6(4) A 250 V rating or VDE approval.
- 4 Available with ON-NONE-OFF and ON-NONE-ON circuits only. Consult factory for PC footprint.
- 5 Available with Visi-Rocker option only ( ) indicates momentary function.