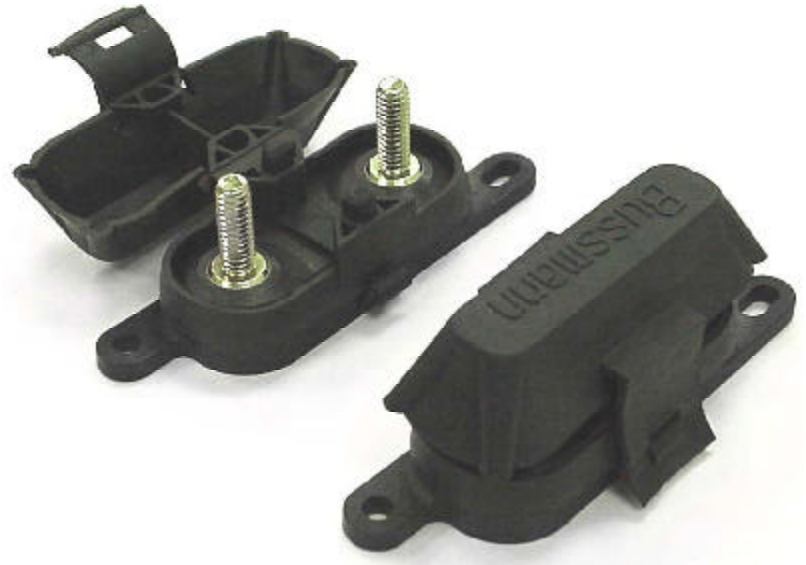




FMG Fuseholder

Bussmann Automotive Products introduces the **NEW** FMG Fuseholder for its AMG Series fuses. The FMG is a full-access fuseholder perfect for any mounting location. It is ideally suited for tight or small locations where an AMG fuse is needed.

The FMG fuseholder offers the same mounting hole spacing as Bussmann's HMG fuseholder also developed for the AMG fuse series. The FMG is available with either 5/16-18 studs or M8x1.25 metric studs. A flexible rubber cover is also available.



Features and Benefits

- For use with AMG Fuses (100-300 amps)
- Full-access design for ease of wiring - wires can be routed to the FMG studs from nearly any direction.
- Impact resistant, durable plastic base and optional cover
- Color-coded standard or metric zinc-plated steel studs
- Accepts multiple input/output wires
- Positive latching rubber cover conforms to different wire sizes and configurations
- Built-in fuse retention feature (with the cover option)
- Same mounting hole spacing as Bussmann's HMG fuseholder
- Easy Installation

FMG Fuseholder

Specifications:

Material: Base - 94V UL-Rated Nylon, Cover - 94HB UL-Rated rubber,
Stud - Zinc-Plated Steel

Stud Size: 5/16-18 Standard, M8x1.25 Metric

Stud Length: .90" (23mm)

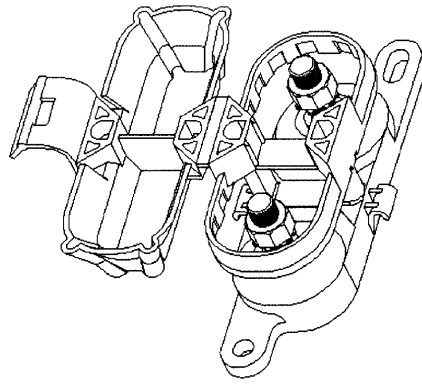
Ambient Operating Temperature: -40°C to 125°C

Recommended Mounting Hardware: 1/4-20 screws with washers

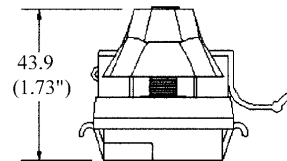
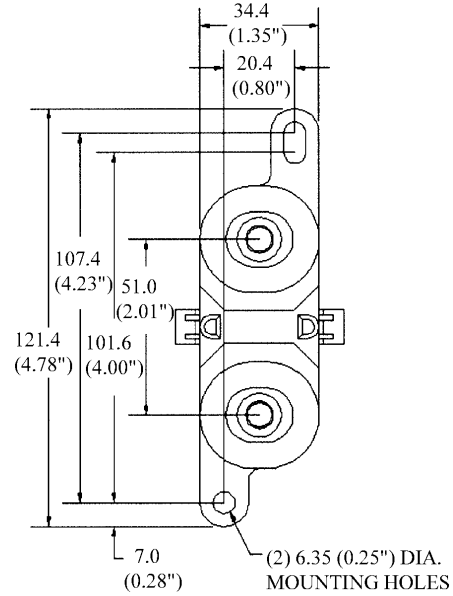
Recommended Mounting Torque: 5Nm (44 in-lb, 3.7 ft-lb) max.

Stud Torque: 15Nm (10 ft-lb) max.

Cable Positions: Unlimited



FMG-X11 Shown



Part Numbering System

Series	Base	Hardware	Cover
F M G	□	□	□
	1 - Base with M8x1.25 Metric Studs 2 - Base with 5/16-18 Studs	0 - No Nuts 1 - Nuts Installed 2 - Nuts Shipped Bulk	0 - No Cover 1 - Cover Installed 2 - Cover Shipped Bulk