

BOURNS®

Features

- Single pole/single throw
- Bulk or ammo pack packaging
- Vertical or horizontal actuation
- With or without ground terminal
- Wave solderable

Applications

- Recorders
- Camcorders
- Smoke alarms
- Electronic toys

7906 6mm Square Key Switch

Electrical Characteristics

Contact Rating
 Maximum Current20mA
 Maximum Voltage15 VDC
 Contact Resistance
100 milliohms max.
 Insulation Resistance
50 megohms min. (100 VDC)
 Dielectric Strength250 VAC
 Contact Bounce3ms max. (on)
10ms max. (off)

General Characteristics

Switch Type(N.O.) SPST
 Operating Temperature Range
-20°C to +70°C
 Storage Temperature Range
-40°C to +85°C

Mechanical Characteristics

Operating Force.....160gf ±40gf
 Push Stroke0.25mm ±0.1
 Operating Life100,000 Actuations
 Max. Soldering Heat260°C,
 5 seconds

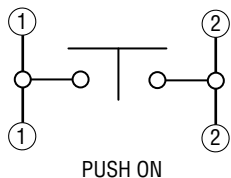
How to Order

7906 H - 1 - A

Model _____
 Terminal _____
 Switch Type _____
 001 = Standard
 002 = Ground Terminal
 Optional Tape & Ammo Pack Packaging
 Std. Packaging500 pcs./Bag
 Tape1000 pcs./Ammo Pack
 Note: Ammo pack modifies pin pattern

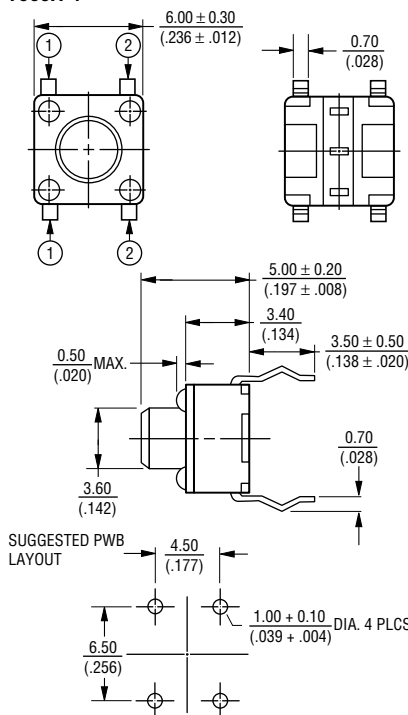
DIMENSIONS ARE: METRIC
 (INCHES)

TOLERANCES: ±.2 EXCEPT WHERE NOTED.

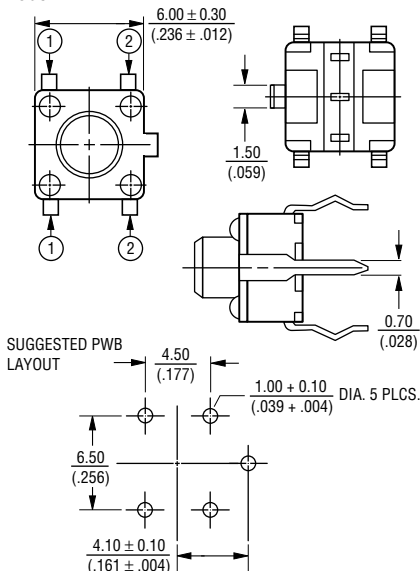


Product Dimensions

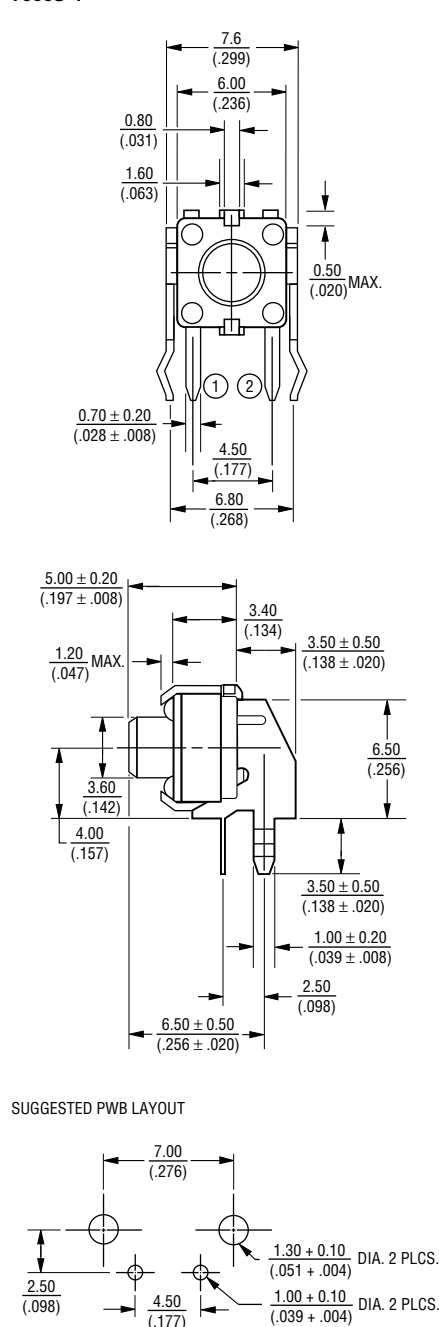
7906H-1



7906H-2



7906S-1

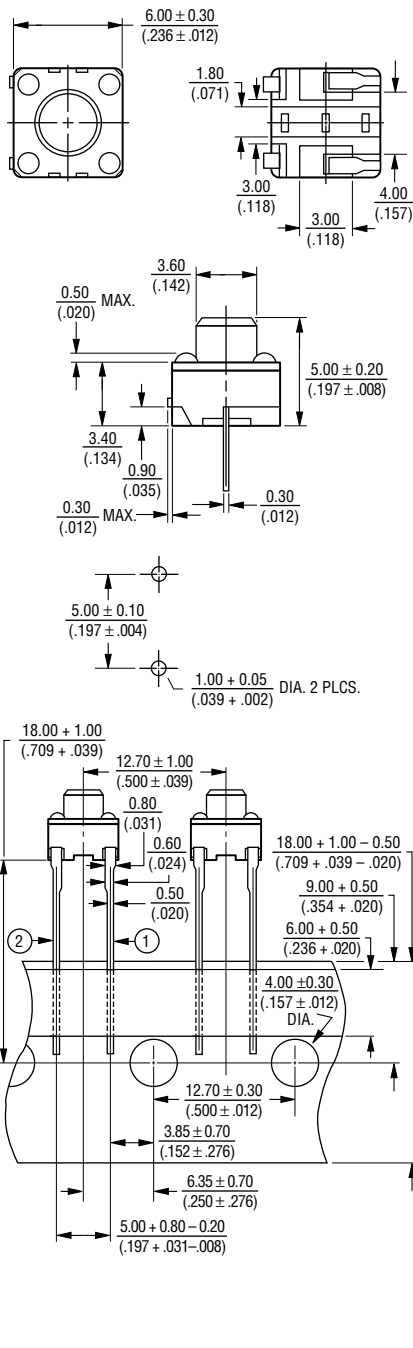


7906 6mm Square Key Switch

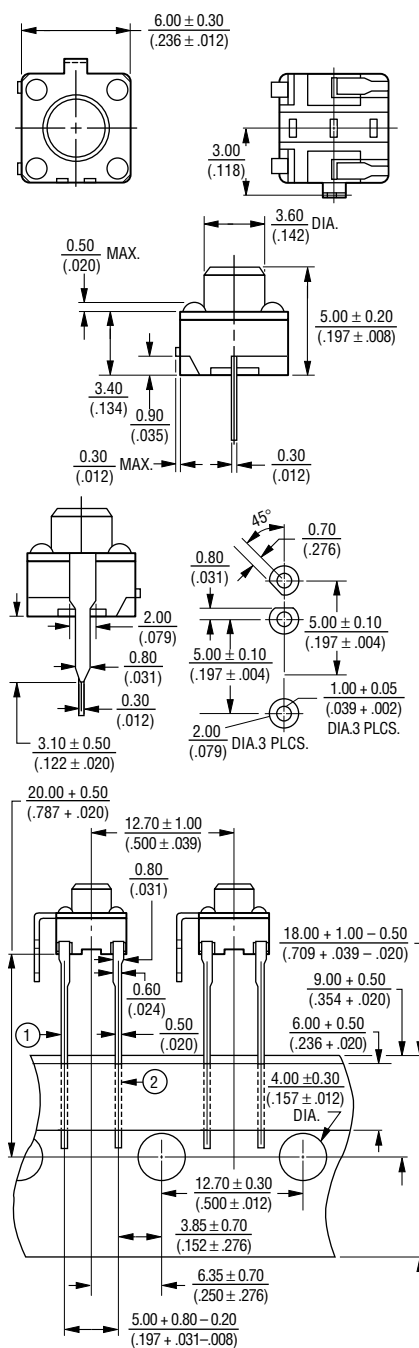
BOURNS®

Packaging Specifications

7906H-1



7906H-2



7906S-1

