

**10/100 BASE QUAD PORT PULSE TRANSFORMERS**

462 Boston St - Topsfield, MA 01983 - Phone: 978-887-8050 - Fax: 978-887-5434

- For Use with Transceivers Requiring 1:1 Transmit and Receive Turn Ratios
- Compliant with IEEE 802.3u and ANSI X3.263 standards including 350  $\mu$  H OCL with 8mA bias from 0°C to 70°C
- Models designed to support four single or double stacked RJ-45 connector
- 100 Base-TX surface mountable
- IC grade transfer-molded package withstands 235°C peak temperature profile
- Customer deigns available for specific application
- Storage temperature range: -40°C to +125°C.



**Electrical Specifications @ 25°C Operating Temperature range: 0°C to +70°C**

Isolation Voltage : 1500Vrms Insulation Resistance : 10,000 M $\Omega$

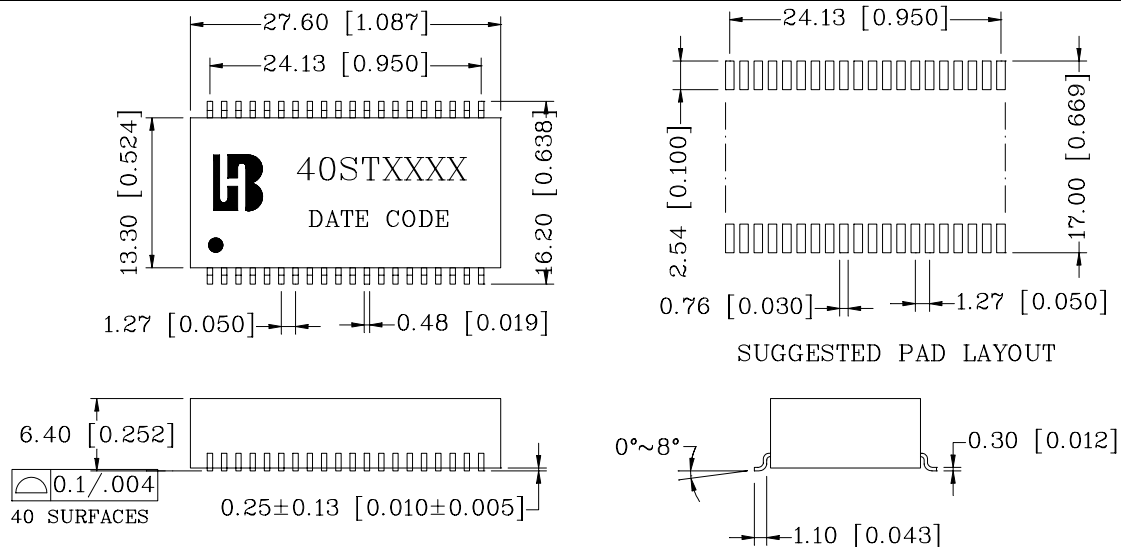
OCL(100KHz, 0.1Vrms with 8mA/DC Bias) : 350  $\mu$  H Min.

Part Number	Insertion Loss (dB Max)	Return Loss (dB Min)			Cross talk (dB Min)	CMRR (dB Min)	Turns Ratio ( $\pm$ 5%)		L.L (uH Max)	CW/W (pF Max)	Rise Time (nS Typ)
	0.3~100MHz	0.3-30MHz	30-60MHz	60-80MHz	0.3-100MHz	0.3-100MHz	TX	RX			
40ST1041	-1.15	-16	-12	-10	-38	-40	1CT:1CT	1:1	0.42	30	-
40ST1041AX	-1.0	-	-	-	-	-	1CT:1CT		0.4	56	3.0 Max
40ST1041AX-1	-1.15	-16	-12	-10	-32	-30	1CT:1CT		0.4	56	3.0 Max
40ST1041E	-1.15	-16	-12	-10	-38	-37	1CT:1CT	1:1	0.4	28	2.5
40ST1041EX	-1.15	-16	-12	-10	-38	-37	1CT:1CT	1:1	0.5	56	2.5
40ST1041F	-1.15	-16	-12	-10	-38	-37	1CT:1CT	1:1	0.45	28	2.5
40ST1041J	-1.15	-16	-12	-10	-38	-37	1CT:1CT	1:1	0.4	30	2.5
40ST1041SX	-1.15	-16	-12	-10	-38	-40	1CT:1CT	1:1	0.5	56	-
40ST1053	-1.15	-16	-12	-10	-30	-30 Typ	1CT:1CT	1:1	-	-	2.5
40ST1060	-1.15	-16	-12	-10	-30	-30 Typ	1CT:1CT	1:1	0.42	28	-
40ST1060-1	-1.15	-16	-12	-10	-30	-30 Typ	1CT:1CT	1:1	0.42	28	-
40ST1062	-1.15	-16	-12	-10	-35	-30 Typ	1CT:1CT	1:1	-	-	-
40ST1064	-1.15	-16	-12	-10	-38	-37 Typ	1CT:1CT		0.4	56	2.5
40ST1129	-1.15	-16	-12	-10	-38	-40	1CT:1CT	1:1	0.5	28	-

Part Number	Return Loss (dB Min)				Cross talk (dB Min)				Differential to common mode rejection (dB Min)	
	2-30MHz	40MHz	50MHz	60-80 MHz	0.3-30MHz	30MHz	60MHz	100MHz	1-60MHz	60-200MHz
40ST1041AX	-18	-14.5	-13.5	-12	-65	-50	-40	-33	-37	-25

**Mechanicals**



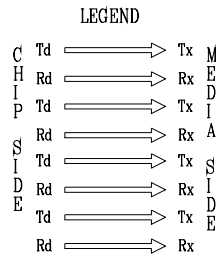
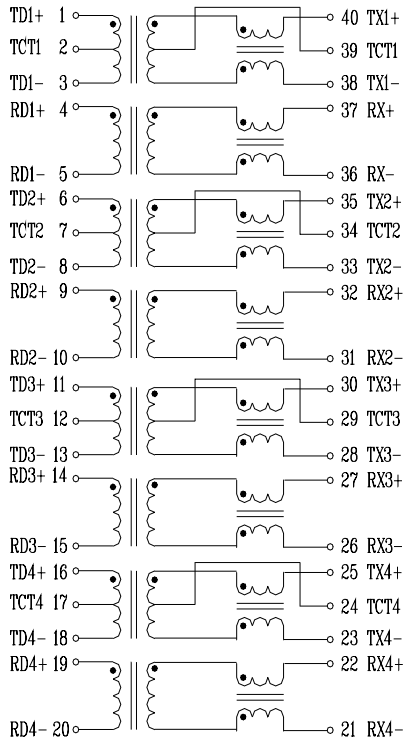
Units: mm[Inches] Tolerance: xx.x0±0.25[0.010]  
0.xx±0.05[0.002]

**10/100 BASE QUAD PORT PULSE TRANSFORMERS**

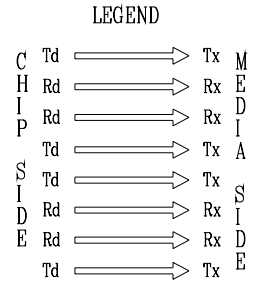
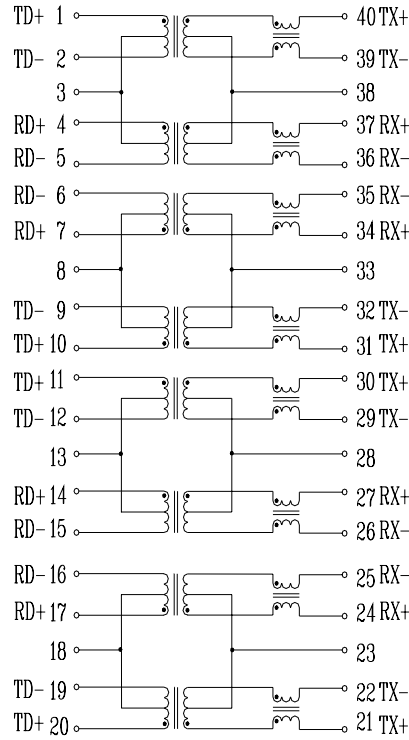
462 Boston St - Topsfield, MA 01983 - Phone: 978-887-8050 - Fax: 978-887-5434

**Schematics**

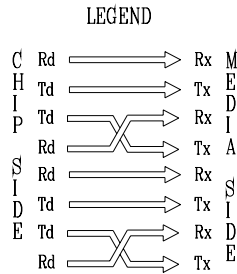
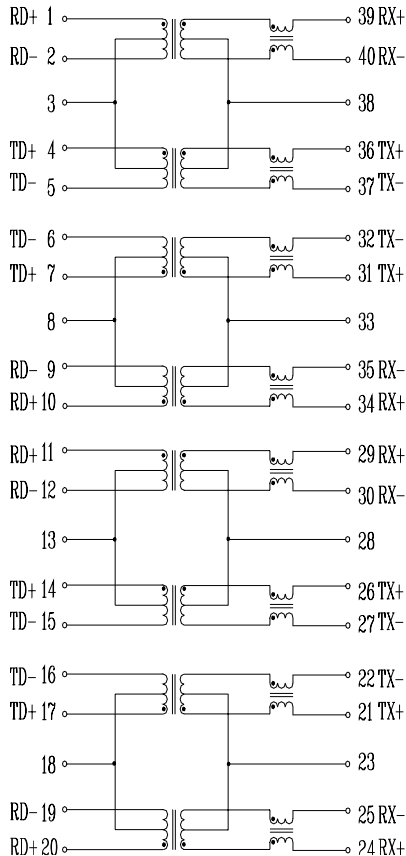
**40ST1041**



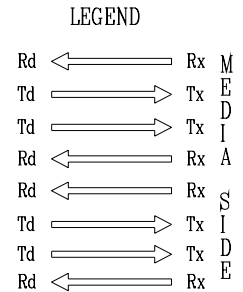
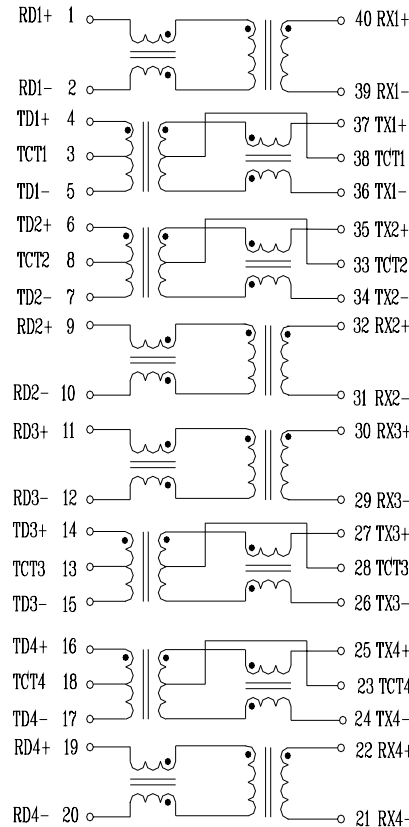
**40ST1041AX**



**40ST1041AX-1**



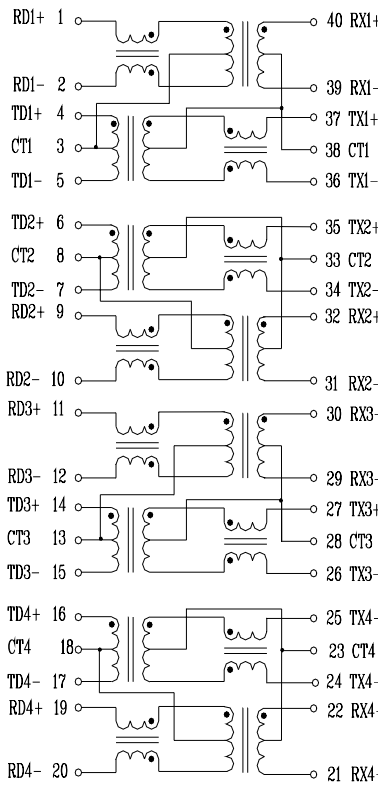
**40ST1041E**



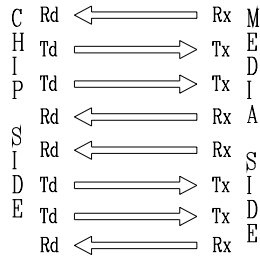
# 10/100 BASE QUAD PORT PULSE TRANSFORMERS

462 Boston St - Topsfield, MA 01983 - Phone: 978-887-8050 - Fax: 978-887-5434

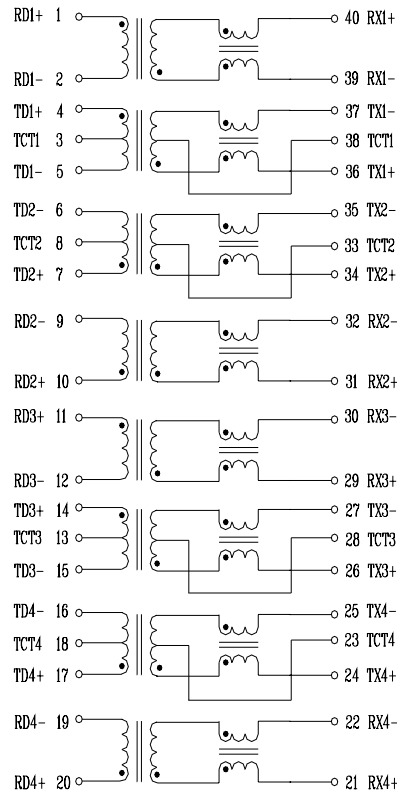
## 40ST1041EX



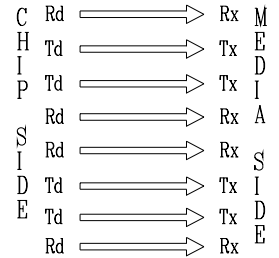
### LEGEND



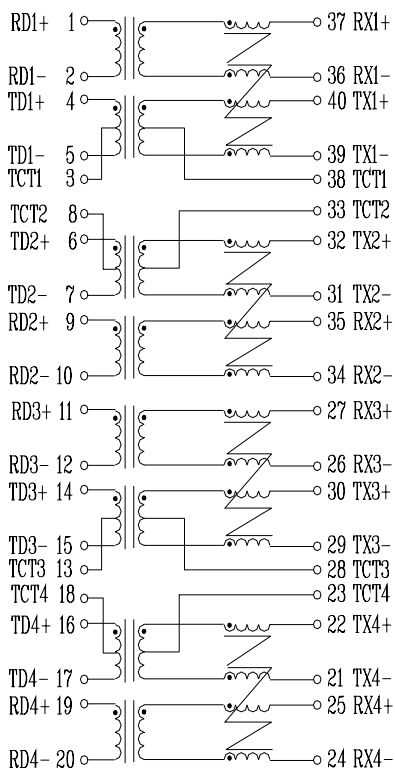
## 40ST1041F



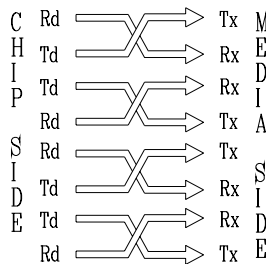
### LEGEND



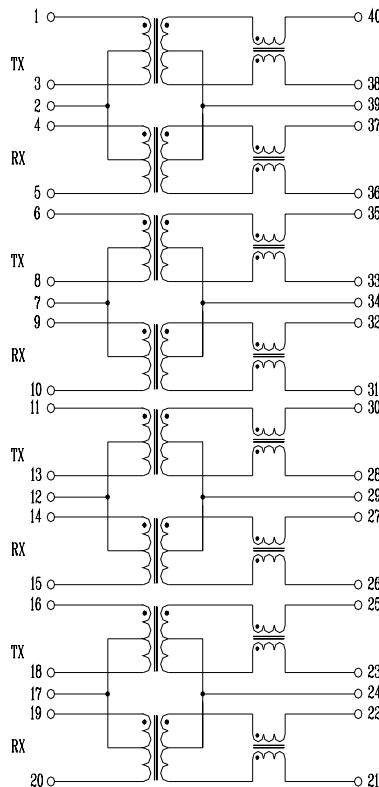
## 40ST1041J



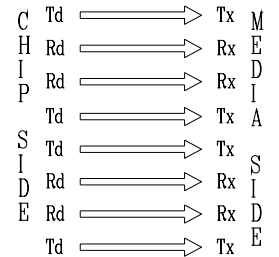
### LEGEND



## 40ST1041SX



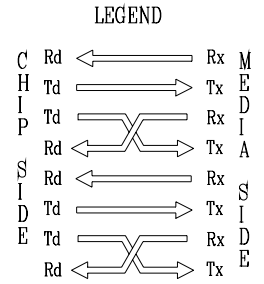
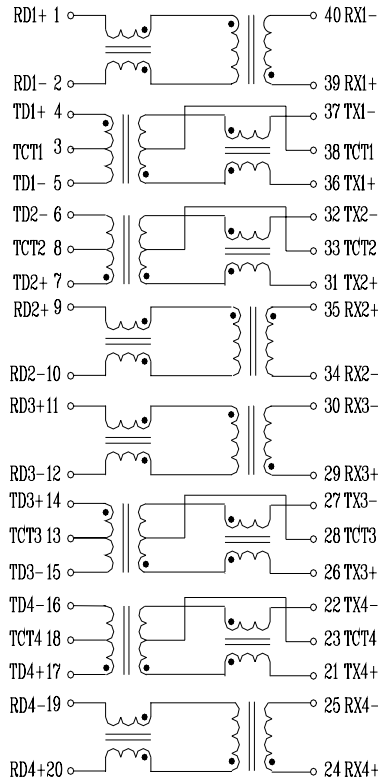
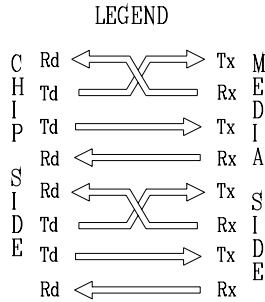
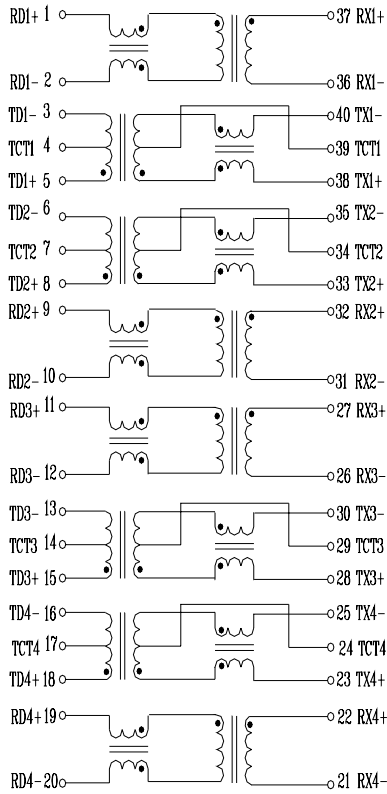
### LEGEND



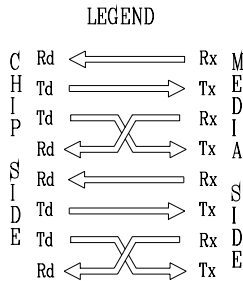
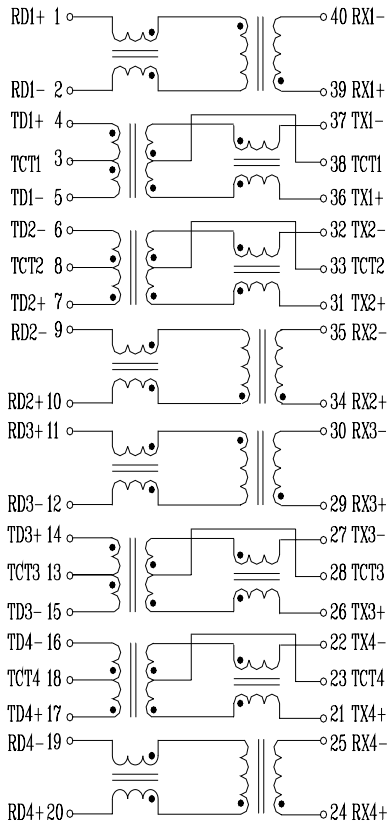
**10/100 BASE QUAD PORT PULSE TRANSFORMERS**

462 Boston St - Topsfield, MA 01983 - Phone: 978-887-8050 - Fax: 978-887-5434

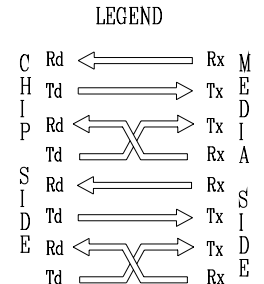
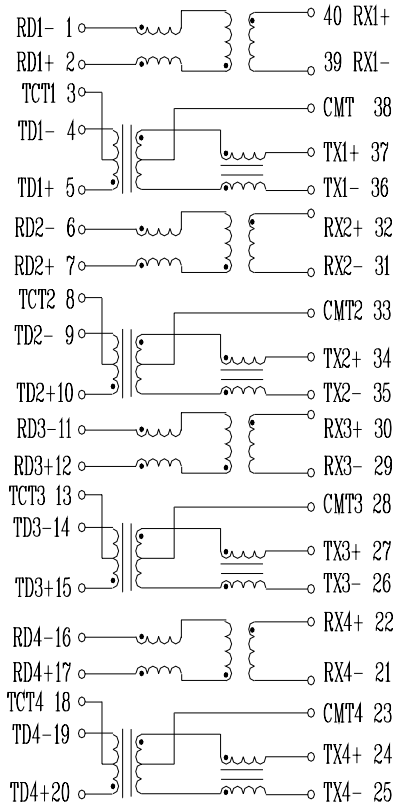
**40ST1060**



**40ST1060-1**



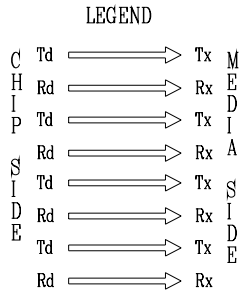
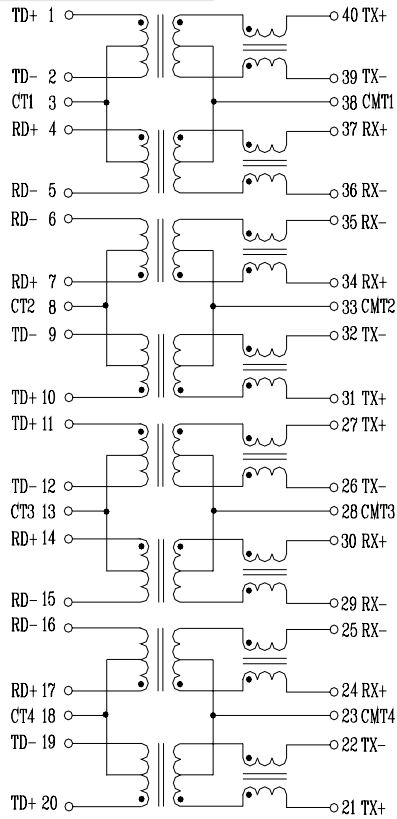
**40ST1062**



# 10/100 BASE QUAD PORT PULSE TRANSFORMERS

462 Boston St - Topsfield, MA 01983 - Phone: 978-887-8050 - Fax: 978-887-5434

## 40ST1064



## 40ST1129

