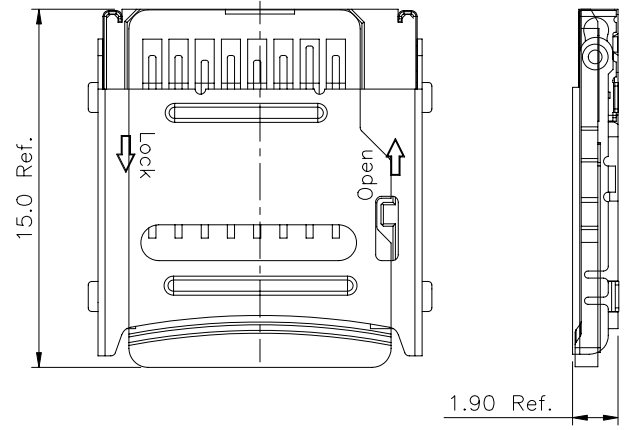
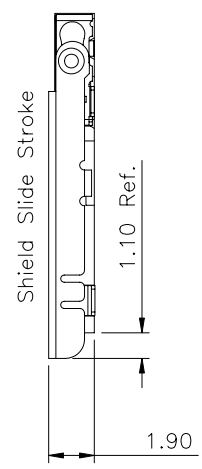
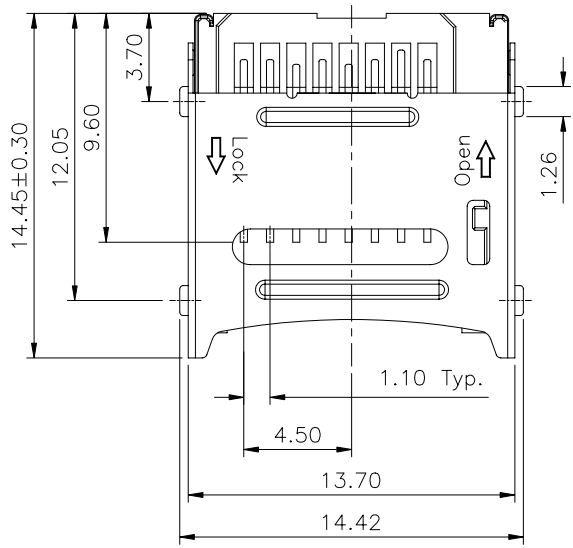


SPECIFICATION

- 1.General Characteristics:
T-Flash Connector 08Pin SMT 90° Standoff=0
Normal Type Hinge Type Reel Packing Reel 1K/Reel
- 2.Material&Finish:
Housing:High-Temp. Plastic(UL94V-0),Black
Shell:Stainless Steel
Pad:Copper Alloy,Tin Plated
Terminal:Copper Alloy,Gold Plated On Contact Area
Tin Plated On Solder Tail
- 3.Electrical Characteristics:
Current Rating:0.5Amp Max.
Dielectric Withstanding:500V AC For One Minute
Contact Resistance:80 Milliohms Max.
Insulation Resistance:1000 Megaohms Min. At 500V DC
- 4.Environmental Characteristics:
Operation Temperature:-20°C~+60°C
- 5.RoHS Compliant



Card Fixed Dimension Reference

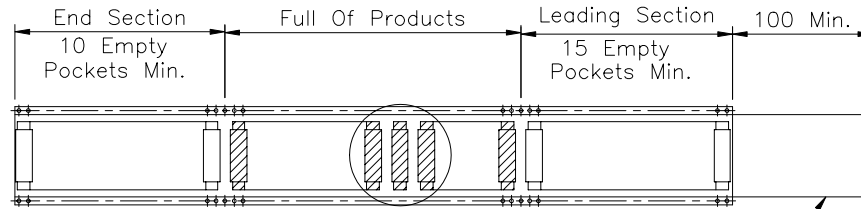
AUK A MEMBER OF AUK GROUP
太聯事業股份有限公司
AUK CONTRACTORS CO., LTD.

CATEGORY		APPROVED BY		UNLESS OTHERWISE SPECIFIED TOLERANCES ARE .X ±0.30 .XX ±0.20 .XXX ±0.10 ANG. ±3°
PART No. TFC08W01-HC-R1K-H		MEI		
DRAWING No. TFC08W01-HC-R1K-H		HZF		
		XYH		
SCALE	NONE	REV.	A0	UNIT mm

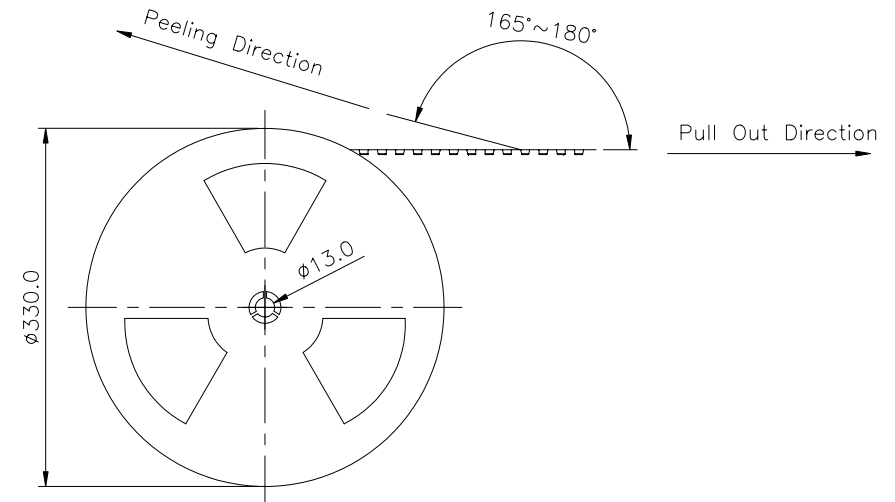
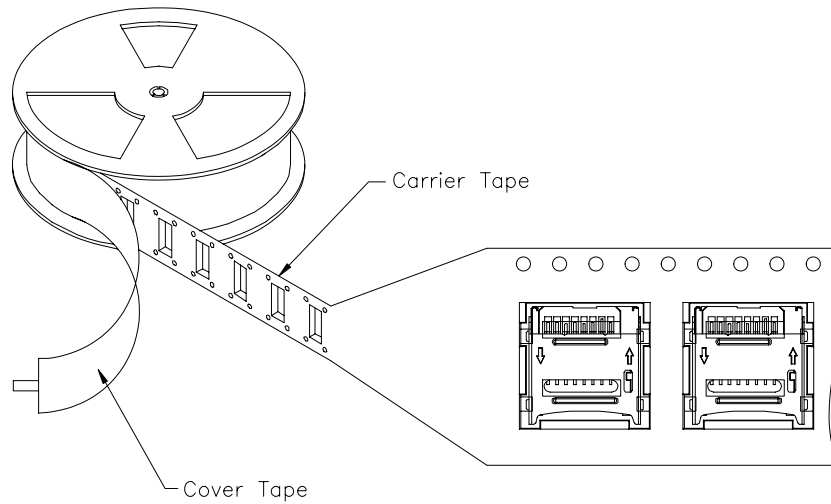
△ A0	NEW RELEASE	HZF	11/23/2008
NO.REV.	REVISIONS	CHK	DATE

SPECIFICATION

Embossed Carrier:PS
 Cover Tape:PS
 Shipping Carton:Corrugated Fiber
 Primary Packing:1000PCS/Reel
 Secondary Packing:5 Reels/Carton
 RoHS Compliant



Top Cover Tape



AUK A MEMBER OF AUK GROUP
太聯事業股份有限公司
AUK CONTRACTORS CO., LTD.

CATEGORY		APPROVED BY		UNLESS OTHERWISE SPECIFIED TOLERANCES ARE .X ±0.30 .XX ±0.20 .XXX ±0.10 ANG. ±3°				
PART No. TFC08W01-HC-R1K-H		MEI						
DRAWING No. TFC08W01-HC-R1K-H		HZF						
SCALE		REV.						
NONE		A0		UNIT mm	△ A0	NEW RELEASE	HZF	11/23/2008
					NO.REV.	REVISIONS	CHK	DATE