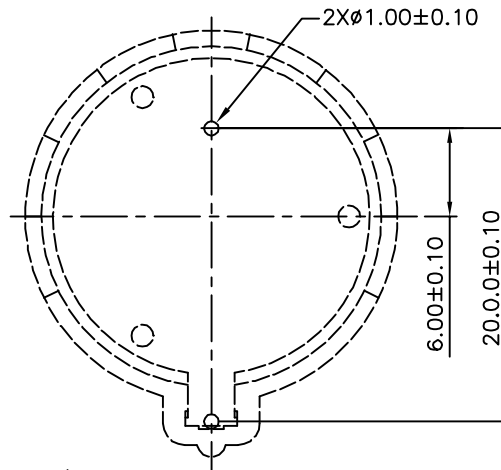
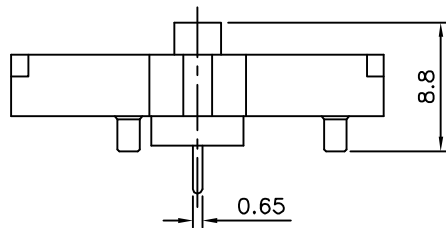
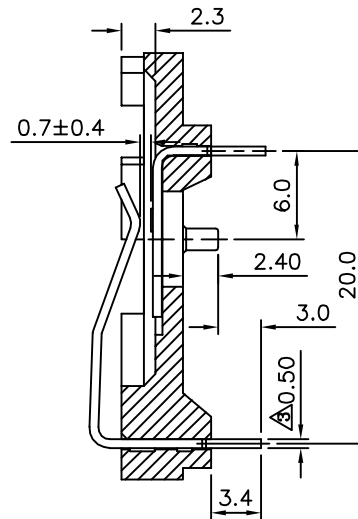
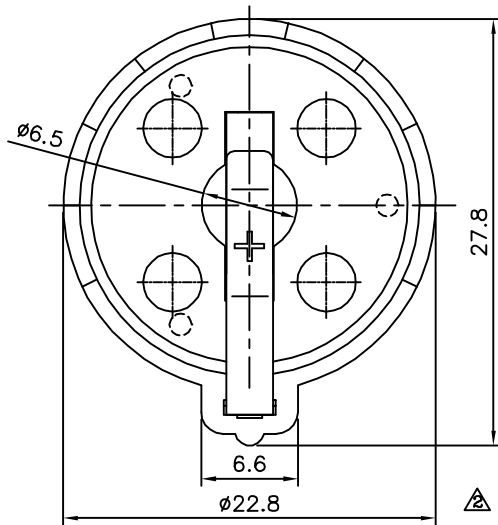


△△ SPECIFICATION

Housing:PBT+30%G.F.(UL94V-0),Black
 Contact:Phosphor Bronze,Tin Plated Over Nickel
 Battery Dim.:D=19.8,T=3.2
 RoHS Compliant

△ BH 19 D K - H
 (1) (2) (3) (4) (5)

- (1) BH: Battery Holder
- (2) 19: For CR2032
- (3) D: DIP Straight
- (4) K: Insulator Color Black
- (5) H: RoHS Compliant



**△ Recommend P.C.B. Layout
 Component Side**

AUK A MEMBER OF AUK GROUP
太聯事業股份有限公司
AUK CONTRACTORS CO., LTD.

CATEGORY		APPROVED BY		UNLESS OTHERWISE SPECIFIED TOLERANCES ARE .X ±0.25 .XX ±0.20 .XXX ±0.10 ANG. ±2°				
PART No. BH19DK-H		EMILY			△ A3	Modify Data	HZF	04/19/2012
DRAWING No. BH19DK-H		HZF			△ A2	Modify Data	HZF	12/02/2009
SCALE NONE		HTP			△ A1	Add Dim.	INGRID	02/01/2008
REV.	A3	UNIT	mm	△ A0	NEW RELEASE			
NO.	REV.	REVISIONS	CHK	DATE				