

AMERICAN
TECHNICAL
CERAMICS

INDUCTOR PRODUCTS

Manufactured for ATC



 THE
ENGINEERS'
CHOICE™

CORPORATE PROFILE

Corporate Profile

American Technical Ceramics Corp. (ATC) provides component and custom integrated packaging solutions for the RF, microwave and telecommunications industries. For over forty years we have been "The Engineer's Choice".

ATC designs, develops, manufactures and markets Multilayer Capacitors, Single Layer Capacitors, Resistive Products, Inductors and Custom Thin Film Products for RF, microwave and millimeter-wave applications. Our products are primarily focused on the wireless communications infrastructure, fiber optic, medical electronics, semiconductor manufacturing equipment, defense, aerospace, and satellite communications markets.

Customer interface is administered by our own personnel and independent sales representatives. American Technical Ceramics is headquartered in Huntington Station, New York and has an Advanced Technology Center in Jacksonville, Florida. This is the center of excellence for our traditional product lines and the development and manufacturing facilities for Thin Film and Resistive products.

As part of our globalization initiative ATC has a wholly-owned subsidiary for European Direct Sales, Applications Support and Distribution, located in Kungens Kurva, Sweden. The Company's wholly-owned subsidiary offering Technical Support for Asia is located in Shenzhen, P.R. China. ATC also has local offices in Holzkirchen, Germany Guildford, England and Moscow, Russia

RLC Product Offerings

- Multilayer Ceramic Capacitors
- Single Layer Ceramic Capacitors
- Resistive Products
- Inductors

Process and Packaging Offerings

- Thin Film Custom Products

Markets Served

- Wireless Communications Infrastructure
- Fiber Optics
- Wireless Handsets
- Automotive Electronics
- LMDS/MMDS
- Semiconductor Manufacturing Equipment
- Medical Diagnostic Equipment
- Telecommunications
- Military and Aerospace



▲ ATC's New York Facility occupies approximately 90,000 sq. ft.

Facilities

- **Huntington Station, New York** – Sales, Applications Support, Manufacturing and Distribution Center
- **Kungens Kurva, Sweden** – European Operations and Distribution Center
- **Jacksonville, Florida** – Advanced Technology Center, Manufacturing Facility.



▲ ATC's Jacksonville Facility occupies approximately 100,000 sq. ft.

A M E R I C A N T E C H N I C A L C E R A M I C S

ATC North America
631-622-4700 • sales@atceramics.com

ATC Europe
+46 8 6800410 • sales@atceramics-europe.com

ATC Asia
+86-755-2396-8759 • sales@atceramics-asia.com

w w w . a t c e r a m i c s . c o m

GENERAL SPECIFICATIONS

Introducing ATC's New WL Series, High Frequency Wire Wound Chip Inductors

ATC introduces its new family of RF surface mount inductor components, intended to complement its high frequency ultra low ESR capacitor products. The WL Series Wire Wound Chip Inductor Products have been designed to provide excellent performance at competitive prices.

This Series includes the most widely used traditional EIA case sizes – 0402, 0603, 0805, 1008, and 1206. The WL Inductor Product line is intended for RF and microwave applications and features high self-resonant frequencies (SRF), high Q, and low DC resistance. These products are manufactured on a rugged core made of high quality ceramic material that exhibits high Q at high operating frequencies.

The WL Series is especially attractive for all 800 MHz to 3.4 GHz wireless applications where cost and performance are major factors. These applications include but are not limited to: cellular base stations, broadband wireless services, point-to-point and point-to-multipoint radio as well as other RF and microwave telecommunications systems.

All WL Series Inductor Products are supplied in tape and reel (2000 to 4000 parts per reel depending on case size) as standard, making them ideal for automated pick and place manufacturing applications. The terminations consist of a barrier layer with a lead-free tin-plated finish that exhibits excellent solderability for trouble-free attachments.

Features

- High Q
- High SRF
- Low DC Resistance
- Wide Range of Standard EIA Inductance Values
1 nH to 15000 nH
- Traditional EIA Case Sizes 0402, 0603, 0805, 1008,
and 1206
- Lead-Free, RoHS Compliant Terminations
- Rugged Ceramic Core Construction
- Tape and Reel for Automated Placement

General Electrical Specifications:

- Inductance Range: 1 nH to 15000 nH, See Tables
- Operating Temperature: -40°C to +125°C
- Temperature Coefficient of Inductance (TCL):
+25 to +125 ppm/°C Typical From -40°C to +125°C
- Rated Current: See Tables, Pages 2-6
- SRF: See Tables, Pages 2-6
- IDC: See Tables, Pages 2-6
- RDC: See Tables, Pages 2-6

Applications:

- Cellular Base Station Equipment
- Broadband Wireless Services
- Point-to-Point and Point-to-Multipoint Radio
- Satcom Equipment
- Telecommunications Wireless Applications
- RF and Microwave Communications Systems

Circuit Applications:

- Amplifier Matching Networks
- Bias Networks
- Filters
- Oscillators
- Synthesizers

A M E R I C A N T E C H N I C A L C E R A M I C S

ATC North America
631-622-4700 • sales@atceramics.com

ATC Europe
+46 8 6800410 • sales@atceramics-europe.com

ATC Asia
+86-755-2396-8759 • sales@atceramics-asia.com

w w w . a t c e r a m i c s . c o m

ATC 0402 WL SERIES WIRE WOUND CHIP INDUCTORS

Inductor Selection Guide

Inductance (nH)	Tolerance Code	Q min.	SRF (MHz) min.	RDC (Ohms) max.	IDC (mA) max.	900 MHz		1.7 GHz	
						L typ.	Q typ.	L typ.	Q typ.
1.0 @ 250 (MHz)	K, J	16	>6000	0.045	1360	1.02	77	1.02	69
2.0 @ 250 (MHz)	K, J	16	>6000	0.070	1040	1.93	54	1.93	75
2.2 @ 250 (MHz)	K, J	19	>6000	0.070	960	2.19	59	2.23	100
3.3 @ 250 (MHz)	K, J	19	6000	0.066	840	3.10	65	3.12	87
3.6 @ 250 (MHz)	K, J	19	6000	0.066	840	3.56	45	3.62	71
3.9 @ 250 (MHz)	K, J	19	5800	0.066	840	3.89	50	4.00	75
5.1 @ 250 (MHz)	K, J	20	5800	0.083	800	5.15	56	5.25	82
5.6 @ 250 (MHz)	K, J	20	5800	0.083	760	5.16	54	5.28	81
6.2 @ 250 (MHz)	K, J	20	5800	0.083	760	6.16	52	6.37	76
7.5 @ 250 (MHz)	K, J	22	5800	0.104	680	7.91	60	8.22	88
8.2 @ 250 (MHz)	K, J	22	4400	0.104	680	8.50	57	8.85	84
9.0 @ 250 (MHz)	K, J	22	4160	0.104	680	9.07	62	9.53	78
10 @ 250 (MHz)	K, J	21	3900	0.195	480	9.8	50	10.1	67
11 @ 250 (MHz)	K, J	24	3680	0.120	640	10.7	52	11.2	78
12 @ 250 (MHz)	K, J	24	3600	0.120	640	11.9	53	12.7	71
15 @ 250 (MHz)	K, J	24	3280	0.172	560	14.6	55	15.5	77
19 @ 250 (MHz)	K, J	24	3040	0.202	480	19.1	50	21.1	67
23 @ 250 (MHz)	K, J	24	2720	0.214	400	23.8	49	26.9	64
27 @ 250 (MHz)	K, J	24	2480	0.298	400	28.7	49	33.5	63
36 @ 250 (MHz)	K, J	24	2320	0.403	320	39.5	44	48.4	53
40 @ 250 (MHz)	K, J	24	2240	0.438	320	39.0	44	47.4	33
47 @ 250 (MHz)	K, J	20	2100	0.830	150	50.0	38	59.4	37
56 @ 250 (MHz)	K, J	25	1760	0.970	100	57.4	49	72.4	40

ATC Part Number Code

0402 WL 100 K T

EIA Case Size
0402, 0603, 0805, 1008, 1206

Wire Wound Inductor
Inductance value in nH.
1st and 2nd digits are significant digits.
3rd digit is multiplier.
R is decimal point.

Packaging
T - Tape & Reel

Tolerance.
See table below.

Inductance Tolerances		
Code	J	K
Tol.	± 5%	± 10%

The above part number refers to an ATC 0402 WL wire wound chip inductor, 10 nH, K (±10%) tolerance, in tape and reel packaging. Tighter tolerances are available. Consult factory.

Mechanical Configurations

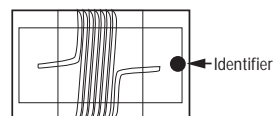
A max.	B max.	C max.	D ref.	E	F	G	H	I	J
.050 (1.27)	.030 (0.76)	.024 (0.61)	0.06 (0.15)	.020 (0.51)	.009 (0.23)	.022 (0.56)	.026 (0.66)	.019 (0.50)	.018 (0.46)

Inches (mm)

Marking Code

0402- No mark due to size.

0603 and 0805 Series - Because of their small size, these parts are marked with a single dot. The inductance value represented by the dot is shown on the data sheet for each series.

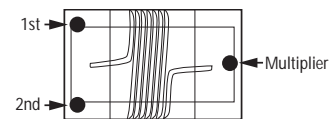


1008 and 1206 Series - These parts are marked with three color dots. The table below shows the significance of each color.

Dots 1 and 2 indicate the inductance in nanoHenries

Dot 3 is a multiplier showing the number of added zeroes

- | | |
|------------|------------|
| 0 = Black | 5 = Green |
| 1 = Brown | 6 = Blue |
| 2 = Red | 7 = Violet |
| 3 = Orange | 8 = Gray |
| 4 = Yellow | 9 = White |



Examples:

- | | |
|-------------------|-----------|
| Gray Red Black | = 82 nH |
| Brown Red Brown | = 120 nH |
| Yellow Violet Red | = 4700 nH |

Terminations

Terminations for all WL Series Inductor Case Sizes are **Lead-Free, RoHS Compliant**, Tin Plated over Nickel Barrier.

A M E R I C A N T E C H N I C A L C E R A M I C S

ATC North America
631-622-4700 • sales@atceramics.com

ATC Europe
+46 8 6800410 • sales@atceramics-europe.com

ATC Asia
+86-755-2396-8759 • sales@atceramics-asia.com

ATC 0603 WL SERIES WIRE WOUND CHIP INDUCTORS

Inductor Selection Guide

Inductance (nH)	Tolerance Code	Q min.	SRF (MHz) min.	RDC (Ohms) max.	IDC (mA) max.	900 MHz		1.7 GHz		Color code
						L typ.	Q typ.	L typ.	Q typ.	
1.6 @ 250 (MHz)	J, K	16	12,500	0.040	700	1.53	35	1.58	55	Blue
1.8 @ 250 (MHz)	J, K	16	12,500	0.045	700	1.63	35	1.66	50	Black
3.3 @ 250 (MHz)	J, K	22	6000	0.080	700	3.35	47	3.40	65	Red
3.6 @ 250 (MHz)	J, K	22	5900	0.063	700	3.72	53	3.71	65	Violet
3.9 @ 250 (MHz)	J, K	22	6900	0.080	700	3.95	49	3.96	67	Brown
4.3 @ 250 (MHz)	J, K	22	5900	0.063	700	4.32	50	4.33	70	Orange
4.7 @ 250 (MHz)	J, K	20	5800	0.116	700	4.72	47	4.75	57	Violet
5.1 @ 250 (MHz)	J, K	20	5700	0.140	700	4.93	47	4.95	56	Green
5.6 @ 250 (MHz)	J, K	20	5800	0.170	700	5.53	56	5.86	77	Yellow
6.8 @ 250 (MHz)	G, J, K	27	5800	0.110	700	6.75	60	7.10	81	Red
7.5 @ 250 (MHz)	G, J, K	28	4800	0.106	700	7.70	60	7.82	65	Brown
8.2 @ 250 (MHz)	G, J, K	28	4700	0.109	700	8.30	60	8.50	60	Green
8.7 @ 250 (MHz)	G, J, K	28	4600	0.109	700	8.86	62	9.32	58	Yellow
9.5 @ 250 (MHz)	G, J, K	28	5400	0.135	700	9.70	59	9.92	61	Blue
10 @ 250 (MHz)	G, J, K	31	4800	0.130	700	10.00	66	10.60	83	Orange
11 @ 250 (MHz)	G, J, K	33	4000	0.086	700	11.00	53	11.50	5	Gray
12 @ 250 (MHz)	G, J, K	35	4000	0.130	700	12.30	72	13.50	83	Yellow
15 @ 250 (MHz)	G, J, K	35	4000	0.170	700	15.40	64	16.80	89	Green
16 @ 250 (MHz)	G, J, K	34	3300	0.104	700	16.20	55	17.30	52	White
18 @ 250 (MHz)	G, J, K	35	3100	0.170	700	18.70	70	21.40	69	Blue
22 @ 250 (MHz)	G, J, K	38	3000	0.190	700	22.80	73	26.10	71	Violet
24 @ 250 (MHz)	G, J, K	37	2650	0.135	700	24.50	45	28.70	39	Black
27 @ 250 (MHz)	G, J, K	40	2800	0.220	600	29.20	74	34.60	65	Gray
30 @ 250 (MHz)	G, J, K	37	2250	0.144	600	31.40	47	39.90	28	Brown
33 @ 250 (MHz)	G, J, K	40	2300	0.220	600	36.00	67	49.50	42	White
36 @ 250 (MHz)	G, J, K	38	2080	0.250	600	39.40	47	52.70	24	Red
39 @ 250 (MHz)	G, J, K	40	2200	0.250	600	42.70	60	60.20	40	Black
43 @ 250 (MHz)	G, J, K	39	2000	0.280	600	47.00	44	64.90	21	Orange
47 @ 200 (MHz)	G, J, K	38	2000	0.280	600	52.20	62	77.20	35	Brown
56 @ 200 (MHz)	G, J, K	38	1900	0.310	600	62.50	56	97.00	26	Red
68 @ 200 (MHz)	G, J, K	37	1700	0.340	600	80.50	54	168.00	21	Orange
72 @ 150 (MHz)	G, J, K	34	1700	0.490	400	82.00	53	135.00	20	Yellow
82 @ 150 (MHz)	G, J, K	34	1700	0.540	400	96.20	54	177.00	21	Green
100 @ 150 (MHz)	G, J, K	34	1400	0.580	400	124.00	49	319.50	13	Blue
110 @ 150 (MHz)	G, J, K	32	1350	0.610	300	138.00	43	342.70	15	Violet
120 @ 150 (MHz)	G, J, K	32	1300	0.650	300	166.00	39	529.30	8	Gray
150 @ 150 (MHz)	G, J, K	32	1300	0.950	280	230.00	25	-	-	White
180 @ 100 (MHz)	G, J, K	25	1250	1.400	250	303.00	20	-	-	Black
220 @ 100 (MHz)	G, J, K	25	1200	1.600	250	440.00	15	-	-	Brown
270 @ 100 (MHz)	G, J, K	25	900	2.100	200	580.00	12	-	-	Red
330 @ 100 (MHz)	G, J, K	25	900	3.800	100	440.00	15	-	-	Blue
390 @ 100 (MHz)	G, J, K	25	900	4.350	100	580.00	12	-	-	Yellow

ATC Part Number Code

0603 WL 100 J T

EIA Case Size: 0402, 0603, 0805, 1008, 1206

Wire Wound Inductor

Inductance value in nH. 1st and 2nd digits are significant digits. 3rd digit is multiplier. R is decimal point.

Packaging: T - Tape & Reel

Tolerance: See table below.

Inductance Tolerances			
Code	G	J	K
Tol.	± 2%	± 5%	± 10%

Mechanical Configurations

A max.	B max.	C max.	D ref.	E	F	G	H	I	J
.071 (1.80)	.044 (1.12)	.040 (1.02)	.015 (0.38)	.030 (0.76)	.013 (0.33)	.034 (0.86)	.040 (1.02)	.025 (0.64)	.025 (0.64)

Terminations for all WL Series Inductor Case Sizes are Lead-Free, RoHS Compliant, Tin Plated over Nickel Barrier.

The above part number refers to an ATC 0603 WL wire wound chip inductor, 10 nH, J (±5%) tolerance, in tape and reel packaging. Tighter tolerances are available. Consult factory.

Inches (mm)

AMERICAN TECHNICAL CERAMICS

ATC North America
631-622-4700 • sales@atceramics.com

ATC Europe
+46 8 6800410 • sales@atceramics-europe.com

ATC Asia
+86-755-2396-8759 • sales@atceramics-asia.com

ATC 0805 WL SERIES WIRE WOUND CHIP INDUCTORS

Inductor Selection Guide

Inductance (nH)	Tolerance Code	Q (MHz) min.	SRF (MHz) min.	RDC (Ohms) max.	IDC (mA) max.	Color code
2.8 @ 250 (MHz)	J, K	80 @ 1500	7900	0.060	800	Gray
3.0 @ 250 (MHz)	J, K	65 @ 1500	7900	0.060	800	White
3.3 @ 250 (MHz)	J, K	50 @ 1500	7900	0.080	600	Black
5.6 @ 250 (MHz)	J, K	65 @ 1500	5500	0.080	600	Orange
6.8 @ 250 (MHz)	J, K	50 @ 1000	5500	0.110	600	Brown
7.5 @ 250 (MHz)	J, K	50 @ 1000	4500	0.140	600	Green
8.2 @ 250 (MHz)	J, K	50 @ 1000	4700	0.120	600	Red
10 @ 250 (MHz)	G, J, K	60 @ 500	4200	0.100	600	Blue
12 @ 250 (MHz)	G, J, K	50 @ 500	4000	0.150	600	Orange
15 @ 250 (MHz)	G, J, K	50 @ 500	3400	0.170	600	Yellow
18 @ 250 (MHz)	G, J, K	50 @ 500	3300	0.200	600	Green
22 @ 250 (MHz)	G, J, K	55 @ 500	2600	0.220	500	Blue
24 @ 250 (MHz)	G, J, K	50 @ 500	2000	0.220	500	Gray
27 @ 250 (MHz)	G, J, K	55 @ 500	2500	0.250	500	Violet
33 @ 250 (MHz)	G, J, K	60 @ 500	2050	0.270	500	Gray
36 @ 250 (MHz)	G, J, K	55 @ 500	1700	0.270	500	Orange
39 @ 250 (MHz)	G, J, K	60 @ 500	2000	0.290	500	White
43 @ 200 (MHz)	G, J, K	60 @ 500	1650	0.340	500	Yellow
47 @ 200 (MHz)	G, J, K	60 @ 500	1650	0.310	500	Black
56 @ 200 (MHz)	G, J, K	60 @ 500	1550	0.340	500	Brown
68 @ 200 (MHz)	G, J, K	60 @ 500	1450	0.380	500	Red
82 @ 150 (MHz)	G, J, K	65 @ 500	1300	0.420	400	Orange
91 @ 150 (MHz)	G, J, K	65 @ 500	1200	0.480	400	Black
100 @ 150 (MHz)	G, J, K	65 @ 500	1200	0.460	400	Yellow
110 @ 150 (MHz)	G, J, K	50 @ 250	1000	0.480	400	Brown
120 @ 150 (MHz)	G, J, K	50 @ 250	1100	0.510	400	Green
150 @ 100 (MHz)	G, J, K	50 @ 250	920	0.560	400	Blue
180 @ 100 (MHz)	G, J, K	50 @ 250	870	0.640	400	Violet
220 @ 100 (MHz)	G, J, K	50 @ 250	850	0.700	400	Gray
240 @ 100 (MHz)	G, J, K	44 @ 250	690	1.000	350	Red
270 @ 100 (MHz)	G, J, K	48 @ 250	650	1.300	350	White
330 @ 100 (MHz)	G, J, K	48 @ 250	600	1.650	310	Black
390 @ 100 (MHz)	G, J, K	48 @ 250	560	1.800	290	Brown
470 @ 50 (MHz)	G, J, K	33 @ 100	375	2.000	250	Red
560 @ 25 (MHz)	G, J, K	23 @ 50	340	2.100	230	Orange
620 @ 25 (MHz)	G, J, K	23 @ 50	220	2.200	210	Yellow
680 @ 25 (MHz)	G, J, K	23 @ 50	188	2.300	190	Green
750 @ 25 (MHz)	G, J, K	23 @ 50	200	2.300	180	Blue
820 @ 25 (MHz)	G, J, K	18 @ 50	215	2.500	180	Violet
1000 @ 25 (MHz)	G, J, K	20 @ 50	100	2.500	170	Gray
1200 @ 25 (MHz)	G, J, K	18 @ 25	100	2.500	170	White
1500 @ 25 (MHz)	G, J, K	16 @ 25	100	2.500	170	Black
1800 @ 25 (MHz)	G, J, K	16 @ 7.9	80	2.500	170	Brown
2200 @ 25 (MHz)	G, J, K	16 @ 7.9	60	2.700	160	Red
2700 @ 25 (MHz)	G, J, K	16 @ 7.9	50	2.950	150	Orange
3300 @ 7.9 (MHz)	G, J, K	15 @ 7.9	40	4.400	90	Blue
4700 @ 7.9 (MHz)	G, J, K	15 @ 7.9	40	6.400	90	Green

ATC Part Number Code

0805 WL 100 K T

EIA Case Size — 0402, 0603, 0805, 1008, 1206

Wire Wound Inductor

Inductance value in nH. 1st and 2nd digits are significant digits. 3rd digit is multiplier. R is decimal point.

Package — T - Tape & Reel

Tolerance. See table below.

Inductance Tolerances			
Code	G	J	K
Tol.	± 2%	± 5%	± 10%

Mechanical Configurations

A max.	B max.	C max.	D ref.	E	F	G	H	I	J
0.09 (2.29)	.068 (1.73)	0.06 (1.52)	0.02 (0.51)	0.05 (1.27)	0.02 (0.51)	0.04 (1.02)	0.07 (1.78)	0.04 (1.02)	0.03 (0.76)

Terminations for all WL Series Inductor Case Sizes are **Lead-Free, RoHS Compliant**, Tin Plated over Nickel Barrier.

The above part number refers to an ATC 0805 WL wire wound chip inductor, 10 nH, K (±10%) tolerance, in tape and reel packaging. Tighter tolerances are available. Consult factory.

Inches (mm)

AMERICAN TECHNICAL CERAMICS

ATC North America
631-622-4700 • sales@atceramics.com

ATC Europe
+46 8 6800410 • sales@atceramics-europe.com

ATC Asia
+86-755-2396-8759 • sales@atceramics-asia.com

ATC 1008 WL SERIES WIRE WOUND CHIP INDUCTORS

Inductor Selection Guide

Inductance (nH)	Tolerance Code	Q (MHz) min.	SRF (MHz) min.	RDC (Ohms) max.	IDC (mA) max.	Color code
10 @ 50 MHz	G, J, K	50 @ 500	4100	0.08	1000	Brown
12 @ 50 MHz	G, J, K	50 @ 500	3300	0.09	1000	Red
15 @ 50 MHz	G, J, K	50 @ 500	2500	0.11	1000	Orange
18 @ 50 MHz	G, J, K	50 @ 350	2400	0.12	1000	Yellow
22 @ 50 MHz	G, J, K	55 @ 350	2400	0.12	1000	Green
27 @ 50 MHz	G, J, K	55 @ 350	1600	0.13	1000	Violet
33 @ 50 MHz	G, J, K	60 @ 350	1600	0.14	1000	Gray
39 @ 50 MHz	G, J, K	60 @ 350	1500	0.15	1000	White
47 @ 50 MHz	G, J, K	65 @ 350	1500	0.16	1000	Black
56 @ 50 MHz	G, J, K	65 @ 350	1300	0.18	1000	Brown
68 @ 50 MHz	G, J, K	65 @ 350	1300	0.20	1000	Red
82 @ 50 MHz	G, J, K	60 @ 350	1000	0.22	1000	Orange
100 @ 25 MHz	G, J, K	60 @ 350	1000	0.56	650	Yellow
120 @ 25 MHz	G, J, K	60 @ 350	950	0.63	650	Green
150 @ 25 MHz	G, J, K	45 @ 100	850	0.70	800	Blue
180 @ 25 MHz	G, J, K	45 @ 100	750	0.77	620	Violet
220 @ 25 MHz	G, J, K	45 @ 100	700	0.84	500	Gray
270 @ 25 MHz	G, J, K	45 @ 100	600	0.91	690	Black
330 @ 25 MHz	G, J, K	45 @ 100	570	1.05	450	Red
390 @ 25 MHz	G, J, K	45 @ 100	500	1.12	630	Yellow
470 @ 25 MHz	G, J, K	45 @ 100	450	1.19	470	Blue
560 @ 25 MHz	G, J, K	45 @ 100	415	1.33	580	Violet
620 @ 25 MHz	G, J, K	45 @ 100	375	1.40	300	Gray
680 @ 25 MHz	G, J, K	45 @ 100	375	1.47	540	White
750 @ 25 MHz	G, J, K	45 @ 100	360	1.54	360	Black
820 @ 25 MHz	G, J, K	45 @ 100	350	1.61	400	Brown
910 @ 25 MHz	G, J, K	35 @ 50	320	1.68	380	Red
1000 @ 25 MHz	G, J, K	35 @ 50	290	1.75	370	Orange
1200 @ 7.9 MHz	G, J, K	35 @ 50	250	2.00	310	Yellow
1500 @ 7.9 MHz	G, J, K	28 @ 50	200	2.30	330	Green
1800 @ 7.9 MHz	G, J, K	28 @ 50	160	2.60	300	Blue
2200 @ 7.9 MHz	G, J, K	28 @ 50	160	2.80	280	Violet
2700 @ 7.9 MHz	G, J, K	22 @ 25	140	3.20	290	Gray
3300 @ 7.9 MHz	G, J, K	22 @ 25	110	3.40	290	White
3900 @ 7.9 MHz	G, J, K	20 @ 25	100	3.60	260	Black
4700 @ 7.9 MHz	G, J, K	18 @ 25	90	4.00	260	Brown
5600 @ 7.9 MHz	G, J, K	16 @ 7.96	20	4.00	240	Red
6800 @ 7.9 MHz	G, J, K	15 @ 7.96	40	4.90	200	Orange
8200 @ 7.9 MHz	G, J, K	15 @ 7.96	25	6.00	170	Yellow
10000 @ 2.52 MHz	G, J, K	15 @ 7.96	20	9.00	150	Green
12000 @ 2.52 MHz	G, J, K	15 @ 7.96	18	10.5	130	Blue
15000 @ 2.52 MHz	G, J, K	15 @ 7.96	15	11.5	120	Violet

ATC Part Number Code

1008 **WL** **100** **K** **T**

EIA Case Size
 0402, 0603, 0805, 1008, 1206

Wire Wound Inductor

Inductance value in nH.
 1st and 2nd digits are significant digits.
 3rd digit is multiplier.
 R is decimal point.

Packaging
 T - Tape & Reel

Tolerance.
 See table below.

Inductance Tolerances			
Code	G	J	K
Tol.	± 2%	± 5%	± 10%

Mechanical Configurations

A max.	B max.	C max.	D ref.	E	F	G	H	I	J
0.16 (2.92)	0.11 (2.79)	0.08 (2.10)	0.02 (0.51)	0.08 (2.03)	0.02 (0.51)	0.06 (1.52)	0.10 (2.54)	0.04 (1.02)	0.05 (1.27)

Terminations for all WL Series Inductor Case Sizes are **Lead-Free, RoHS Compliant**, Tin Plated over Nickel Barrier.

The above part number refers to an ATC 1008 WL wire wound chip inductor, 10 nH, K (±10%) tolerance, in tape and reel packaging. Tighter tolerances are available. Consult factory.

Inches (mm)

AMERICAN TECHNICAL CERAMICS

ATC North America
 631-622-4700 • sales@atceramics.com

ATC Europe
 +46 8 6800410 • sales@atceramics-europe.com

ATC Asia
 +86-755-2396-8759 • sales@atceramics-asia.com

ATC 1206 WL SERIES WIRE WOUND CHIP INDUCTORS

Inductor Selection Guide

Inductance (nH)	Tolerance Code	Q (MHz) min.	SRF (MHz) min.	RDC (Ohms) max.	IDC (mA) max.	Color code
6.8 @ 100 (MHz)	J, K	30 @ 300	5500	.070	1000	Brown
10 @ 100 (MHz)	J, K	40 @ 300	4000	.080	1000	Red
12 @ 100 (MHz)	J, K	40 @ 300	3200	.080	1000	Orange
15 @ 100 (MHz)	J, K	40 @ 300	3200	.100	1000	Yellow
18 @ 100 (MHz)	J, K	50 @ 300	2800	.100	1000	Green
22 @ 100 (MHz)	J, K	50 @ 300	2200	.100	1000	Blue
27 @ 100 (MHz)	G, J, K	50 @ 300	1800	.110	1000	Violet
33 @ 100 (MHz)	G, J, K	55 @ 300	1800	.110	1000	Gray
39 @ 100 (MHz)	G, J, K	55 @ 300	1800	.120	1000	White
47 @ 100 (MHz)	G, J, K	55 @ 300	1500	.130	1000	Black
56 @ 100 (MHz)	G, J, K	55 @ 300	1450	.140	1000	Brown
68 @ 100 (MHz)	G, J, K	55 @ 300	1200	.260	950	Red
82 @ 100 (MHz)	G, J, K	55 @ 300	1200	.210	920	Orange
100 @ 100 (MHz)	G, J, K	55 @ 300	1100	.260	850	Yellow
120 @ 100 (MHz)	G, J, K	55 @ 300	750	.260	800	Green
150 @ 100 (MHz)	G, J, K	60 @ 300	950	.310	750	Blue
180 @ 50 (MHz)	G, J, K	55 @ 300	900	.430	700	Violet
220 @ 50 (MHz)	G, J, K	55 @ 300	760	.500	670	Gray
270 @ 50 (MHz)	G, J, K	40 @ 300	740	.560	630	White
330 @ 50 (MHz)	G, J, K	45 @ 150	650	.620	590	Black
390 @ 50 (MHz)	G, J, K	45 @ 150	600	.750	530	Brown
470 @ 50 (MHz)	G, J, K	45 @ 150	550	1.30	490	Red
560 @ 35 (MHz)	G, J, K	45 @ 150	470	1.34	460	Orange
620 @ 35 (MHz)	G, J, K	45 @ 150	470	1.58	460	Gray
680 @ 35 (MHz)	G, J, K	45 @ 150	450	1.58	430	Yellow
750 @ 35 (MHz)	G, J, K	45 @ 150	440	2.25	320	White
820 @ 35 (MHz)	G, J, K	45 @ 150	420	1.82	400	Green
910 @ 35 (MHz)	G, J, K	45 @ 150	410	2.95	310	Gray
1000 @ 35 (MHz)	G, J, K	45 @ 150	400	2.80	320	Blue
1200 @ 35 (MHz)	G, J, K	45 @ 150	380	3.20	300	Violet

ATC Part Number Code

1206 WL 100 K T

EIA Case Size
0402, 0603, 0805, 1008, 1206

Wire Wound Inductor
Inductance value in nH.
1st and 2nd digits are significant digits.
3rd digit is multiplier.
R is decimal point.

Package
T - Tape & Reel

Tolerance.
See table below.

Inductance Tolerances			
Code	G	J	K
Tol.	± 2%	± 5%	± 10%

Mechanical Configurations

A max.	B max.	C max.	D ref.	E	F	G	H	I	J
0.14 (3.56)	.085 (2.16)	0.06 (1.52)	0.02 (0.51)	0.06 (1.52)	0.02 (0.51)	0.08 (2.03)	0.08 (2.03)	0.04 (1.02)	0.07 (1.78)

Terminations for all WL Series Inductor Case Sizes are **Lead-Free, RoHS Compliant**, Tin Plated over Nickel Barrier.

The above part number refers to an ATC 1206 WL wire wound chip inductor, 10 nH, K (±10%) tolerance, in tape and reel packaging. Tighter tolerances are available. Consult factory.

Inches (mm)

1206 Series available by special order non stock item, consult factory for availability.

AMERICAN TECHNICAL CERAMICS

ATC North America
631-622-4700 • sales@atceramics.com

ATC Europe
+46 8 6800410 • sales@atceramics-europe.com

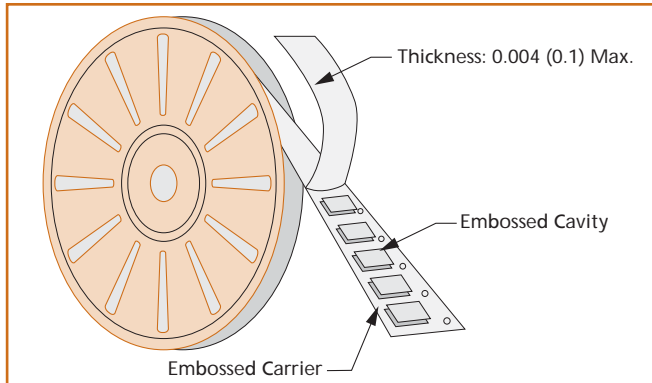
ATC Asia
+86-755-2396-8759 • sales@atceramics-asia.com

ATC WL SERIES WIRE WOUND CHIP INDUCTORS

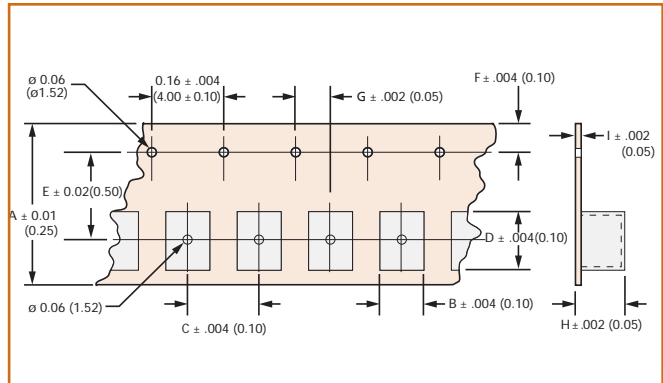
Tape and Reel Specifications

ATC WL Series Inductor Products are supplied on tape and reel in standard quantities of 500, 2000 and 4000 parts per reel (see table below), making them ideal for automated pick and place manufacturing applications.

Packaging



Tape Dimensions



Series	A Dim.	B Dim.	C Dim.	D Dim.	E Dim.	F Dim.	G Dim.	H Dim.	I Dim.	Pcs. / per reel
0402WL	0.32 (8.00)	.044 (1.10)	.080 (2.00)	.070 (1.75)	.140 (3.50)	.070 (1.75)	.080 (2.00)	.024 (0.60)	.010 (0.25)	500/4000
0603WL	0.32 (8.00)	.044 (1.10)	0.16 (4.00)	.070 (1.75)	.140 (3.50)	.070 (1.75)	.080 (2.00)	.042 (1.05)	.010 (0.25)	500/4000
0805WL	0.32 (8.00)	.075 (1.88)	0.16 (4.00)	.095 (2.38)	.140 (3.50)	.070 (1.75)	.080 (2.00)	.054 (1.35)	.008 (0.20)	500/2000
1008WL	0.32 (8.00)	.109 (2.73)	0.16 (4.00)	.115 (2.88)	.140 (3.50)	.070 (1.75)	.080 (2.00)	.090 (2.25)	.008 (0.20)	500/2000
1206WL	0.32 (8.00)	.109 (2.73)	0.16 (4.00)	.115 (2.88)	.140 (3.50)	.070 (1.75)	.080 (2.00)	0.10 (2.50)	.008 (0.20)	2000

Inductor Design Kits

ATC's WL Series Inductor Design Kits contain a selection of standard inductance values for circuit prototyping.



Kit #	Item #	Description	Inductor Value range (nH)	Inductor Values (nH)	Tol.	Price
Kit 51	DK0051	0402 WL Chip Inductors 23 different values, 15 pieces per value	1.0nH to 56nH	1.0	10%	\$120.00
				2.0, 2.2, 3.3, 3.6, 3.9, 5.1, 5.6, 6.2, 7.5, 8.2, 9.0, 10, 11, 12, 15, 19, 23, 27, 36, 40, 47, 56	5%	
Kit 52	DK0052	0603 WL Chip Inductors 42 different values, 15 pieces per value	1.6nH to 390nH	1.6, 1.8, 3.3, 3.6, 3.9, 4.3, 4.7, 5.1, 5.6, 6.8, 7.5, 8.2, 8.7, 9.5, 10, 11, 12, 15, 16, 18, 22, 24, 27, 30, 33, 36, 39, 43, 47, 56, 68, 72, 82, 100, 110, 120, 150, 180, 220, 270, 330, 390	5%	\$120.00
Kit 53	DK0053	0805 WL Chip Inductors 45 different values, 15 pieces per value	2.8nH to 2700nH	2.8, 3.0, 3.3, 5.6, 6.8, 7.5, 8.2, 10, 12, 15, 18, 22, 24, 27, 33, 36, 39, 43, 47, 56, 68, 82, 91, 100, 110, 120, 150, 180, 220, 240, 270, 330, 390, 470, 560, 620, 680, 750, 820, 1000, 1200, 1500, 1800, 2200, 2700	5%	\$120.00
Kit 54	DK0054	1008 WL Chip Inductors 42 different values, 15 pieces per value	10nH to 15,000nH	10, 12, 15, 18, 22, 27, 33, 39, 47, 56, 68, 82, 100, 120, 150, 180, 220, 270, 330, 390, 470, 560, 620, 680, 750, 820, 910, 1000, 1200, 1500, 1800, 2200, 2700, 3300, 3900, 4700, 5600, 6800, 8200, 10,000, 12,000, 15,000	5%	\$120.00

A M E R I C A N T E C H N I C A L C E R A M I C S

ATC North America
631-622-4700 • sales@atceramics.com

ATC Europe
+46 8 6800410 • sales@atceramics-europe.com

ATC Asia
+86-755-2396-8759 • sales@atceramics-asia.com

ATC WL SERIES WIRE WOUND CHIP INDUCTORS

Inductor Quality Assurance:

ATC ensures that all of its contracted component manufacturing facilities are ISO 9000 Registered, and that an outgoing product quality level of better than 100 PPM is maintained. ATC'S WL Series products have successfully passed the most rigorous environmental, mechanical and electrical validations. All manufacturing lots receive a tollgate sample inspection of the primary parameter values used to specify an inductor. The test equipment and fixtures listed below in the RF Measurement Table are used to verify RF performance parameters for ATC's WL Series Inductor Products.

Quality and Reliability Testing - Environmental

Item	Examination	Test Method	Performance Specifications
1	High Temperature Storage	Inductors are subjected to +125°C for 48 hours, then tested after 1 hour at room temperature.	<ul style="list-style-type: none"> Inductors shall not have a shorted or open winding. Change in inductance: shall not change more than ±5%. Change in Q: shall not change more than ±10%.
2	Low Temperature Storage	Inductors are subjected to -40°C for 48 hours, then tested after 1 hour at room temperature.	
3	Thermal Shock	Inductors are subjected to 10 cycles of -40°C for 30 min. and +125°C for 30 min., then tested after 1 hour at room temperature.	
4	Moisture Resistance	Inductors are subjected to 10 25-hour cycles from 25°C to 65°C at 80 to 90% RH, and are exposed to -10°C for 3 hours during one of the cycles. Samples are then tested after 2 hours at room temperature.	
5	Life Test	Inductors are subjected to 110°C for 1,000 hours at rated current. Samples are then tested after 1 hour at room temperature.	

Quality and Reliability Testing - Mechanical

Item	Examination	Test Method	Performance Specifications
1	Solderability Dip	Dip terminals into molten Sn63 at 235°C for 5 sec.	Terminals shall exhibit a continuous solder coating free of defects for a minimum of 95% of surface.
2	Adhesion	Reflow solder to circuit lands. A force gauge is applied to side of component.	1 lb. for 0402 2 lbs. for 0603 4 lbs. for all larger parts
3	Vibration	10 to 2000 Hz, 5 Gs for 20 minutes, 12 cycles each, 3 orientations.	1. No mechanical damage 2. Change in L less than ±5% 3. Change in Q less than ±10%
4	Mechanical Shock	MIL-STD-202, method 213, condition A. Test mounted parts 2 axes 6 times (50 G's, 11 ms, half-sine).	1. No mechanical damage 2. Change in L less than ±5% 3. Change in Q less than ±10%

RF Test Measurements

Measured Parameter	Test Equipment	Fixture(s)
Inductance (L)	HP 4291B Impedance Analyzer	Bottom Electrode SMD Test Fixture, Model 16197A
Quality Factor (Q)		
Self Resonant Frequency (SRF)	HP 8722D Vector Network Analyzer	Anritsu Universal test fixture Model 3680K with substrate DUT adapters
DC Resistance (DCR)	Micro-ohm meter	Four Wire Kelvin Probes

A M E R I C A N T E C H N I C A L C E R A M I C S

ATC North America
631-622-4700 • sales@atceramics.com

ATC Europe
+46 8 6800410 • sales@atceramics-europe.com

ATC Asia
+86-755-2396-8759 • sales@atceramics-asia.com

CONTACT INFORMATION

ATC NORTH AMERICA

AMERICAN TECHNICAL CERAMICS

One Norden Lane, Huntington Station, NY 11746-2142
Phone: 631-622-4700 • Fax: 631-622-4748
email: sales@atceramics.com • website: www.atceramics.com

ATC EUROPE

For technical support in your region, please contact the local office in Germany or the UK. For sales orders and all other transactions in Europe, Africa and the Middle East, please contact the ATC Sales, Applications Support and Distribution Center in Stockholm, Sweden.

SALES, APPLICATIONS SUPPORT & DISTRIBUTION CENTER

Serving Europe, Africa and the Middle East

AMERICAN TECHNICAL CERAMICS AB

Ellipsvaegen 5

SE-141 75 Kungens Kurva, Sweden

Phone: +46 8 6800410 • Fax: +46 8 6800415 (main) • Mobile: +46 805901399

email: sales@atceramics-europe.com • website: www.atceramics-europe.com

ATC EUROPE - REGIONAL SATELLITE OFFICE, GERMANY

AMERICAN TECHNICAL CERAMICS

Raiffeisenstrasse 12

D-83607 Holzkirchen, Germany

Phone: +49 8024 6083978 • Fax: +49 8024 6083979 Mobile: +49 1515 4106982

email: twiesner@atceramics-europe.com

ATC EUROPE - REGIONAL SATELLITE OFFICE, RUSSIA

AMERICAN TECHNICAL CERAMICS

Komsomolsky Prospect., 42 Bldg. 3, Office 9

Moscow, 119048, Russia

Phone: +7 499 255 2747 • Fax: +7 499 245 9115 • Mobile: +7 495 774 7888

Email: dburmistrov@atceramics-europe.com

ATC EUROPE - REGIONAL SATELLITE OFFICE, UK

AMERICAN TECHNICAL CERAMICS

34 Pewley Way

Guildford, Surrey, England, GU1 3QA

Phone: +44 1483207402 • Fax: +46 8 6800415 • Mobile: +44 8817221903

email: mchapman@atceramics-europe.com • website: www.atceramics-europe.com

ATC ASIA SALES AND TECHNICAL SUPPORT OFFICE

AMERICAN TECHNICAL CERAMICS (CHINA) LIMITED

Unit D & E, 11/F JunYun Century Building,

No. 6033 Chegongmiao, Shennan Road, Futian Dist. Shenzhen,

Guangdong Province, 518031 P. R. China

Phone: +86 755 2396 8759 • Fax: +86 755 2396 8442

e-mail: sales@atceramics-asia.com • website: www.atceramics-asia.com

REGIONAL SATELLITE OFFICE, HYDERABAD - INDIA

Flat No. 303, Sai Teja Towers

Plot No. 18, Engineers Colony

Yellareddy Guda, Hyderabad - 500 073

Phone: +91 40 55 620064 • Fax: +91 40 23 733984

email: mvrao@atceramics.com

Sales of ATC products are subject to the terms and conditions contained in American Technical Ceramics Corp. Terms and Conditions of Sale (ATC document #001-992 Rev. B 12/05). Copies of these terms and conditions will be provided upon request. They may also be viewed on ATC's website at www.atceramics.com/productfinder/default.asp. Click on the link for Terms and Conditions of Sale.

ATC has made every effort to have this information as accurate as possible. However, no responsibility is assumed by ATC for its use, nor for any infringements of rights of third parties which may result from its use. ATC reserves the right to revise the content or modify its product without prior notice.

© 2001 American Technical Ceramics Corp. All Rights Reserved.

ATC # 001-960 Rev. I: 3/09

A M E R I C A N T E C H N I C A L C E R A M I C S

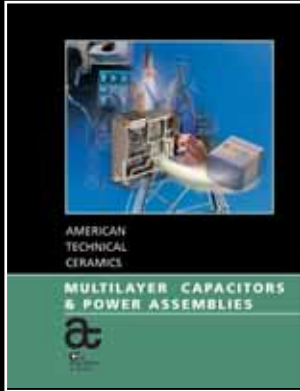
ATC North America
631-622-4700 • sales@atceramics.com

ATC Europe
+46 8 6800410 • sales@atceramics-europe.com

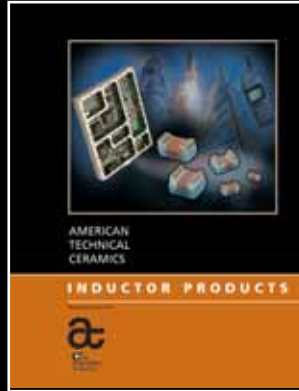
ATC Asia
+86-755-2396-8759 • sales@atceramics-asia.com

w w w . a t c e r a m i c s . c o m

Other ATC Product Catalogs



Multilayer Capacitors
& Power Assemblies



Inductor
Products



High Power
Resistive Products



Custom Thin Film
Products



Single Layer
Capacitors



AMERICAN TECHNICAL CERAMICS

ATC North America
631-622-4700
sales@atceramics.com

ATC Europe
+46 8 6800410
sales@atceramics-europe.com

ATC Asia
+86-755-2386-8759
sales@atceramics-asia.com



www.atceramics.com