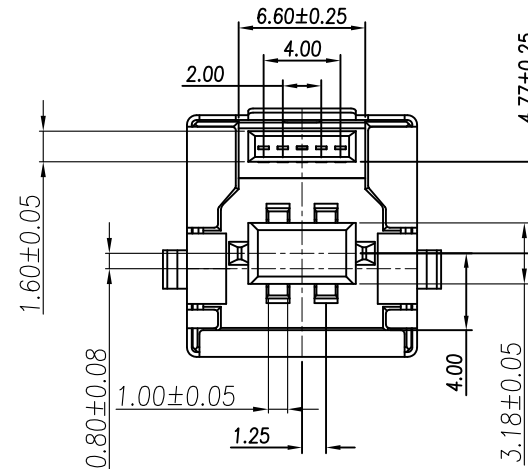
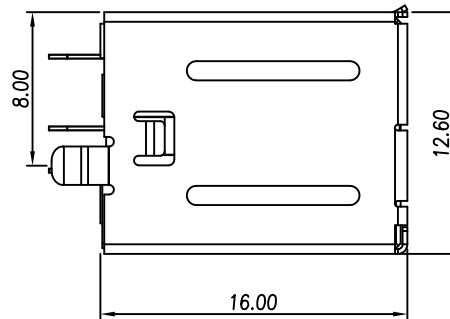
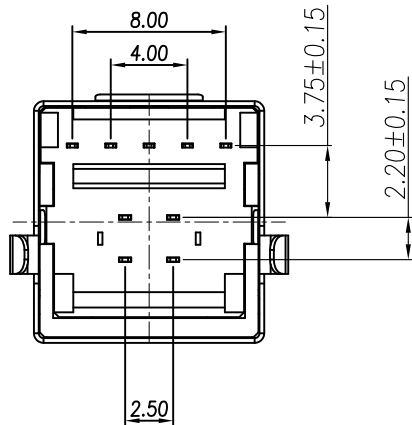


RECOMMENDED PCB LAYOUT
(TOLERANCE +/-0.05)



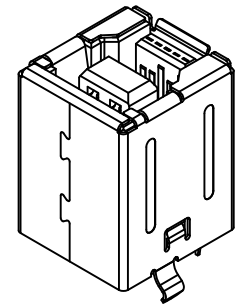
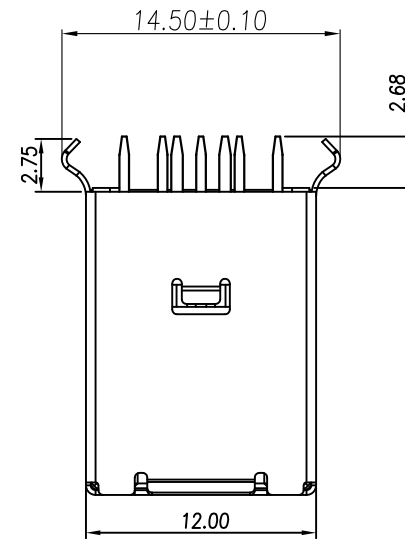
Ordering Information

TUEB9F1DXY

Contact Plating

1= 15u" Gold

3=30u" Gold



1. MATERIAL :
 - 1-1. HOUSING : PBT ,UL94V-0; COLOR:BLUE
 - 1-2. CONTACT(USB 3.0) : BRASS
 - 1-3. CONTACT(USB 2.0): PHOSPHOR BRONZE
 - 1-4. SHELL : BRASS
2. FINISH :
 - 2-1. CONTACT :
 - CONTACT AREA : AU 15u" OR 30u".
 - SOLDER AREA : MATTE-TIN
 - UNDER PLATE : NICKEL
 - 2-2. SHELL : NICKEL PLATED OVER ALL



| TOLERANCE (mm) | APPROVALS | DATE | TITLE | AMPHENOL Amphenol European Design Center | |
|----------------------------|-------------------|--------------|----------------------|--|--------------|
| X. ±0.35 | DRAWN Stephane | 30/Nov/2010 | USB 3.0 B F Vertical | Scale N.A. | Sheet 1 of 1 |
| X.X ±0.25 | CHECKED Rob | 30/Nov/2010 | | | |
| X.XX ±0.15 | APPROVED Rob | 30/Nov/2010 | | | |
| UNLESS OTHERWISE SPECIFIED | | UNIT : mm | SIZE : A4 | DRAWING N° TUEB9F1DXY | REV. A |