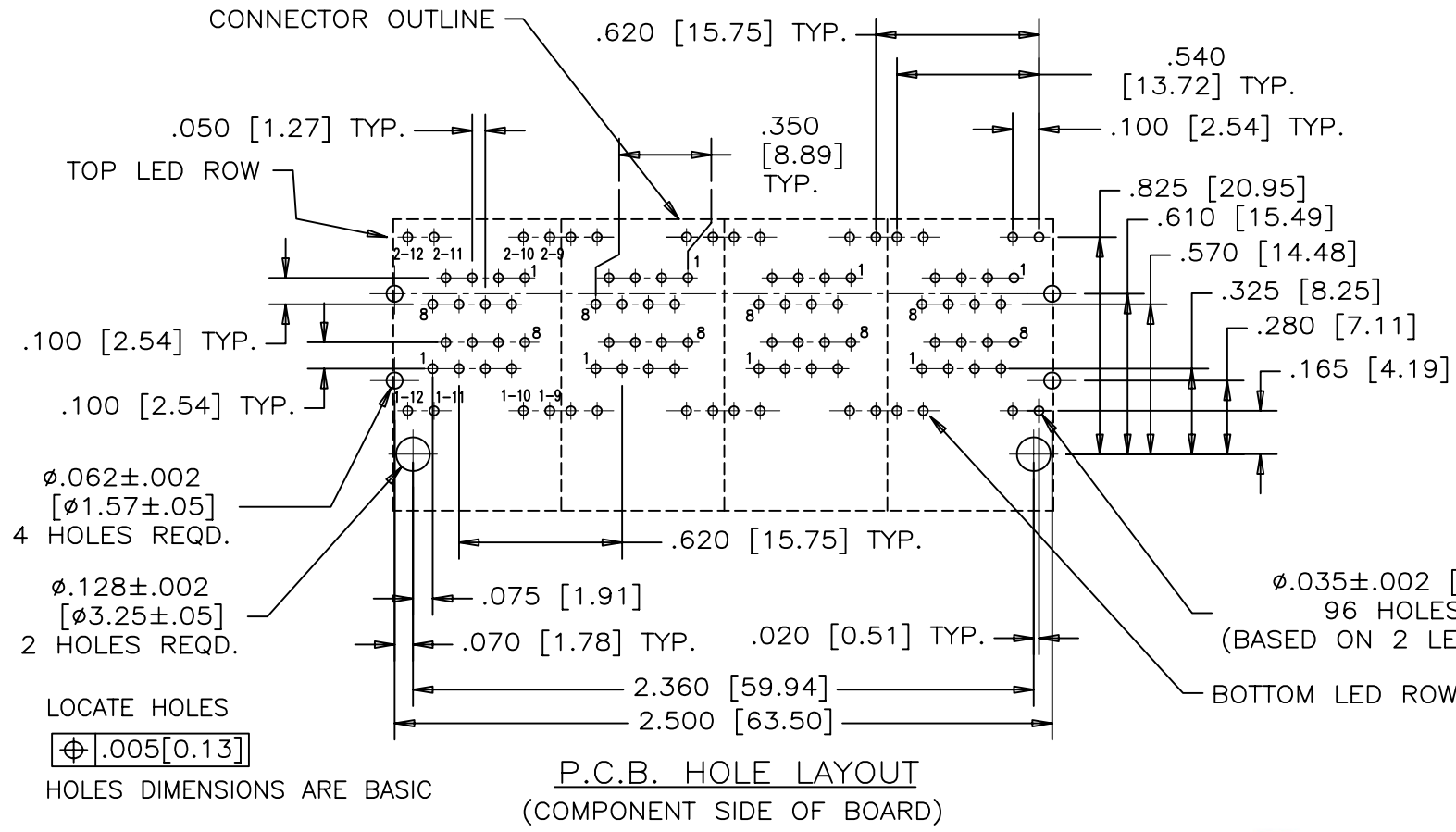
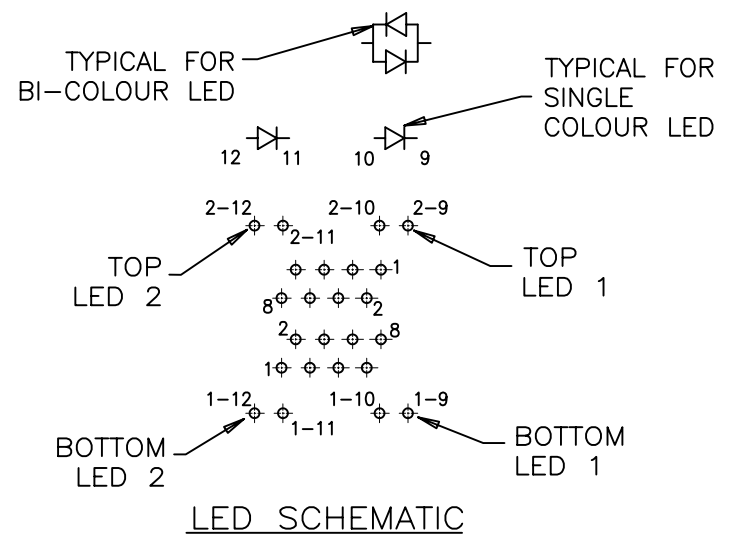
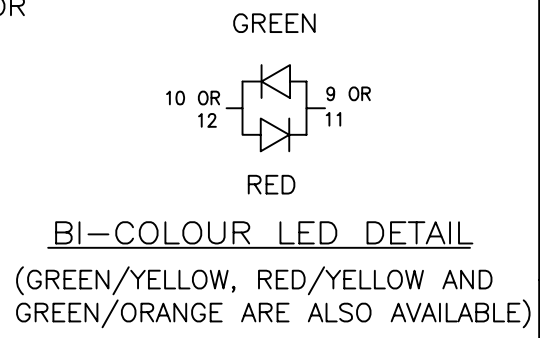
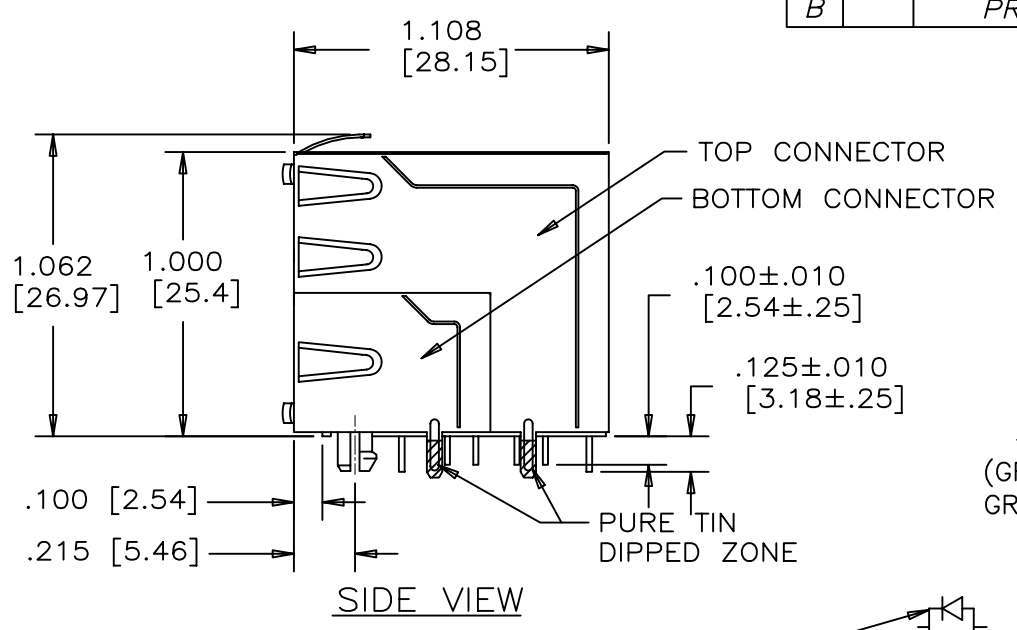
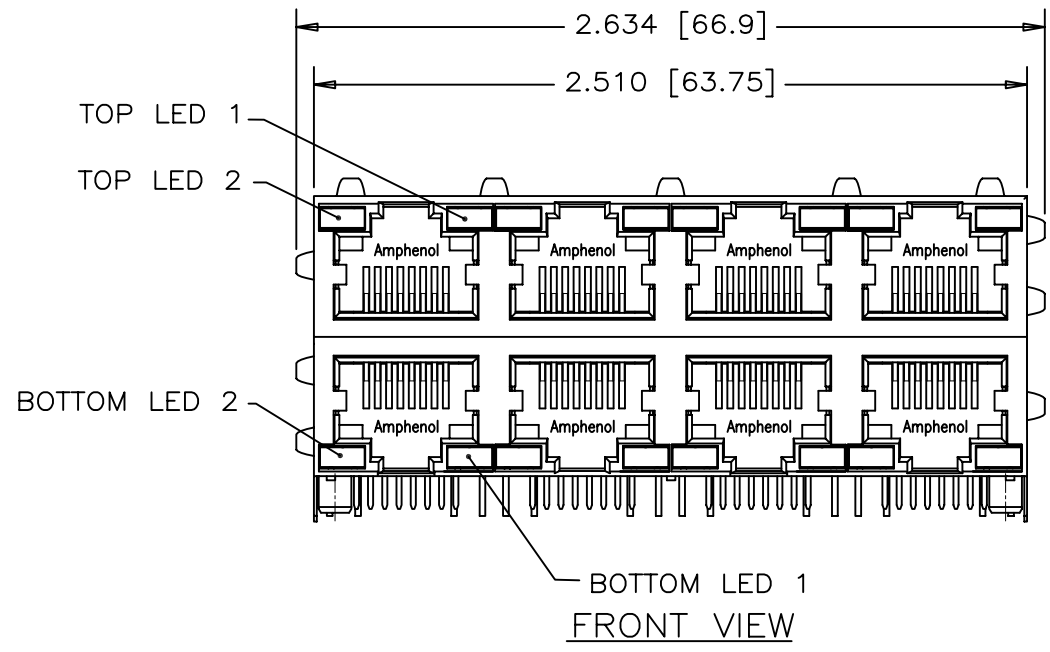
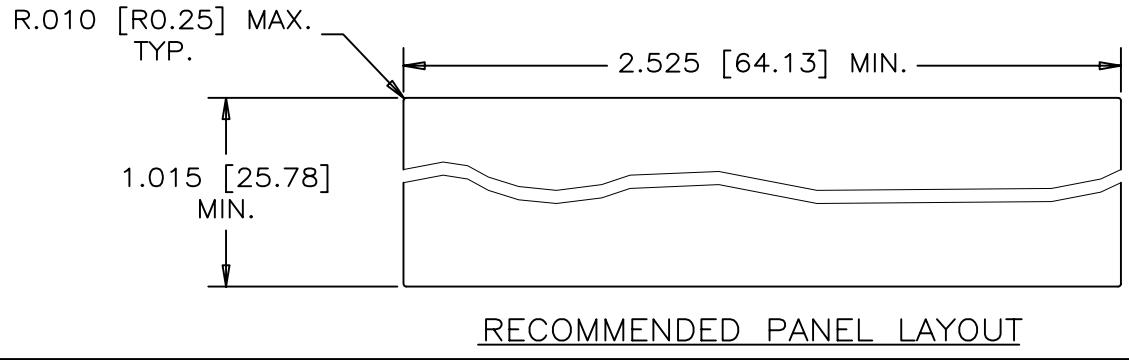


| REVISIONS | | | | |
|-----------|------|--------------|------------|--------|
| SYM | ZONE | ECN, ERN NO. | DATE | APPRD. |
| B | | PROPOSAL | 12/19/2005 | L.CHAN |



MATERIALS:
HOUSING: HIGH TEMPERATURE THERMOPLASTIC. FLAMMABILITY RATING UL 94V-0
CONTACTS: PHOSPHOR BRONZE
 PLATING: 50μ" [1.27 MICRONS] MIN. GOLD OVER MATING SURFACES. 50μ" [1.27 MICRONS] MIN. NICKEL UNDERPLATE. 100μ" [2.54 MICRONS] MIN. MATTE TIN OR GOLD FLASH ON CONTACT TAILS.
SHIELD: COPPER ALLOY
 PLATING: NICKEL WITH PURE TIN DIPPED PCB TAIL.

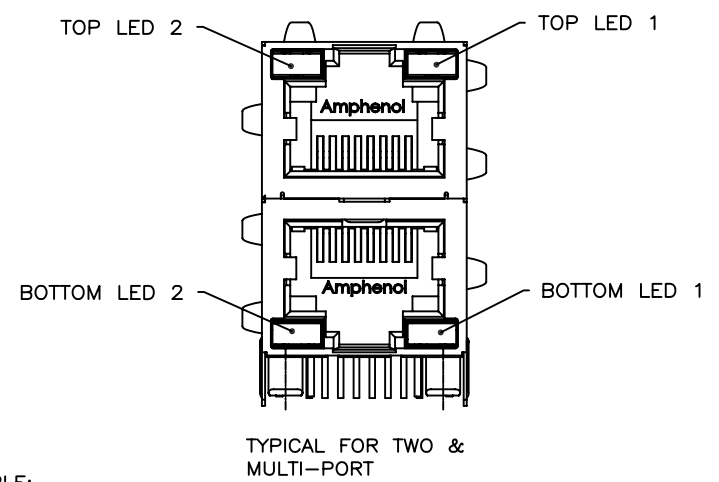
PART NUMBER: RJSAE-538X-08X
 REFER TO LED OPTIONS DRAWING FOR ORDERING CODES



THIS DOCUMENT CONTAINS PROPRIETARY INFORMATION AND SUCH INFORMATION MAY NOT BE DISCLOSED TO OTHERS FOR ANY PURPOSE OR USED FOR MANUFACTURING PURPOSES WITHOUT WRITTEN PERMISSION FROM AMPHENOL CANADA CORP.

| | | | | |
|----------------|---------------|---------------------------------------------------------------------------------------------------------|------------------|--------------|
| DRAWN PWANG | DATE 05/12/19 | Amphenol Canada Corp. | | |
| DESIGNED | | | | |
| CHECKED CHIGOW | DATE 05/12/19 | TITLE STACKABLE MULTI-PORT MODULAR JACK (8 POS. 8 CONTACTS, 2 LEDS PER PORT, SHIELDED) - RoHS COMPLIANT | | |
| I. E. APPRD. | | DWG | DRAWING NO. | REV. |
| Q. A. APPRD. | | | P-RJSAE-538X-08X | B |
| DWG. APPRD. | | SCALE | | |
| ENG. REL. NO. | | WT. | SURF. | SHEET 1 OF 1 |
| REF. | | CODE ID. NO. 03554 | | |

| REVISIONS | | | |
|-----------|------|--------------|-----------------|
| SYM | ZONE | ECN, ERN NO. | DATE APPRD. |
| D | | PROPOSAL | MAR24/08 L.CHAN |



LED SPECIFICATIONS:
 FORWARD VOLTAGE: 2.1 VOLTS TYP.
 REVERSE VOLTAGE: 5.0 VOLTS MIN.
 LUMINOUS INTENSITY: 0.5 mCd MIN.
 (AT If=2mA)
 STORAGE TEMPERATURE: -20° TO 85° C
 LEAD SOLDERING TEMPERATURE: 260° C
 (5 SEC, 1/16" FROM CASE)
 PLATING ON TAILS: TIN OR TIN/COPPER ALLOY OVER SILVER

EXAMPLE:
 PART NUMBER RJSAE-528X

+ — (ANODE) — — (CATHODE)

EXAMPLE:
 PART NUMBER RJSAE-538U-08-XX

LED COLOR CODE

BOTTOM ASSY LED (SAME AS STD CODE)

TOP ASSY LED (SAME AS STD CODE)

PRIMARY COLOR FOR BI-COLOR
 LEDS IN STANDARD ANODE/
 CATHODE CONFIGURATION IS:
 RED-GREEN= RED
 RED-YELLOW= RED
 GREEN-YELLOW= GREEN
 GREEN-ORANGE= GREEN

| CODE | LED 2 (LEFT) | LED 1 (RIGHT) | CODE | LED 2 (LEFT) | LED 1 (RIGHT) | CODE | LED 2 (LEFT) | LED 1 (RIGHT) |
|------|--------------|---------------|------|--------------|---------------|------|--------------------------------------------------|---------------|
| 0 | BLOCKED | BLOCKED | 9 | GREEN | BLOCKED | J | BiC RD/GR | YELLOW |
| 1 | YELLOW | GREEN | A | BiC GR/YE | BiC GR/YE | K | YELLOW | BiC GR/OR |
| 2 | BLOCKED | GREEN | B | BiC RD/GR | BiC RD/GR | L | BiC GR/YE | RED |
| 3 | YELLOW | BLOCKED | C | BiC RD/GR | BiC GR/YE | M | RED | YELLOW |
| 4 | GREEN | YELLOW | D | GREEN | BiC GR/YE | N | BiC GR/RD | BiC GR/YE |
| 5 | GREEN | GREEN | E | YELLOW | BiC GR/YE | P | GREEN | BiC RD/GR |
| 6 | YELLOW | YELLOW | F | BiC GR/YE | YELLOW | R | BiC GR/OR | GREEN |
| 7 | RED | GREEN | G | BiC GR/OR | BiC GR/OR | T | RED | RED |
| 8 | GREEN | RED | H | BiC GR/YE | GREEN | V | BiC RD/GR | GREEN |
| | | | | | | W | ADDITIONAL OPTIONS | |
| | | | | | | U | SPECIAL CODE FOR TOP & BOTTOM LEDS CONFIGURATION | |

LEGEND
 BiC=BI-COLOR LED
 LOWC=LOW CURRENT LED
 YE=YELLOW
 GR=GREEN
 RD=RED
 OR=ORANGE

EXAMPLE OF ADDITIONAL LED OPTIONS:
 PART NUMBER RJSAE-528W-A2X

ADDITIONAL LED COLOR CODE

DENOTES ADDITIONAL LED OPTIONS TO BE USED

| CODE | LED 2 (LEFT) | LED 1 (RIGHT) | CODE | LED 2 (LEFT) | LED 1 (RIGHT) | CODE | LED 2 (LEFT) | LED 1 (RIGHT) |
|------|--------------|---------------|------|--------------|---------------|------|--------------|---------------|
| 0 | DO NOT USE | | 5 | BLOCKED | YELLOW | A | LOWC YE | LOWC YE |
| 1 | RED | BLOCKED | 6 | RED | BiC RD/GR | B | LOWC YE | LOWC GR |
| 2 | BiC GR/OR | YELLOW | 7 | | | C | LOWC GR | LOWC YE |
| 3 | YELLOW | RED | 8 | BiC RD/GR | BLOCKED | D | LOWC GR | LOWC GR |
| 4 | BLOCKED | RED | 9 | BiC GR/YE | BLOCKED | E | BLOCKED | LOWC GR |
| | | | | | | F | LOWC GR | LOWC RD |
| | | | | | | G | LOWC RD | LOWC GR |
| | | | | | | M | LOWC RD | LOWC YE |
| | | | | | | N | GEEN | BiC GR/OR |

NOTE:
 THE TWO DIGITS PRECEDING THE
 ADDITIONAL LED CODE MUST BE
 USED IN THE PART NUMBER, WHEN
 ORDERING ANY OF THE ADDITIONAL
 LED OPTIONS.

| | | | | |
|-------------------------------|--------------------|---------------------------------------------------------------------------|-------------|--------|
| DRAWN ChigowX | DATE NOV.16/06 | Amphenol Canada Corp. | | |
| DESIGNED | | | | |
| CHECKED LCHAN | DATE NOV.16/06 | TITLE LED OPTIONS FOR RJSAE, MULTI-PORT CONNECTORS - RoHS COMPLIANT | | |
| I. E. APPRD. | | | | |
| Q. A. APPRD. | | DWG DRAWING NO. P-RJSAE-LEDS | | |
| DWG. APPRD. | | | | |
| ENG. REL. NO. | | DWG | DRAWING NO. | REV. D |
| REF. | | SCALE _____ WT. _____ SURF. _____ SHEET 1 OF 1 | | |
| DIMENSIONS ARE IN INCHES [mm] | CODE ID. NO. 03554 | | | |

THIS DOCUMENT CONTAINS PROPRIETARY INFORMATION AND SUCH INFORMATION
 MAY NOT BE DISCLOSED TO OTHERS FOR ANY PURPOSE OR USED FOR MANUFACTURING
 PURPOSES WITHOUT WRITTEN PERMISSION FROM AMPHENOL CANADA CORP.