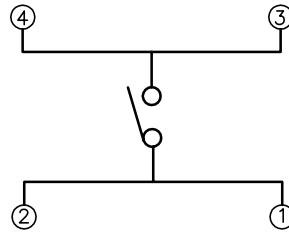
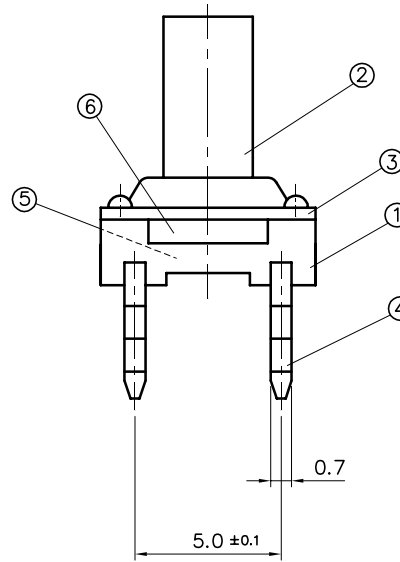
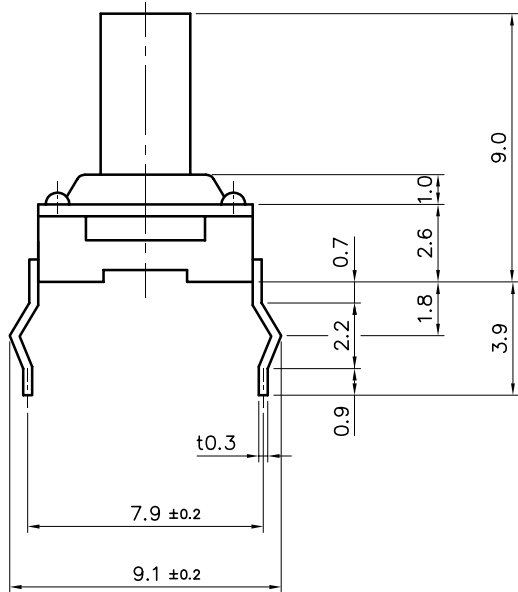


CIRCUIT DIAGRAM



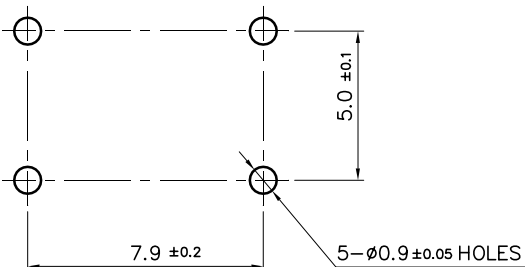
NO	PARTS	Q'TY	MATERIAL	REMARK
1	CASE	1	NYLON 66 -V0	
2	STEM	1	NYLON 66 -V0	
3	COVER	1	t0.3 C2680R-EH	Sn3 $\mu$
4	TERMINAL	1	t0.3 C2680R-EH	Ag0.5 $\mu$
5	C/PLATE	1	t0.06 C5210R-EH	Ag0.5 $\mu$
6	RUBBER	1	SILICON	
7	TAPE	1		



NOTE

- OPERATING FORCE : 200±30gf
- GENERAL TOLERANCE : ±0.3
- TRAVEL : 0.25<sup>+0.2</sup><sub>-0.1</sub>m/m
- CONTACT RESISTANCE : 100m $\Omega$  MAX
- MANUFACTURING SPECIFICATION WOULD BE ACCORDANCE WITH WP0002
- ULTRASONIC CLEANING IS POSSIBLE AFTER AUTO-DIPPING
- DRIP-PROOF DUST-PROOF STRUCTURE

PCB DIMENSION



PART NO	PART NAME	Q'TY	MATERIAL	STANDARD	DISPOSITION	REMARKS
△			TRIGON-OMETRY	UNIT	SCALE	WATER PROOF
△			APPD	CHKD	DSGD	
△						
△						
△						
NO	CORRECTION	91.7.19			MODEL	TP1119A