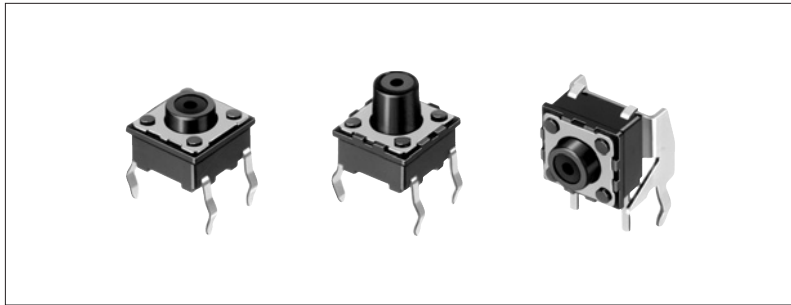


# 6.6×6.6mm Dust-proof TACT Switch (Snap-in)

SKQJ Series

General purpose dust-proof type with a sharp operational feel.



## Features

- Some of output terminals can be also used as jumper leads, thus making circuit design easy.
- Mounting foot print is compatible with conventional SKHH Series.

## Applications

- For operating various kinds of electronic devices such as audio devices, TVs, video recorders and phones

Power

Push

Slide

Rotary

Encoders

Detector

Dual-in-line  
Package Type

Multi Control  
Devices

**TACT**

Custom-  
Products

## Products Line

### Vertical Type

Products No.	Operating force	Operating direction	Travel (mm)	Rating (max.)	Operating life (5mA 5V DC)	Initial contact resistance	Stem color	Stem height	Minimum packing unit (pcs.)	Drawing No.
SKQJAAA010	0.98N	Vertical	0.25	50mA 12V DC	1,000,000 cycles	100mΩ max.	Black	h=5mm	1,000	1
SKQJABA010	1.57N				500,000 cycles		Dark gray			
SKQJADA010	0.98N				1,000,000 cycles		Black	h=7mm		
SKQJAEA010	1.57N				500,000 cycles		Dark gray			
SKQJAJA010	0.98N				200,000 cycles		Black			
SKQJAKA010	1.57N						Dark gray			

Sharp  
Feeling

Soft  
Feeling

**Snap-in  
Type**

Surface  
Mount Type

Radial  
Type

### Horizontal Type

Products No.	Operating force	Operating direction	Travel (mm)	Rating (max.)	Operating life (5mA 5V DC)	Initial contact resistance	Stem color	Minimum packing unit (pcs.)	Drawing No.
SKQJLAA010	0.98N	Horizontal	0.25	50mA 12V DC	1,000,000 cycles	100mΩ max.	Black	1,000	2
SKQJLBA010	1.57N				500,000 cycles		Dark gray		

For detailed specifications, see P.415  
For soldering conditions, see P.416

**Dimensions**

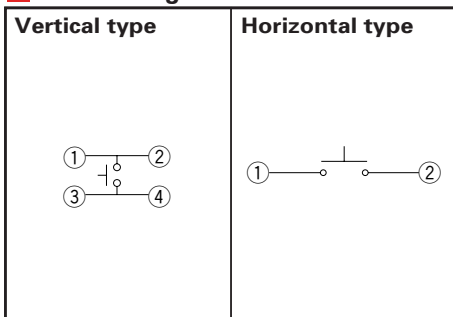
Unit:mm

No.	Style	PC board mounting hole dimensions (Viewed from switch mounting face)								
1	<p><b>Vertical type</b></p> <table border="1" style="margin-left: 20px;"> <tr> <td>h</td> <td>A</td> </tr> <tr> <td>5</td> <td>3.5</td> </tr> <tr> <td>7</td> <td>3.3</td> </tr> <tr> <td>9.5</td> <td>3</td> </tr> </table>	h	A	5	3.5	7	3.3	9.5	3	
	h	A								
5	3.5									
7	3.3									
9.5	3									
2	<p><b>Horizontal type</b></p> <table border="1" style="margin-left: 20px;"> <tr> <td>0.3</td> <td>2.52</td> <td>2.5</td> <td>1</td> </tr> <tr> <td>3.85</td> <td>4</td> <td></td> <td></td> </tr> </table>	0.3	2.52	2.5	1	3.85	4			
0.3	2.52	2.5	1							
3.85	4									

**Note**

Using a 1.6mm thick PC board is recommended.

**Circuit Diagram**



## Products Specifications

Items		Series	Sharp feeling type	Soft feeling type
		-20°C to +70°C		
Operating temperature range			-30°C to +85°C SKRM/RW	-30°C to +80°C SKPG
			-30°C to +90°C SKRA/RG/RP	-40°C to +90°C SKPF/PL/PM/PN
Rating (max.)			50mA 12V DC SKRP : 50mA 16V DC	5mA 12V DC SKPL/PM/PN : 50mA 16V DC
Rating (min.)		10 $\mu$ A 1V DC		
Electrical performance	Insulation resistance	100M $\Omega$ min. 100V DC SKEY/PD : 50M $\Omega$ min. 100V DC		
	Voltage proof	250V AC for 1 min. SKRB/RH/RM/RW/RR/EY/PD : 100V AC for 1min.		
Durability	Vibration	10 to 55 to 10Hz/min., the amplitude is 1.5mm for all the frequencies, in the 3 direction of X, Y and Z for 2 hours respectively		
	Lifetime	Shall be in accordance with individual specifications.		
Environmental performance	Cold	-30 $\pm$ 2°C for 96h		
	Dry heat	80 $\pm$ 2°C for 96h		
	Damp heat	60 $\pm$ 2°C, 90 to 95%RH for 96h		

Power

Push

Slide

Rotary

Encoders

Detector

Dual-in-line  
Package TypeMulti Control  
Devices

TACT

Custom-  
ProductsSharp  
FeelingSoft  
FeelingSnap-in  
TypeSurface  
Mount TypeRadial  
Type

### Note

We can raise the working temperature range for in-vehicle applications upon request. Contact us if you have any requirements of this kind.

### Specifications of LED (SKHJ)

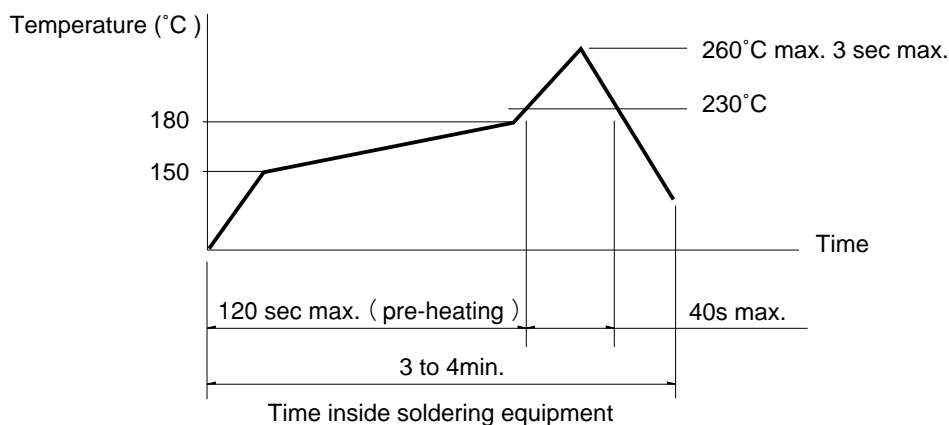
Color of light	Power dissipation	Forward pulse peak current	Forward current	Reverse voltage	Forward voltage	Reverse current	Peak emission wave length	Spectral line half width	Luminous intensity
	P (mW)	IFP (mA)	IFDC (mA)	VR (V)	VF (V) IF=10mA	IR ( $\mu$ A) VR=4V	$\lambda$ peak (nm) IF=10mA	$\Delta \lambda$ (nm) IF=10mA	IV (mcd) IF=10mA
Red	40	80	15	4	2.7 max. 2.05TYP	5 max.	700 TYP	100 TYP	0.4min. 1.0 TYP
Pure green									0.8min. 2.0 TYP
Amber									0.4min. 1.0 TYP
Orange (High brightness)				3	2.7 max. 2.0 TYP	10 max.	630 TYP	40 TYP	1.5min. 4.0 TYP
Green (High brightness)									4

## Soldering Conditions

### Condition for Reflow

Available for Surface Mount Type. (Except SKHM, SKHU, SKRM, SKRR Series)

1. Heating method: Double heating method with infrared heater.
2. Temperature measurement: Thermocouple 0.1 to 0.2 φ CA (K) or CC (T) at soldering portion (copper foil surface). A heat resisting tape should be used for fixed measurement.
3. Temperature profile



### Notes

1. The condition mentioned above is the temperature on the mounting surface of a PC board. There are cases where the PC board's temperature greatly differs from that of the switch, depending on the PC board's material, size, thickness, etc. The above-stated conditions shall also apply to switch surface temperatures.
2. Soldering conditions differ depending on reflow soldering machines. You are requested to verify the soldering conditions thoroughly beforehand.

### Conditions for Auto-dip

Available for Snap-in Type and Radial Type  
(Except SKHJ, SKHL, SKQC, SKQJ, SKQK, SKEG series)

Items	Condition
Flux built-up	Mounting surface should not be coated with flux
Preheating temperature	Ambient temperature of the soldered surface of PC board. 100°C max.
Preheating time	60s max.
Soldering temperature	260°C max.
Continuous dipping time	5s max.
Number of soldering	2times max.

### Notes

1. Consult with us for TACT switch washing conditions.
2. Prevent flux penetration from the top side of the TACT switch.
3. Switch terminals and a PC board should not be coated with flux prior to soldering.
4. The second soldering should be done after the switch returns to normal temperature.
5. Use the flux with a specific gravity of at least 0.82.  
(EC-19s-8 by TAMURA Corporation, or their equivalents.)

### Manual Soldering

Available for Manual Soldering Type

Items	Condition
Soldering temperature	350°C max.
Continuous soldering time	3s max.

- Power
- Push
- Slide
- Rotary
- Encoders
- Detector
- Dual-in-line Package Type
- Multi Control Devices
- TACT**
- Custom-Products

- Sharp Feeling
- Soft Feeling
- Snap-in Type
- Surface Mount Type
- Radial Type