

YS12V SERIES



Input: 100-240VAC 50/60Hz
 Output Voltage: 5V-36V DC
 Rated Power: 12W max

Features

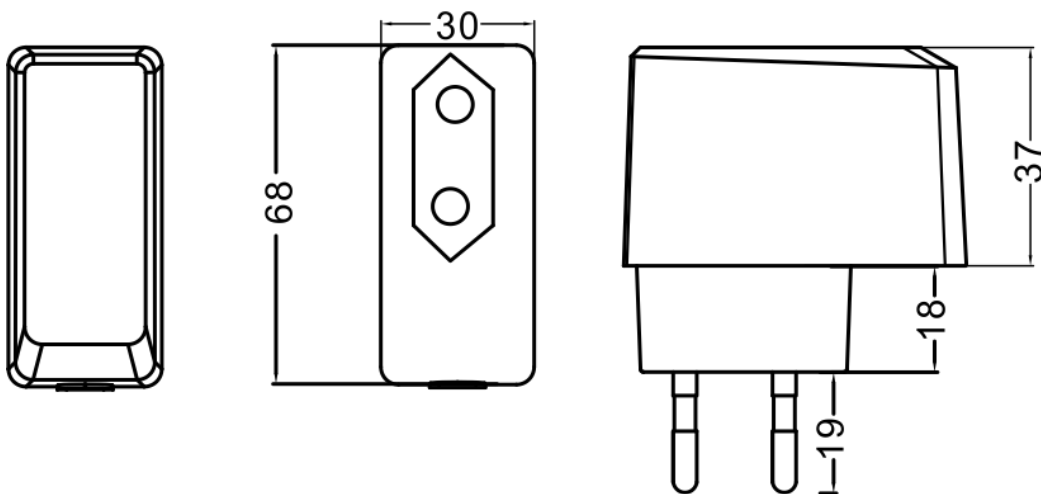
Univeral AC input/ Full range
 Energy efficiency level VI
 Leakage Current: < 0.25mA
 Extremely low leakage current
 Protection:Over load/Over voltage/Short circuit
 Withstand voltage : 3KV
 Life Warranty: 3 years

Application

Digital equipment
 Electric curtains
 Kitchen appliances
 Household appliances



■ Dimensions and Installation



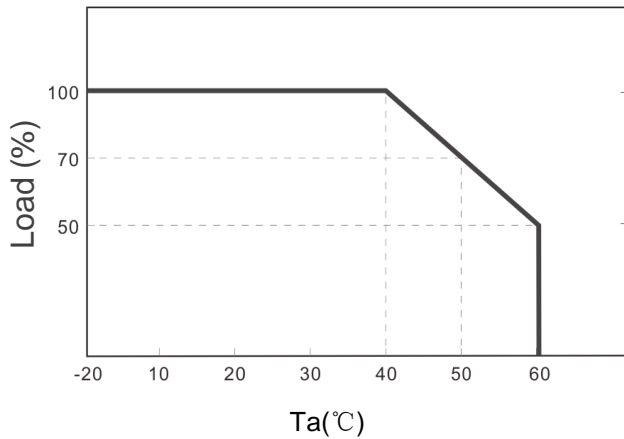
YS12V-E

YS12V SERIES

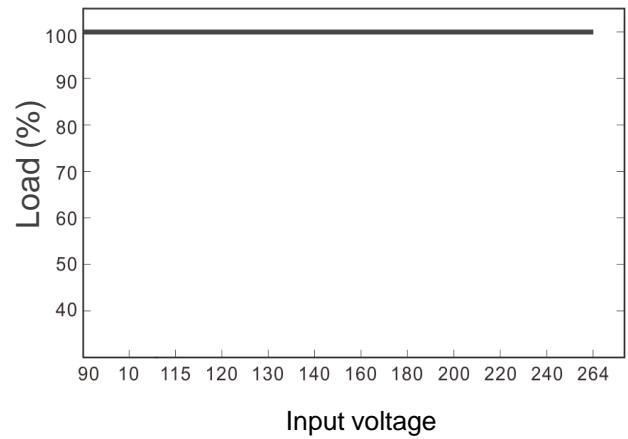
MODEL DETAIL SPEC.		YS12V-0502000E	YS12V-0901300E	YS12V-1201000E	YS12V-1500800E	YS12V-2400500E	YS12V-3600350E
INPUT	Input Voltage range:	90-264VAC					
	Input Frequency:	50/60Hz					
	Inrush Current:	50A/230VAC					
	AC Current:	0.4A/230VAC					
	Leakage Current:	< 0.25mA/240VAC					
	Efficiency:	80%	84%	84%	84%	84%	84%
OUTPUT	DC Voltage:	5V	9V	12V	15V	24V	36V
	Rated Current:	2A	1.3A	1A	0.8A	0.5A	0.35A
	Rated Power:	10W	11.7W	12W	12W	12W	12W
	Voltage Tolerance:	±5.0%	±5.0%	±5.0%	±5.0%	±5.0%	±5.0%
	Ripple and Noise:	75mVp-p	90mVp-p	120mVp-p	150mVp-p	240mVp-p	300mVp-p
	Line Regulation:	±3%					
	Load Regulation:	±5%	±5%	±5%	±5%	±5%	±5%
	Setup, Rise, Hold Up time:	1000ms, 30ms/25ms 230VAC at full load					
ENVIRONMENTAL	Operating Temperature:	-20 ~ +60 (Refer to "Derating Curve")					
	Storage Temp:	-40°C ~ 85°C					
	Storage Humidity:	10 ~ 95% RH					
	Working Humidity:	20 ~ 95% RH non-condensing					
PROTECTION	Over Load:	Above 110-180% rated output power					
		Protection type: Hiccup mode, recovers automatically after fault condition is removed					
	Over Voltage:	>120% rated output power					
		Protection type: Shut down o/p voltage, re-power on to recover					
Short Circuit :	Shut down o/p voltage, re-power on to recover						
SAFETY & EMC	Safety Regulations:	TUV ,EN62368-1					
	Withstand Voltage:	I/P-O/P:3KVAC I/P-FG:2KVAC O/P-FG:0.5KVAC					
	Isolation Resistance:	I/P-O/P, I/P-FG, O/P-FG:100M Ohms / 500VDC / 25°C/ 70% RH					
	EMC Emission:	Compliance to EN55032 (CISPR32), EN61000-3-2,-3					
	EMC Immunity:	EN/EN61000-4-2,3,4,5,6,8,11					
OTHER	MTBF:	100Khrs min. MIL-HDBK-217F(25°C)					
	Size:	68*30*37mm					
	Weight:	85g / pcs					
	Packaging:	100PCS/CTN					

YS12V SERIES

Deduction curve and temperature




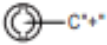




Minus output and input voltage curves



■ Functional Diagram

Standard plug: P1J

P1J			Pin Assignment
			
			Outside   Inside -V not connected to AC FG (standard) -V connected to AC FG (optional)

DC plug changeable through:


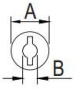
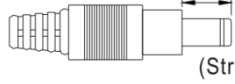
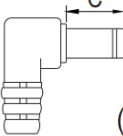

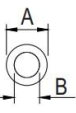
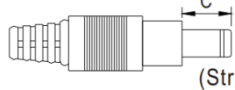
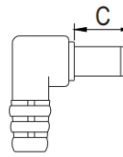

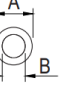
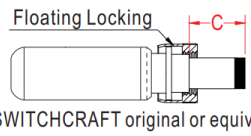

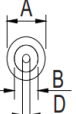
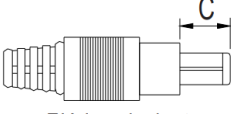

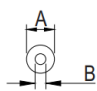

- (1) Customization of the standard part with an optional DC plug according to the table (MOQ applicable)
- (2) Quick adapter accessory (sold separately without MOQ)

Please refer to below table and online selection guide :

Example quick adapter accessory:


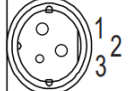
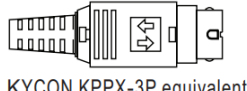

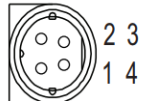
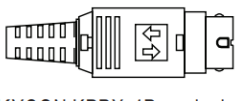


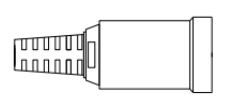


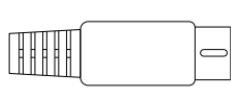


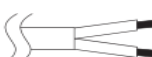
YS12V SERIES

Optional DC plug: (Available in customized cable or quick adapter)

Tuning Fork Style		Type No.	A	B	C	Quick Adapter Accessory	
			OD	ID	L		
   (Straight)	P1I	5.5	2.1	9.5	Available (Current rating: 7.5A max.)		
	P1L	5.5	2.5	9.5			
	P1M	5.5	2.1	11.0			
	 (Right-angled)	P1IR	5.5	2.5		9.5	
		P1JR	5.5	2.1		11.0	
		P1LR	5.5	2.5		9.5	
		P1MR	5.5	2.5		11.0	
Barrel Style		Type No.	A	B	C	Quick Adapter Accessory	
   (Straight)	P2I	5.5	2.1	9.5	None		
	P2J	5.5	2.1	11.0			
	P2L	5.5	2.5	9.5			
	P2M	5.5	2.1	11.0			
	 (Right-angled)	P2IR	5.5	2.5		9.5	
		P2JR	5.5	2.1		11.0	
		P2LR	5.5	2.5		9.5	
P2MR		5.5	2.5	11.0			
Lock Style		Type No.	A	B	C	None	
   Floating Locking SWITCHCRAFT original or equivalent	P2S(S761K)	5.53	2.03	12.06			
	P2K(761K)	5.53	2.54	12.06			
	P2C(S760K)	5.53	2.03	9.52			
	P2D(760K)	5.53	2.54	9.52			
	Center Pin Style		Type No.	A	B	C	D
   EIAJ equivalent	P4A	5.5	3.4	11.0	1.0		
	P4B	6.5	4.4	11.0	1.4		
	P4C	7.4	5.1	11.0	0.6		
	Min. Pin Style		Type No.	A	B	C	Available (Current rating: 5A max.)
   EIAJ equivalent	P3A	2.35	0.7	11.0			
	P3B	4.0	1.7	11.0			
	P3C	4.75	1.7	11.0			

YS12V SERIES

Optional DC plug: (Available in customized cable or quick adapter)

Tuning Fork Style	Type No.	Pin Assignment		Quick Adapter Accessory
		PIN No.	Output	
   <p>KYCON KPPX-3P equivalent</p>	R6B	1	+Vo	Available (Current rating: 7.5A max.)
		2	-Vo	
		3	+Vo	
Barrel Style	Type No.	Pin Assignment		Available (Current rating: 7.5A max.)
   <p>KYCON KPPX-4P equivalent</p>	R7B	PIN No.	Output	
		1	+Vo	
		2	-Vo	
		3	-Vo	
		4	+Vo	
Lock Style	Type No.	Pin Assignment		None
   <p>KYCON KPJX-CM-4S equivalent</p>	R7BF	PIN No.	Output	
		1	+Vo	
		2	-Vo	
		3	-Vo	
		4	+Vo	
Center Pin Style	Type No.	Pin Assignment		Available (Current rating: 7.5A max.)
  	R1B	PIN No.	Output	
		1	-Vo	
		2	-Vo	
		3	+Vo	
		4	-Vo	
		5	+Vo	
Center Pin Style	Type No.	Pin Assignment		None
  	by customer	1	+Vo	
		2	-Vo	