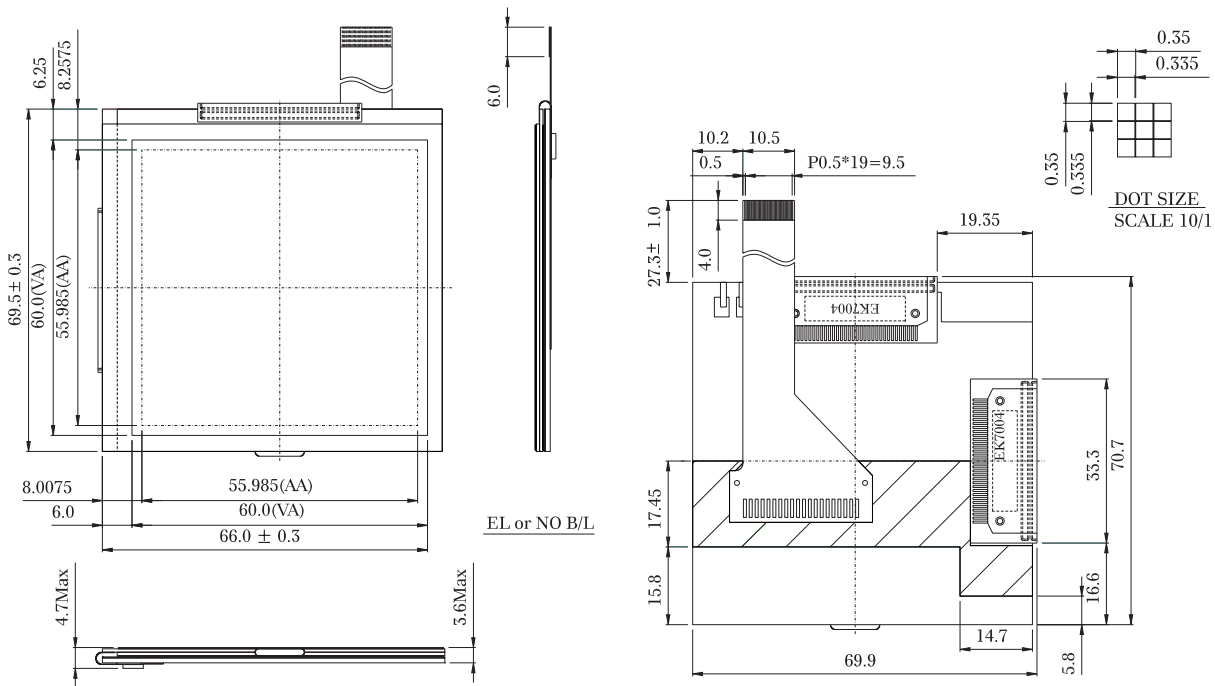




Graphic 160x160dots **WX160160A**

Dimension drawing



Feature

1. 160x160 dots FSTN
2. 4-Bit data bus
3. +5V power supply
4. 1/160 duty cycle

PIN NO.	SYMBOL	Function
1	EL1	Power supply for EL(+)
2	EL2	Power supply for EL(GND)
3	NC	NO Connection
4	FLM	Scan start-up signal
5	CL1(LP)	Data latch pulse
6	CL2(SCP)	Data shift pulse
7	DISP	H:ON L:OFF
8	VDD	Power supply for logic(+)
9	VSS	Power supply(0V)
10	VLCD	Power supply for LCD(+V)
11	D0	Data bus line
12	D1	Data bus line
13	D2	Data bus line
14	D3	Data bus line
15	VSS	Power supply(0V)
16	VSS	Power supply(0V)
17	NC	NO Connection
18	NC	NO Connection
19	NC	NO Connection
20	NC	NO Connection

Mechanical Data

Item	Standard Value	Unit
Module Dimension	69.0x69.5	mm
Viewing Area	60.0x60.0	mm
Dot Size	0.33x0.33	mm
Dot Pitch	0.35x0.35	mm

Graphic type

Absolute Maximum Rating

Item	Symbol	Standard Value			Unit
		min.	typ.	max.	
Power Supply	VDD-VSS	---	5.0	6.5	V
Input Voltage	VI	0.8V _{DD}	---	VDD	V

Note : VSS=0 Volt, VDD=5.0 Volt.

Electronical Characteristics

Item	Symbol	Condition	Standard Value			Unit
			min.	typ.	max.	
Input Voltage	VDD	L level	0.8V _{DD}	V _{DD}	---	V
	VIO	H level	V _{SS}	0.2V _{DD}	---	V
Supply Current	IDD	VDD=5V	---	---	---	mA
Recommended LC Driving Voltage for Normal Temp. Version module	VLCD-VSS	-20°C	18.7	20.2	21.7	V
		0°C	18.5	20.0	21.5	
		25°C	17.5	19.0	20.5	
		50°C	16.5	18.0	19.5	
		70°C	16.3	17.8	19.3	
EL	VF	25°C	---	---	---	V
EL	IF	25°C	---	---	---	mA
Power consumption	---	VDD=5V VSS=19.0V	---	0.19	---	mA

