

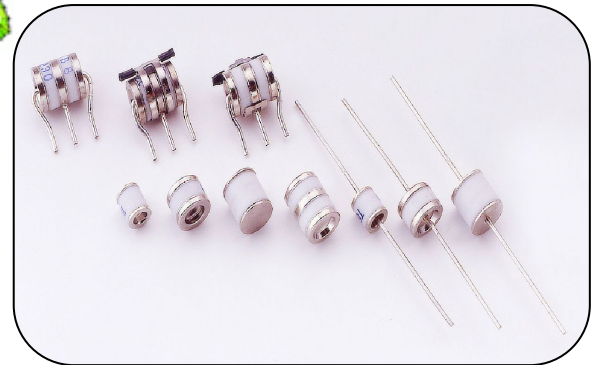
Gas Discharge Tube: GB8 Series



Three Electrode $\Phi 8.0 \times T10$ mm

■ Features

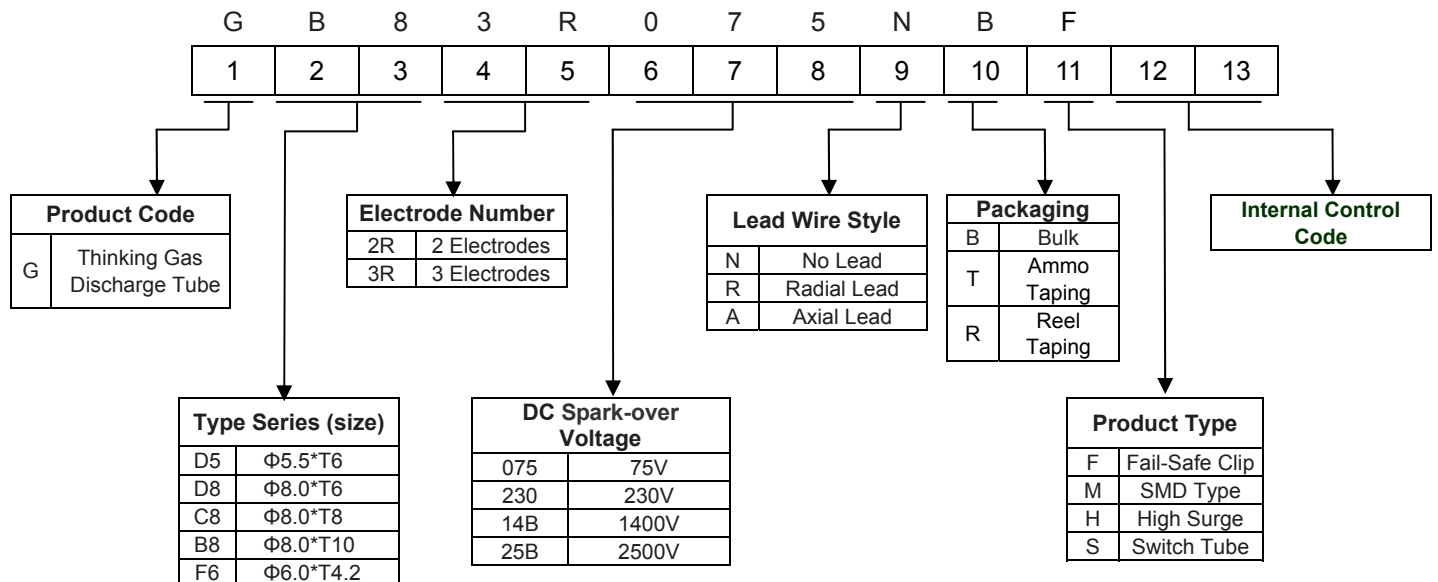
1. RoHS compliant
2. Rugged Ceramic-Metal Construction
3. Available With or Without Leads
4. Available With Fail-Safe Clip
5. DC Spark-over voltage : 75~600V
6. Low Capacitance
7. Agency Recognition :UL



■ Recommended Applications

1. Data Transmission Lines
2. Communication Lines
3. CATV System
4. Power Distribution System
5. Power Supplier
6. Test Equipment
7. Instrumentation Circuits

■ Part No. Code



Gas Discharge Tube: GB8 Series



Three Electrode $\Phi 8.0 \times T10$ mm

Characteristics

| Type | Max. DC Spark-over Voltage | Max. Impulse Breakdown Voltage | | Impulse Discharge Current (8/20 μ s) | | Impulse Discharge Life (10/1000 μ s) | Nom. AC Discharge Current | DC Holdover voltage | Minimum Insulation Resistance | Maximum Capacitance (1MHz) | Safety approvals |
|-------------|----------------------------|--------------------------------|--------------|--|----------|--|---------------------------|---------------------|-------------------------------|----------------------------|------------------|
| | (100V/S) | 100V/ μ s | 1KV/ μ s | 1 time | 10 times | <150mS | 50Hz, 1S | <150mS | | | |
| | (V) | (V) | (V) | (KA) | | Times | (A) | (V) | | | |
| GB83R075□□F | 75 \pm 20% | 600 | 700 | 20 | 10 | 300 | 10 | 52 | 10 | 2 | √ |
| GB83R090□□F | 90 \pm 20% | 600 | 700 | | | | | 52 | | | √ |
| GB83R145□□F | 145 \pm 20% | 500 | 700 | | | | | 52 | | | √ |
| GB83R200□□F | 200 \pm 20% | 500 | 700 | | | | | 80 | | | √ |
| GB83R230□□F | 230 \pm 20% | 600 | 700 | | | | | 80 | | | √ |
| GB83R250□□F | 250 \pm 20% | 600 | 700 | | | | | 80 | | | √ |
| GB83R300□□F | 300 \pm 20% | 700 | 900 | | | | | 150 | | | √ |
| GB83R350□□F | 350 \pm 20% | 700 | 900 | | | | | 150 | | | Δ |
| GB83R400□□F | 400 \pm 20% | 800 | 1000 | | | | | 150 | | | √ |
| GB83R420□□F | 420 \pm 20% | 800 | 1000 | | | | | 150 | | | |
| GB83R470□□F | 470 \pm 20% | 800 | 1000 | | | | | 150 | | | √ |
| GB83R550□□F | 550 \pm 20% | 1100 | 1400 | | | | | 150 | | | √ |
| GB83R600□□F | 600 \pm 20% | 1200 | 1500 | | | | | 150 | | | √ |

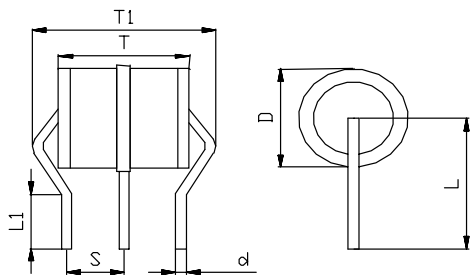
Note1 : The first □ is the style of lead wire , the second □ is packaging.

Note2 : F = With Fail-Safe Clip.

Note3 : * = UL Approval Pending

Note4 : UL / 497B → File No. E245070 (for "√" mark), File No. E229991 (for "Δ" mark)

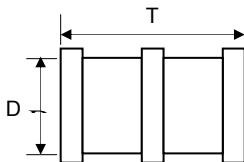
□ = R (Radial lead type)



Unit: mm

| Item | Dimensions | |
|------|------------|------------|
| | Spec. | Tolerance |
| D | 8.0 | ± 0.2 |
| T | 10.0 | ± 0.3 |
| T1 | 13.4 | ± 0.4 |
| L | 11.0 | ± 0.5 |
| L1 | 4.5 | ± 1.5 |
| S | 4.4 | ± 0.3 |
| d | 1.0 | ± 0.05 |

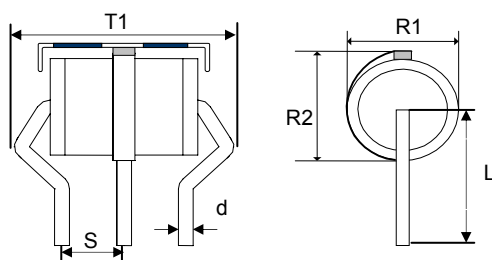
□ = N (No lead type)



Unit: mm

| Item | Dimensions | |
|------|------------|-----------|
| | Spec. | Tolerance |
| D | 8.0 | ± 0.2 |
| T | 10 | ± 0.3 |

F = (Fail-Safe Device)



Unit: mm

| Item | Dimensions | |
|------|------------|------------|
| | Spec. | Tolerance |
| R1 | 8.1 | ± 0.3 |
| R2 | 9.8 | ± 0.4 |
| T1 | 13.4 | ± 0.4 |
| L | 11.0 | ± 0.5 |
| S | 4.4 | ± 0.3 |
| d | 1.0 | ± 0.05 |

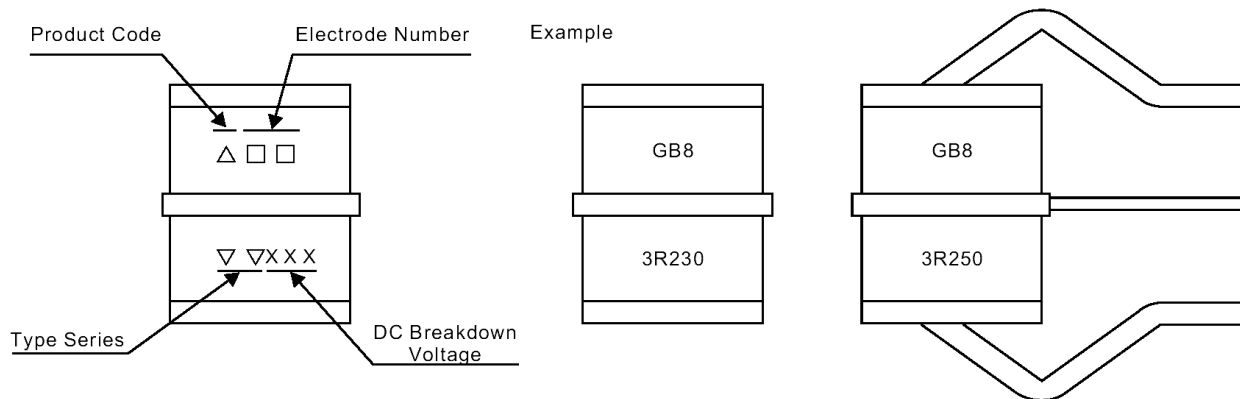
Gas Discharge Tube: GB8 Series

Three Electrode $\Phi 8.0 \times T10$ mm



■ Marking

For 3-electrode GDT



■ Packaging

● Bulk

| PS Box (218×218×10mm) | Inner Box (225×220×60mm) | Outside Box (435×235×345mm) |
|--------------------------|-----------------------------|--------------------------------|
| | | |
| 100 PCS/Box | 500 PCS/box | 5000 PCS/carton |

■ Storage Condition of GDT

(I) Storage condition :

1. Storage Temperature : $-10^{\circ}\text{C} \sim +40^{\circ}\text{C}$.
2. Relative humidity: $\leq 75\% \text{RH}$.
3. Gas Discharge Tube must be kept away from sunlight and stored in a non-corrosive atmosphere.

(II) Period of storage: 1 year.