

- Compact metal case with screw terminal block
- Universal input 85-264 VAC
- High efficiency up to 89%
- Active PFC >0.95
- Compliance to EN 61000-3-2
- Short circuit, overvoltage and overload protection
- IEC/EN/UL 62368-1 safety approvals
- 3 year product warranty



The TXLN series is a family of encased power supplies designed for a wide range of cost critical applications. With a low profile metal case and screw terminal block connection, they are easy to install in any equipment. These power supplies have universal input and comply with European EMC standards and the Low Voltage Directive (LVD).

Models

Order Code	Output Power max.	Output Voltage nom. (adjustable)	Output Current max.	Efficiency typ.
TXLN 320-112	320 W	12 VDC (10.8 - 13.2 VDC)	26'700 mA	86 %
TXLN 320-124		24 VDC (21.6 - 26.4 VDC)	13'400 mA	88 %
TXLN 320-148		48 VDC (43.2 - 52.8 VDC)	6'700 mA	89 %

Options

on demand (backorder with MOQ non stocking item)	- Optional model with 5 VDC / 60'000 mA - Optional model with 36 VDC / 8'900 mA
--	--

Input Specifications		
Input Voltage	- AC Range	85 - 264 VAC (Full Range)
	- DC Range	120 - 375 VDC (Designed for, no certification)
Input Frequency		47 - 63 Hz
Input Current	- Full Load & Vin = 115 VAC	4'300 mA max.
Input Inrush Current	- At 230 VAC	50 A max.
	- At 115 VAC	25 A max.
Power Factor	- At 230 VAC	0.95 min. (Active Power Factor Correction)
	- At 115 VAC	0.95 min. (Active Power Factor Correction)
Input Protection		T 6.3 A / 250 VAC (Internal Fuse)
Recommended Input Fuse		6'300 mA (slow blow) (The need of an external fuse has to be assessed in the final application.)

Output Specifications		
Output Voltage Adjustment		±10% (By trim potentiometer) Output power must not exceed rated power!
Voltage Set Accuracy		±2% max. (5 Vout model)
		±1% max. (other models)
Regulation	- Input Variation (Vmin - Vmax)	1% max. (5 Vout model)
		0.5% max. (other models)
	- Load Variation (0 - 100%)	2% max. (5 Vout model) 1% max. (other models)
Ripple and Noise (20 MHz Bandwidth)	5 VDC model:	150 mVp-p max. (w/ 0.1 µF // 47 µF)
	12 VDC model:	150 mVp-p max. (w/ 0.1 µF // 47 µF)
	24 VDC model:	150 mVp-p max. (w/ 0.1 µF // 47 µF)
	36 VDC model:	220 mVp-p max. (w/ 0.1 µF // 47 µF)
	48 VDC model:	240 mVp-p max. (w/ 0.1 µF // 47 µF)
Minimum Load		Not required
Temperature Coefficient		±0.03 %/K max.
Hold-up Time	- At 230 VAC	8 ms min.
Start-up Time	- At 230 VAC	1'500 ms max.
	- At 115 VAC	3'000 ms max.
Short Circuit Protection		Continuous, Automatic recovery
Output Current Limitation		105 - 135% of Iout max.
Overvoltage Protection		115 - 140% of Vout nom.

Safety Specifications		
Safety Standards	- IT / Multimedia Equipment	EN 62368-1 IEC 62368-1 UL 62368-1
	- Certification Documents	www.tracopower.com/overview/txln320
Protection Class		Class I (Prepared): Connection to PE
Pollution Degree		PD 2
Over Voltage Category		OVC II

EMC Specifications		
EMI Emissions	- Conducted Emissions	EN 55032 class B (internal filter)
	- Radiated Emissions	EN 55032 class B (internal filter)
	- Harmonic Current Emissions	EN 61000-3-2, class D
	- Voltage Fluctuations & Flicker	EN 61000-3-3

All specifications valid at nominal voltage, full load and +25°C after warm-up time unless otherwise stated.

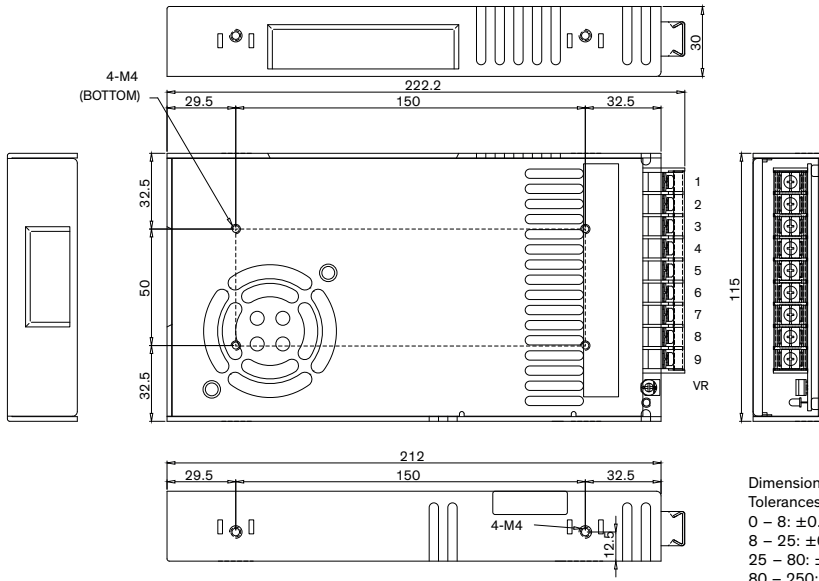
EMS Immunity	<ul style="list-style-type: none"> - Electrostatic Discharge - RF Electromagnetic Field - EFT (Burst) / Surge - Conducted RF Disturbances - PF Magnetic Field - Voltage Dips & Interruptions 	EN 55024 (IT Equipment) Air: EN 61000-4-2, ±8 kV, perf. criteria A Contact: EN 61000-4-2, ±4 kV, perf. criteria A EN 61000-4-3, 3 V/m, perf. criteria A EN 61000-4-4, ±1 kV, perf. criteria A L to L: EN 61000-4-5, ±1 kV, perf. criteria B L to PE: EN 61000-4-5, ±2 kV, perf. criteria B EN 61000-4-6, 3 Vrms, perf. criteria A Continuous: EN 61000-4-8, 3 A/m, perf. criteria A 230 VAC / 50 Hz: EN 61000-4-11 30%, 25 periods, perf. criteria A >95%, 0.5 periods, perf. criteria A >95%, 250 periods, perf. criteria B
--------------	--	--

General Specifications		
Relative Humidity		90% max. (non condensing)
Temperature Ranges	<ul style="list-style-type: none"> - Operating Temperature - Storage Temperature 	-30°C to +70°C -40°C to +85°C
Power Derating	<ul style="list-style-type: none"> - High Temperature - Low Input Voltage 	2.5 %/K above 50°C 0.66 %/V below 100 VAC
Over Temperature Protection Switch Off	- Protection Mode	Latch off
Cooling System		Forced air cooling (with internal fan)
Fan Power Source	<ul style="list-style-type: none"> - Characteristic - Output Voltage - Output Current 	Variable fan speed (temperature regulated) 12 VDC 125 mA max.
Altitude During Operation		5'000 m max. (The max. ambient temperature decreases by 5 K / 1000 m when operated above 2000 m)
Switching Frequency		90 - 110 kHz (PWM)
Insulation System		Reinforced Insulation
Isolation Test Voltage	<ul style="list-style-type: none"> - Input to Output, 60 s - Input to Case or PE, 60 s - Output to Case or PE, 60 s 	3'000 VAC 1'800 VAC 500 VAC
Isolation Resistance	- Input to Output, 500 VDC	100 MΩ min.
Isolation Capacitance	- Input to Output, 100 kHz, 1 V	20'000 pF max.
Leakage Current (at 264 VAC / 60Hz)	- Earth Leakage Current	1500 μA max.
Reliability	- Calculated MTBF	175'900 h (MIL-HDBK-217F, ground benign)
Housing Material		Aluminium
Connection Type		Screw Terminal
Weight		850 g
Status Indicator		Indicated by green LED
Environmental Compliance	<ul style="list-style-type: none"> - REACH Declaration - RoHS Declaration 	www.tracopower.com/info/reach-declaration.pdf REACH SVHC list compliant REACH Annex XVII compliant www.tracopower.com/info/rohs-declaration.pdf Exemptions: 6a, 6b, 6c, 7a, 7c-I, 7c-II (RoHS exemptions refer to the component concentration only, not to the overall concentration in the product (O5A rule). The SCIP number is provided on request.)

Supporting Documents	
Overview Link (for additional Documents)	www.tracopower.com/overview/txln320

All specifications valid at nominal voltage, full load and +25°C after warm-up time unless otherwise stated.

Outline Dimensions



Screw Terminal	
Pin	Function
1	AC (L)
2	AC (N)
3	PE
4-6	-Vout
7-9	+Vout