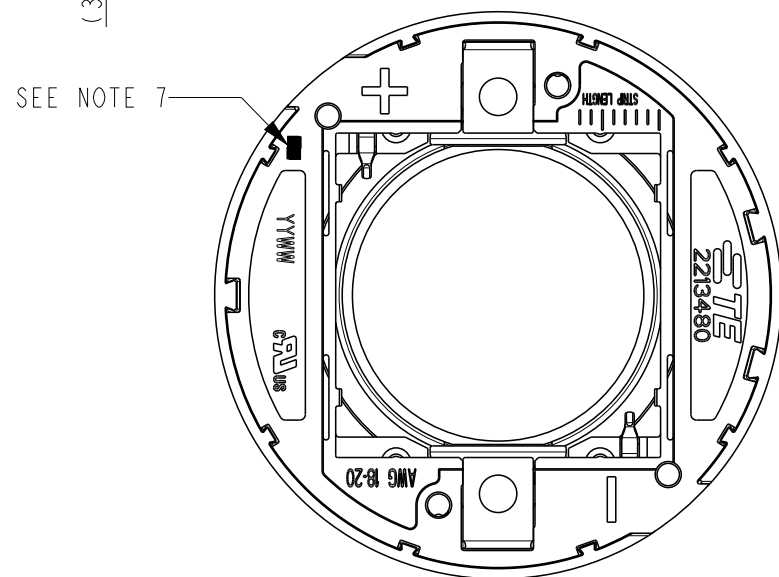
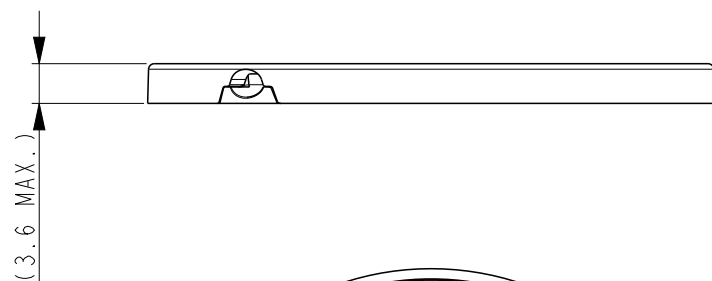
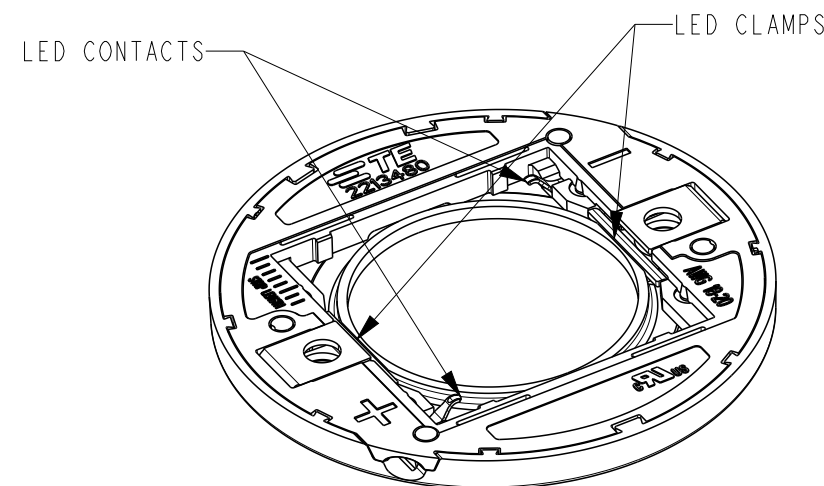
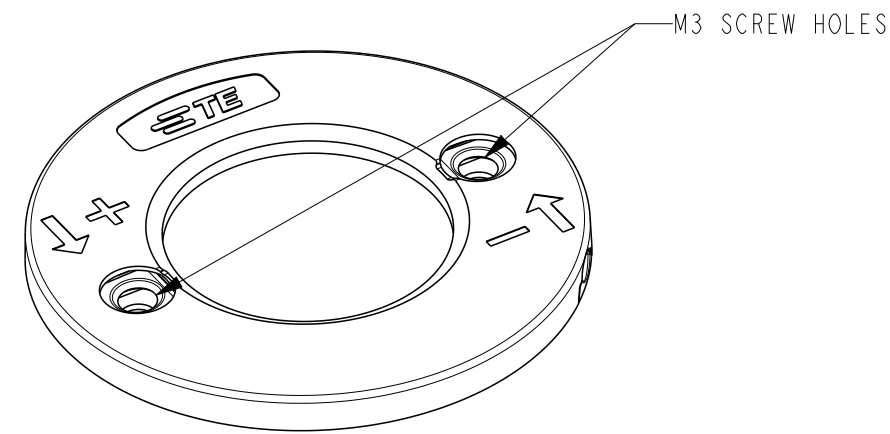
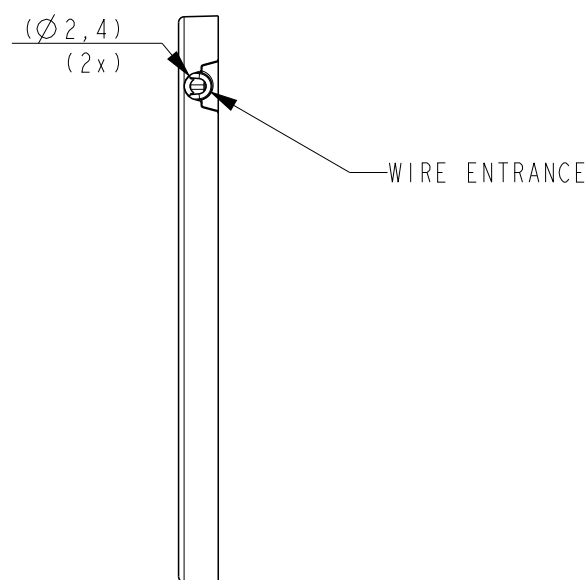
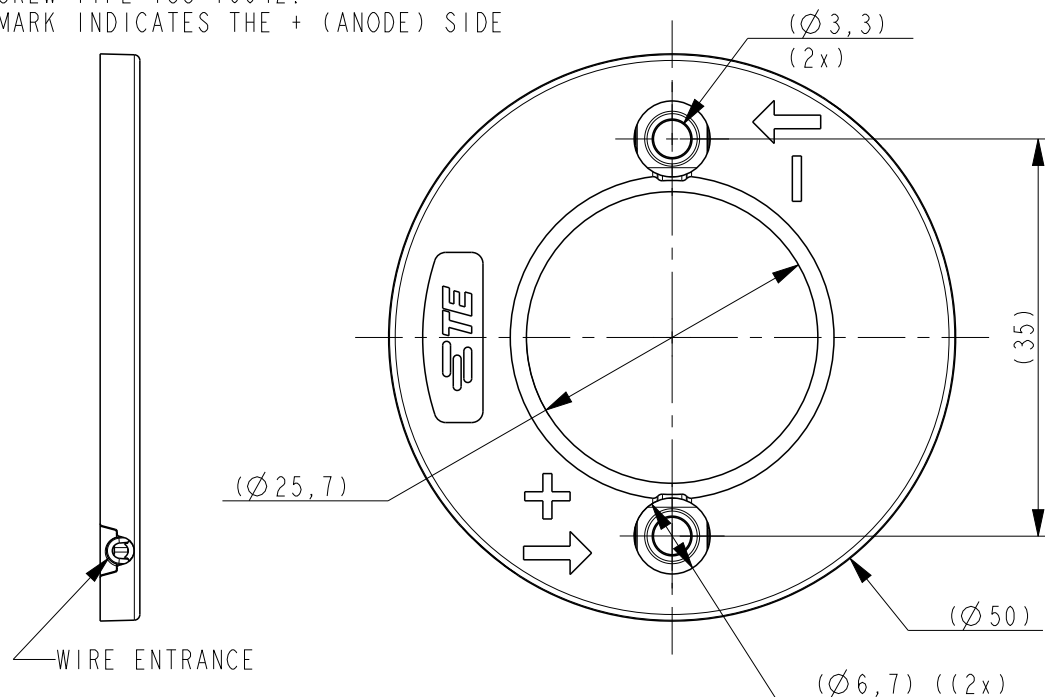


THIS DRAWING IS UNPUBLISHED. RELEASED FOR PUBLICATION
 © COPYRIGHT - BY TYCO ELECTRONICS CORPORATION. ALL RIGHTS RESERVED.

LOC	DIST	REVISIONS					
		P	LTR	DESCRIPTION	DATE	DWN	APVD
H	-		A	ECR-15-001589	03FEB2015	KR	OL
			B	ECR-15-006869	02MAY2015	KR	OL

NOTES:

- MATERIALS:
HOUSING: GLASS FILLED PBT, HALOGEN FREE FLAME RETARDANT
COLOR : WHITE
CONTACTS: GOLD PLATED COPPER ALLOY
- FOR WIRE TYPES AWG 18 AND 20 AWG.
- COMPLIES WITH DIRECTIVE 2002/95/EC (ROHS)
- WIRE STRIP LENGTH: 7-8 mm
- MAX. WIRE INSULATION OUTER DIAM.: $\varnothing 2.3\text{mm}$.
- RECOMMENDED SCREW TORQUE: 0.4 - 0.6 Nm.
- IN ORDER TO CREATE A FLAT OPTIC LANDING ZONE ON HOLDER A COUNTERSUNK SCREW CAN BE USED, I.E. SCREW-TYPE ISO 10642.
- BLACK MARK INDICATES THE + (ANODE) SIDE



PART NO	DESCRIPTION	PACKAGING
2-2213480-1	Z50 LED HOLDER 2828	2x10 PIECES IN TRAY AND BOX 25 BOXES IN SHIPPING BOX
1-2213480-1	Z50 LED HOLDER 2828	2x10 PIECES IN TRAY AND BOX 25 BOXES IN SHIPPING BOX
2213480-2	LUMAWISE Z50 LED holder 2727 general	2x5 PIECES IN TRAY 56 TRAYS IN SHIPPING BOX
2213480-1	LUMAWISE Z50 LED holder 2828 general	2x5 PIECES IN TRAY 56 TRAYS IN SHIPPING BOX

THIS DRAWING IS A CONTROLLED DOCUMENT.

DIMENSIONS: mm	TOLERANCES UNLESS OTHERWISE SPECIFIED: 0 PLC ±- 1 PLC ±- 2 PLC ±- 3 PLC ±- 4 PLC ±- ANGLES ±- FINISH -	DWN 08APRIL2014 P. POORTER CHK 08APRIL2014 O. LEIJNSE APVD 08APRIL2014 O. LEIJNSE PRODUCT SPEC 108-133018 APPLICATION SPEC 114-133019 WEIGHT -	TE Connectivity NAME LUMAWISE Z50 high performance LED HOLDER SIZE A3 CAGE CODE 00779 DRAWING NO C-2213480 RESTRICTED TO -
MATERIAL -		Customer Drawing	SCALE 3:2 SHEET 1 OF 3 REV B

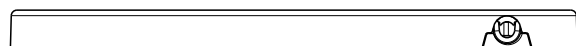
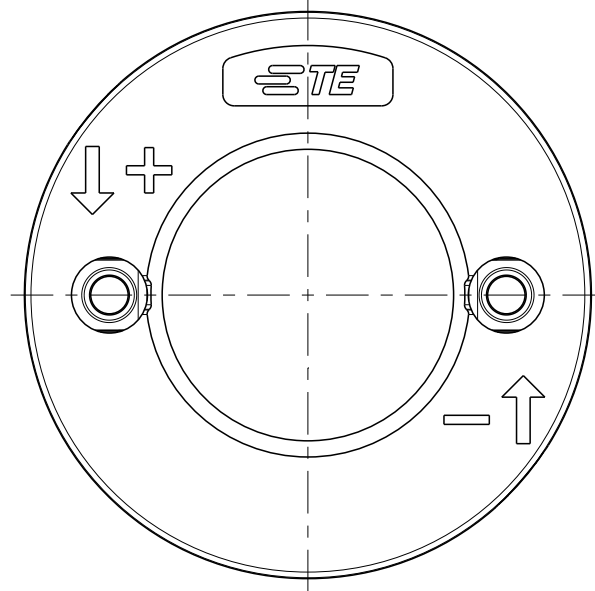
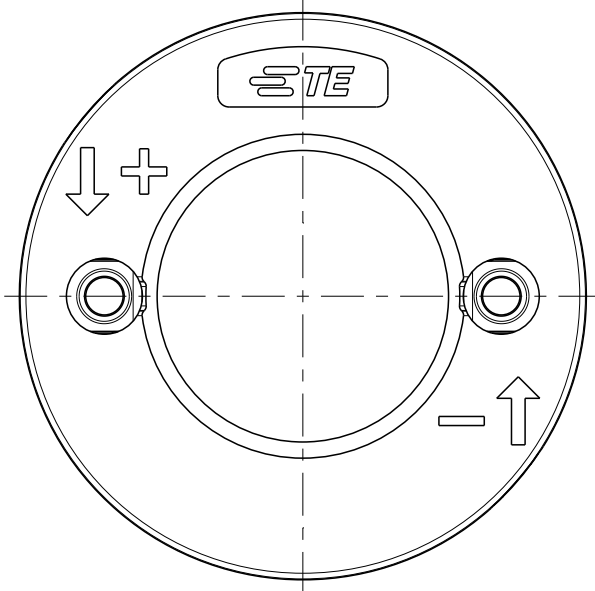
THIS DRAWING IS UNPUBLISHED. RELEASED FOR PUBLICATION

© COPYRIGHT - BY TYCO ELECTRONICS CORPORATION. ALL RIGHTS RESERVED.

LOC	DIST	REVISIONS					
H	-	P	LTR	DESCRIPTION	DATE	DWN	APVD
		-		SEE SHEET 1	-	-	-

2213480-1 AS SHOWN

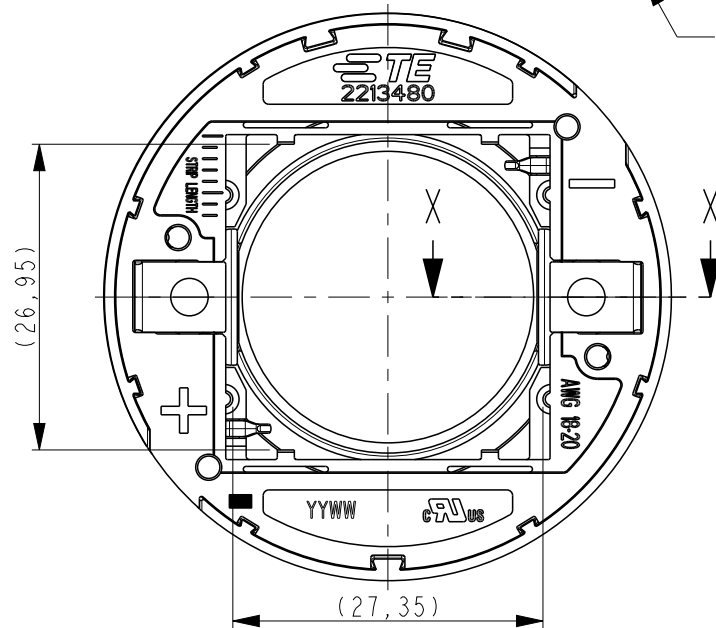
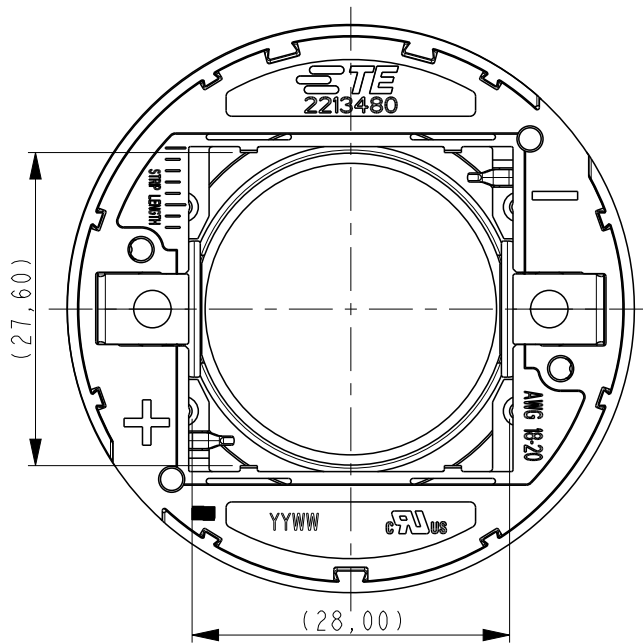
2213480-2 AS SHOWN



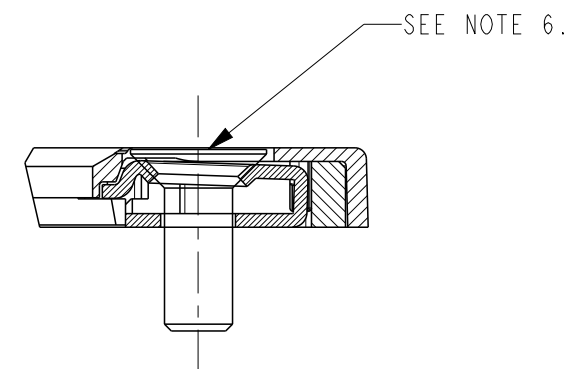
SECTION X-X

1.2 MAX. LED HEIGHT

SEE DETAIL A

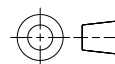


DETAIL A SCALE 3:1



THIS DRAWING IS A CONTROLLED DOCUMENT.

DIMENSIONS: mm



TOLERANCES UNLESS OTHERWISE SPECIFIED:

- 0 PLC ±-
- 1 PLC ±-
- 2 PLC ±-
- 3 PLC ±-
- 4 PLC ±-
- ANGLES ±-

MATERIAL -

FINISH -

DWN 08APRIL2014

P. POORTER

CHK 08APRIL2014

O. LEIJNSE

APVD 08APRIL2014

O. LEIJNSE

PRODUCT SPEC 108-133018

APPLICATION SPEC -

WEIGHT -

NAME LUMAWISE Z50 high performance LED HOLDER

SIZE CAGE CODE DRAWING NO RESTRICTED TO

A3 00779 C-2213480

Customer Drawing SCALE 3:2 SHEET 2 OF 3 REV B

4

3

2

1

THIS DRAWING IS UNPUBLISHED.

RELEASED FOR PUBLICATION

© COPYRIGHT - BY TYCO ELECTRONICS CORPORATION. ALL RIGHTS RESERVED.

LOC	DIST	REVISIONS					
H	-	P	LTR	DESCRIPTION	DATE	DWN	APVD
			-	SEE SHEET 1	-	-	-

RECOMMENDED DRILLING HOLE PATTERN:

M3 (2x)
 $\pm \varnothing 0,1$

35,00

$\varnothing 50,0$ MIN.
KEEP OUT ZONE

NOMINAL LED INFO:

THE SKETCH BELOW IS SHOWING THE NOMINAL LED COB DIMENSIONS TO MATCH WITH THE Z50 LED HOLDER 2828

FOR TECHNICAL DETAILS ABOUT A PROPER MATCH WITH A SPECIFIC LED COB ARRAY PLEASE CONTACT A REPRESENTATIVE AT TE-CONNECTIVITY

27.35-28,00 NOMINAL

10.95±0.15 (2x)

CONTACT POINTS AREA (2x)

11,6±0,1 (2x)

27.35-28,00 NOMINAL

1.2 MAX.


LES 25,50 MAX.

RECOMMENDED KEEP OUT AREA FOR CLAMPING:

25,8 MIN.

12,7 MIN.

NO TRACKS BELOW THIS AREA !

THIS DRAWING IS A CONTROLLED DOCUMENT.		DWN 08APRIL2014 P. POORTER	 TE Connectivity			
DIMENSIONS: mm		CHK 08APRIL2014 O. LEIJNSE			NAME LUMAWISE Z50 high performance LED HOLDER	
TOLERANCES UNLESS OTHERWISE SPECIFIED:		APVD 08APRIL2014 O. LEIJNSE	PRODUCT SPEC 108-133018			
0 PLC ±- 1 PLC ±- 2 PLC ±- 3 PLC ±- 4 PLC ±- ANGLES ±-		APPLICATION SPEC -	SIZE A3	CAGE CODE 00779	DRAWING NO C-2213480	RESTRICTED TO -
MATERIAL -		FINISH -	WEIGHT -		Customer Drawing	
		SCALE 3:2		SHEET 3 OF 3		REV B

1470-19 (3/11)