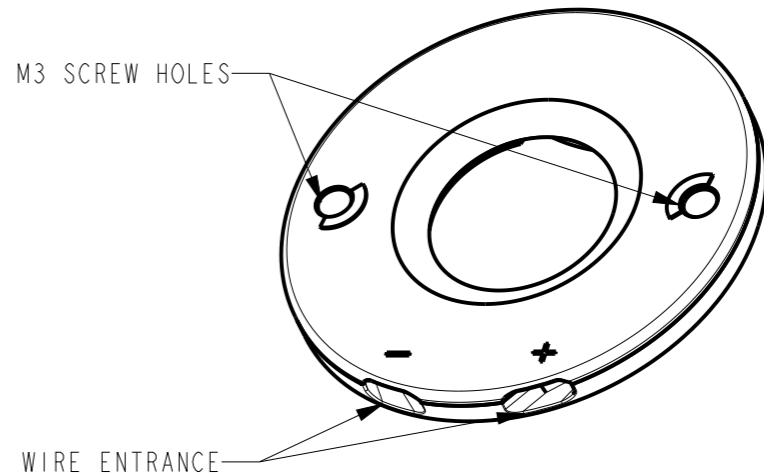
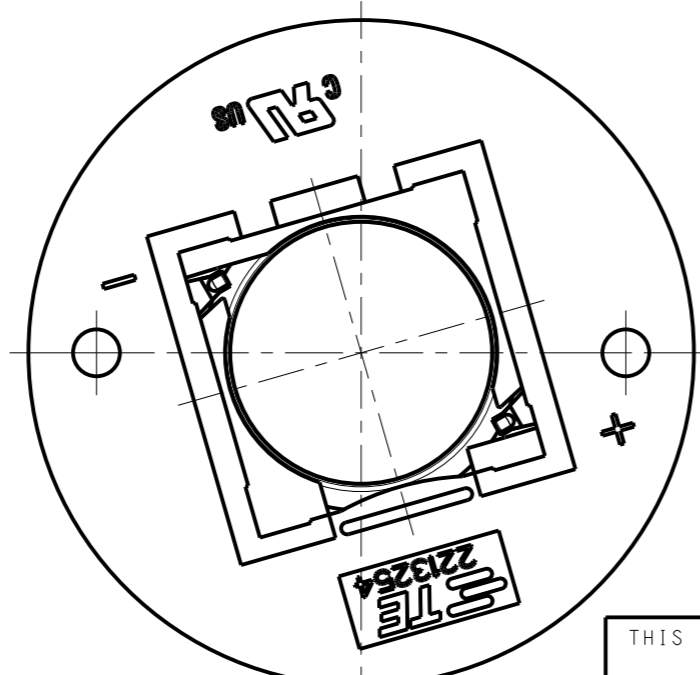
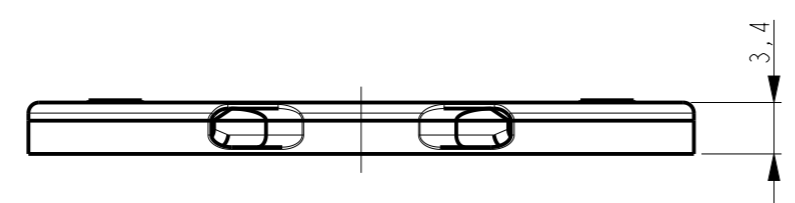
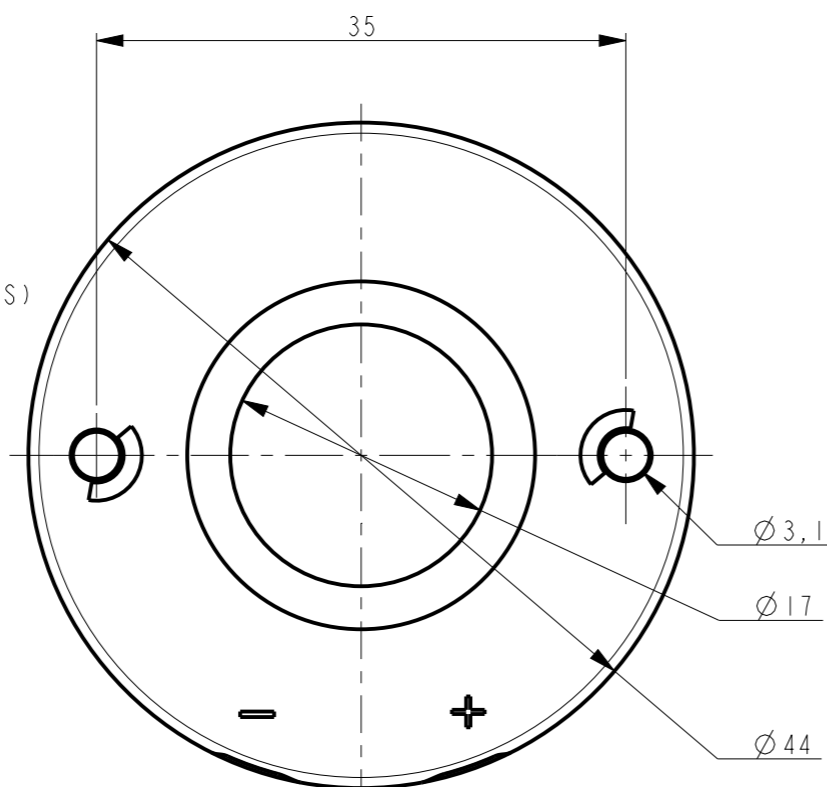


THIS DRAWING IS UNPUBLISHED. RELEASED FOR PUBLICATION
 © COPYRIGHT - BY TYCO ELECTRONICS CORPORATION. ALL RIGHTS RESERVED.

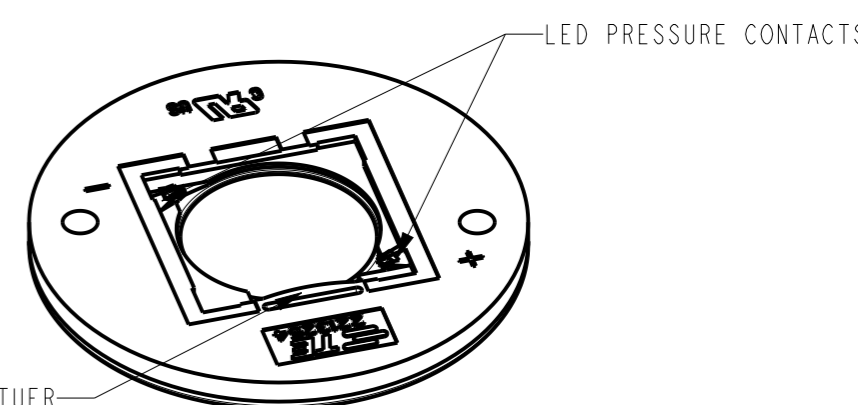
LOC	DIST	REVISIONS					
H	-	P	LTR	DESCRIPTION	DATE	DWN	APVD
			A	RELEASED PER ECR-13-012395	05-AUG-13	MVE	OL
			A1	REVISED PER ECR-14-000133	06JAN2014	AB	OL
			-	-	-	-	-

NOTES:

- MATERIALS:
HOUSING: GLASS FILLED PBT
COLOR : NATURAL/WHITE
CONTACTS: SILVER PLATED COPPER ALLOY
- FOR SOLID AND STRANDED WIRE AWG 22-18
- COMPLIES WITH DIRECTIVE 2002/95/EC (ROHS)
- M3 SCREW TO BE USED FOR MOUNTING



SCALE 3:2



2213254-1 AS SHOWN

LUMAWISE LED HOLDER Z50 LOW PROFILE

2213254-2	LUMAWISE LED HOLDER Z50 STANDARD PROFILE 1919
2213254-1	LUMAWISE LED HOLDER Z50 LOW PROFILE 1919
PART NUMBER	DESCRIPTION

THIS DRAWING IS A CONTROLLED DOCUMENT.

DIMENSIONS: mm		TOLERANCES UNLESS OTHERWISE SPECIFIED:	
		0 PLC	±-
		1 PLC	±-
		2 PLC	±-
		3 PLC	±-
		4 PLC	±-
		ANGLES	±-
MATERIAL	-	FINISH	-

DWN	6-AUG-13
CHK	M.V.ESSEN 6-AUG-13
APVD	M.V.ESSEN 6-AUG-13
PRODUCT SPEC	108-133008
APPLICATION SPEC	114-32048
WEIGHT	-
CUSTOMER DRAWING	

PRELIMINARY **STE** TE Connectivity

LUMAWISE LED HOLDER Z50 1919

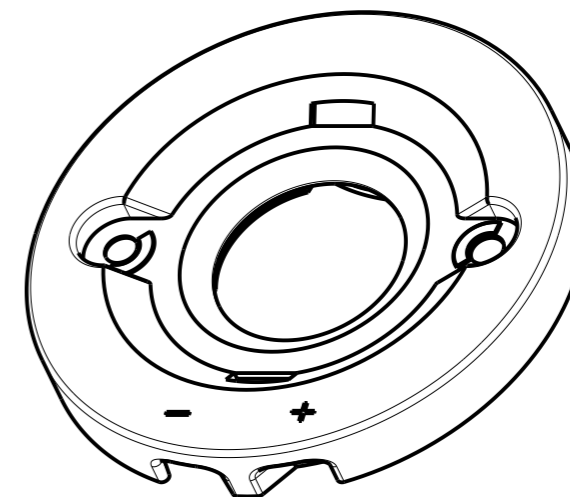
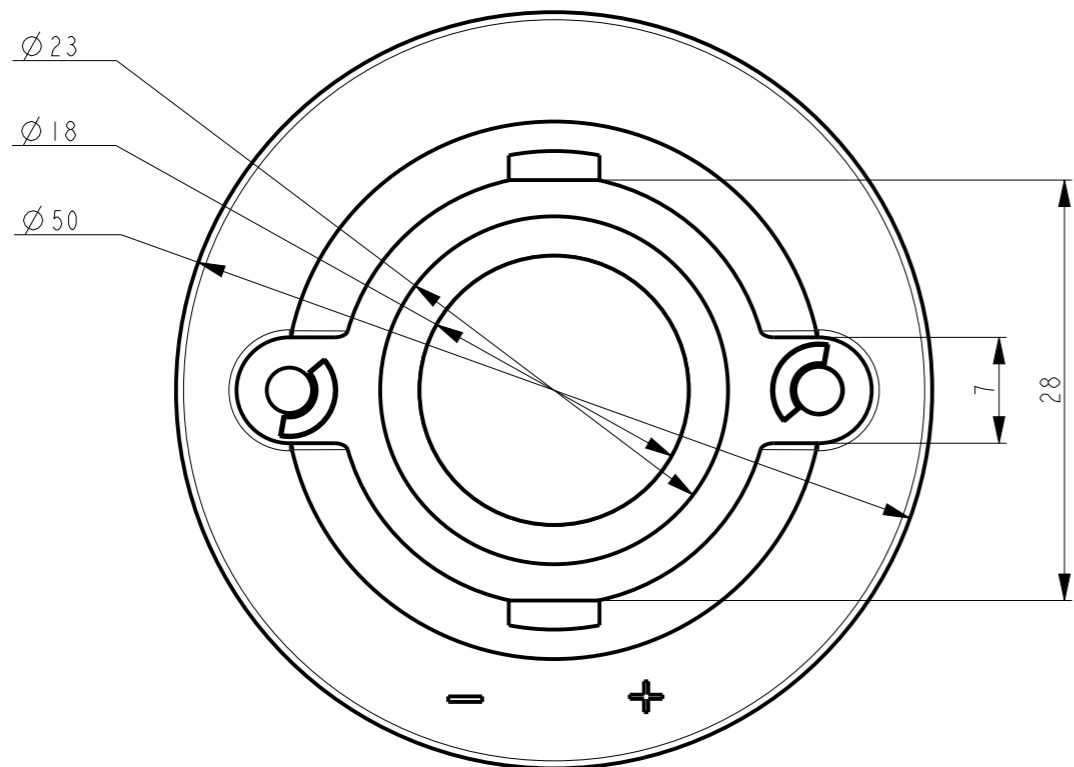
SIZE	CAGE CODE	DRAWING NO	RESTRICTED TO
A3	00779	C-2213254	-
SCALE 2:1		SHEET 1 OF 3	REV A1

THIS DRAWING IS UNPUBLISHED.

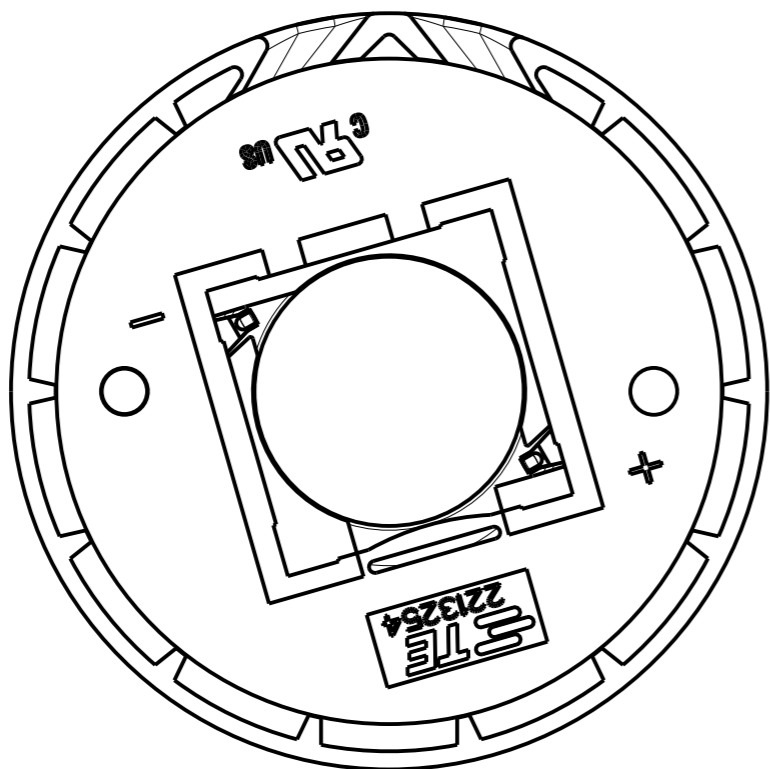
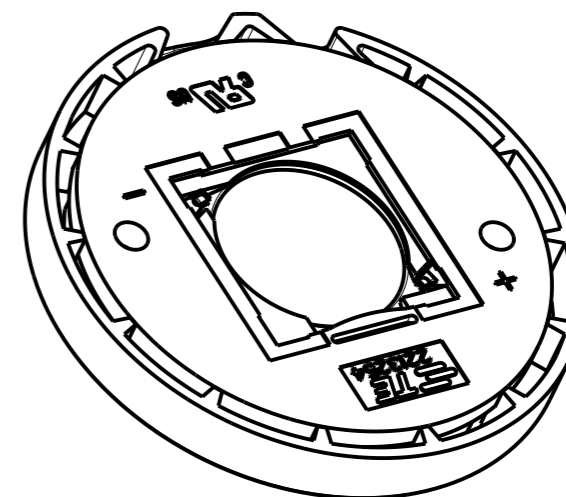
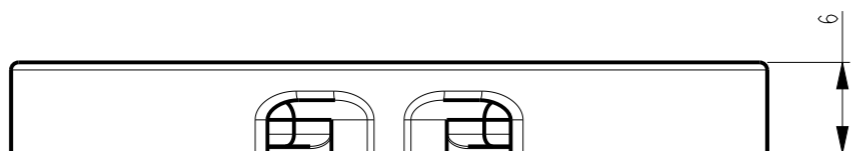
RELEASED FOR PUBLICATION

© COPYRIGHT - BY TYCO ELECTRONICS CORPORATION. ALL RIGHTS RESERVED.

LOC	DIST	REVISIONS					
H	-	P	LTR	DESCRIPTION	DATE	DWN	APVD
				SEE SHEET 1			




SCALE 3:2



2213254-2 AS SHOWN

LUMAWISE LED HOLDER Z50 STANDARD PROFILE

THIS DRAWING IS A CONTROLLED DOCUMENT.		DWN M.V.ESSSEN 6-AUG-13	 TE Connectivity				
DIMENSIONS: mm		CHK M.V.ESSSEN 6-AUG-13					
TOLERANCES UNLESS OTHERWISE SPECIFIED:		APVD O.I.FLJNSE 6-AUG-13	NAME LUMAWISE LED HOLDER Z50 1919				
0 PLC ±- 1 PLC ±- 2 PLC ±- 3 PLC ±- 4 PLC ±- ANGLES ±-		PRODUCT SPEC 108-133008	SIZE A3	CAGE CODE 00779	DRAWING NO C-2213254	RESTRICTED TO -	
MATERIAL -	FINISH -	APPLICATION SPEC 114-32048	SCALE 2:1		SHEET 2	OF 3	REV A1
		WEIGHT -	CUSTOMER DRAWING				

THIS DRAWING IS UNPUBLISHED.

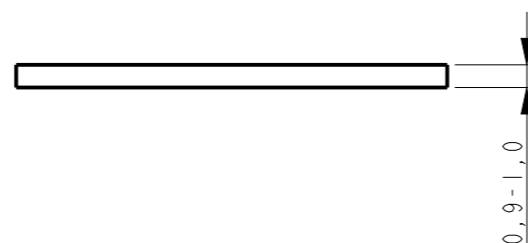
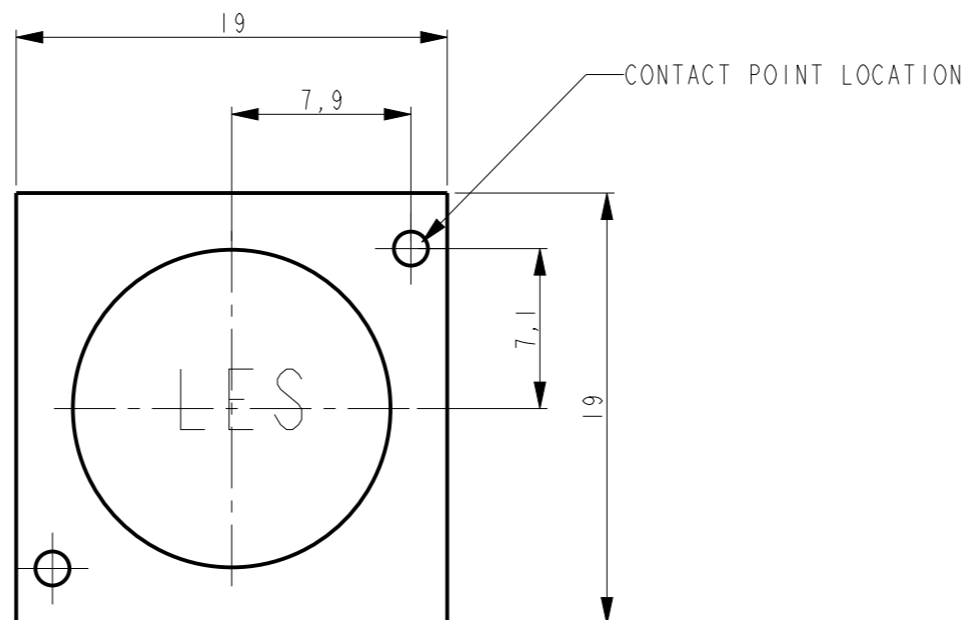
RELEASED FOR PUBLICATION

© COPYRIGHT - BY TYCO ELECTRONICS CORPORATION. ALL RIGHTS RESERVED.

LOC	DIST	REVISIONS					
H	-	P	LTR	DESCRIPTION	DATE	DWN	APVD
				SEE SHEET 1	-	-	-

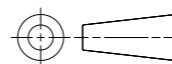
THE SKETCH BELOW IS SHOWING THE NOMINAL LED COB DIMENSIONS TO MATCH WITH THE Z50 LED HOLDER 1919

FOR TECHNICAL DETAILS ABOUT A PROPER MATCH WITH A SPECIFIC LED COB ARRAY PLEASE CONTACT A REPRESENTATIVE AT TE-CONNECTIVITY



THIS DRAWING IS A CONTROLLED DOCUMENT.

DIMENSIONS:
mm



TOLERANCES UNLESS OTHERWISE SPECIFIED:

0 PLC	±.0
1 PLC	±.0
2 PLC	±.0
3 PLC	±.0
4 PLC	±.0
ANGLES	±.0

MATERIAL -

FINISH -

DWN M.V.ESSSEN 6-AUG-13

CHK M.V.ESSSEN 6-AUG-13

APVD O.I.FLJNSE 6-AUG-13

PRODUCT SPEC
108-133008

APPLICATION SPEC
114-32048

WEIGHT -

CUSTOMER DRAWING



NAME
LUMAWISE LED HOLDER Z50
1919

SIZE	CAGE CODE	DRAWING NO	RESTRICTED TO
A3	00779	C-2213254	-

SCALE - SHEET 3 OF 3 REV A1