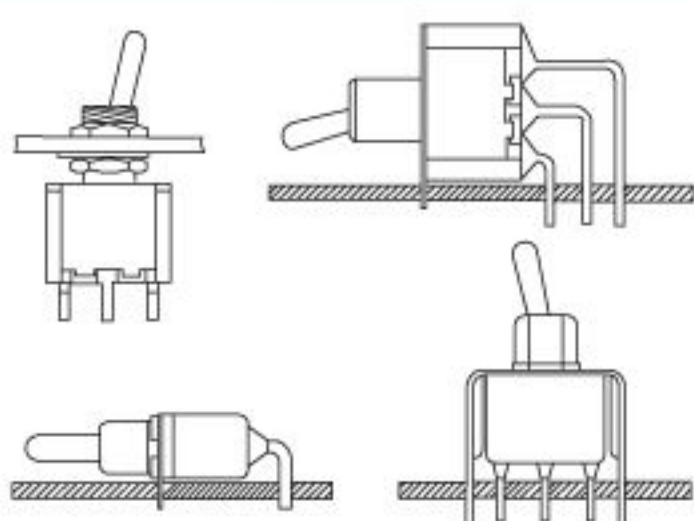


T Series Toggle Switches



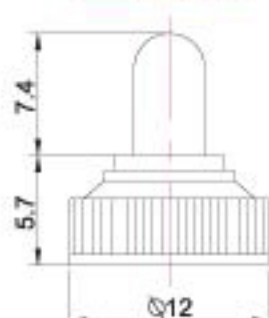
SPECIFICATION:

CONTACT RATING : 5A with resistive load @120V AC or 28V DC
 ,or 0.4VA
 ELECTRICAL LIFE : 50,000 Make-and-break Cycles at full load
 CONTACT RESISTANCE : 10mΩ Max initial @ 2-4V DC
 100mA for both coin silver and gold plated contacts.
 INSULATION RESISTANCE : 1,000MΩ Min.
 DIELECTRIC STRENGTH : 1,000V RMS @ sea level.
 OPERATING TEMPERATURE : -30°C to +130°C

MATERIALS:

Case-diallyl phthalate (DAP)
 TOGGLE HANDLE-Brass, chrome nickel plated
 BUSHING-Brass, nickel plated
 HOUSING-Stainless Steel.
 END CONTACT-Coin silver, silver plated,or gold plated.
 END TERMINAL-Brass, silver plated,or gold plated.
 CENTER CONTACT & TERMINAL-Brass, silver plated,or gold plated.

T1000D SEAL CAP



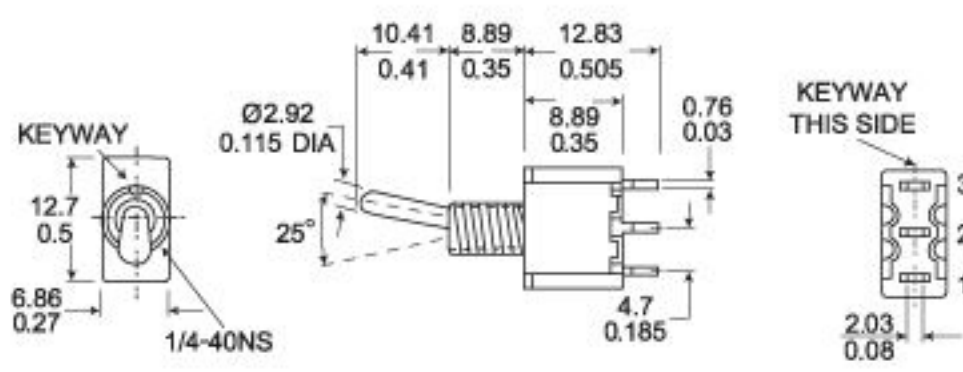
T1000 COLOR CAP

T1000D SEAL CAP

SPDT



MODEL NO.	TYPE		
1010	ON		OFF
1011	ON		ON
1012	ON		(ON)
1013	ON	OFF	ON
1014	(ON)	OFF	(ON)
1015	ON	OFF	(ON)
Term. Comm.	2-3	OPEN	2-1



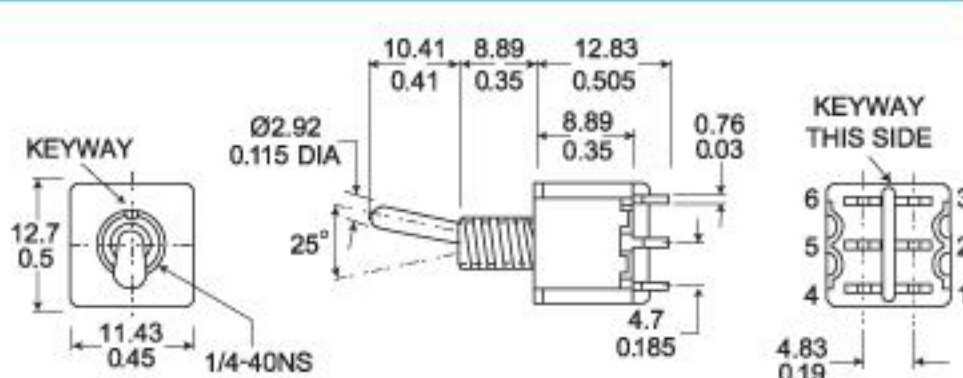
T1011BSTQ

Schematic 2 Comm.

DPDT



MODEL NO.	TYPE		
1020	ON		OFF
1021	ON		ON
1022	ON		(ON)
1023	ON	OFF	ON
1024	(ON)	OFF	(ON)
1025	ON	OFF	(ON)
1026	ON	ON	ON
Term. Comm.	2-3 5-6	OPEN	2-1 5-4



T1021BSTQ

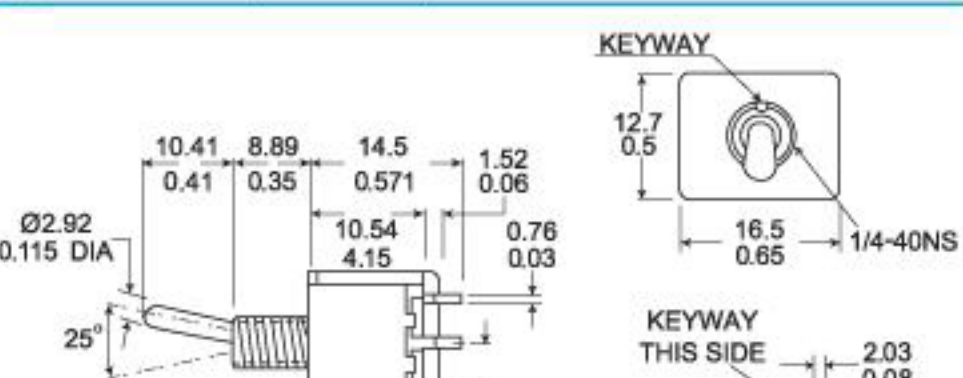
Schematic 2 Comm. 5 Comm.

1026 : SINGLE POLE, 3 POSITION, 3 WAY

3PDT



MODEL NO.	TYPE		
1030	ON		OFF
1031	ON		ON
1032	ON		(ON)
1033	ON	OFF	ON
1034	(ON)	OFF	(ON)
1035	ON	OFF	(ON)
Term. Comm.	2-3 5-6 8-9	OPEN	2-1 5-4 8-7



T1031BSTQ

Schematic Comm. Comm. Comm.

SWITRONIC TEL:886-2-27290229
 FAX:886-2-27582086

B9

E-mail:switches@ms36.hinet.net

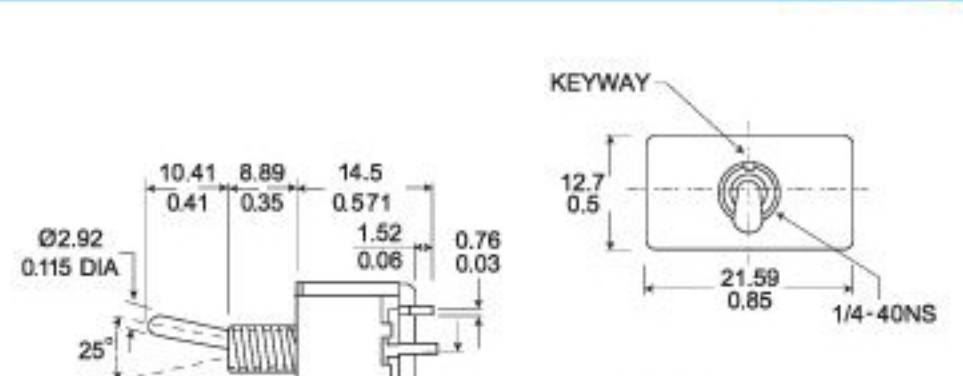
T Series Toggle Switches



4PDT



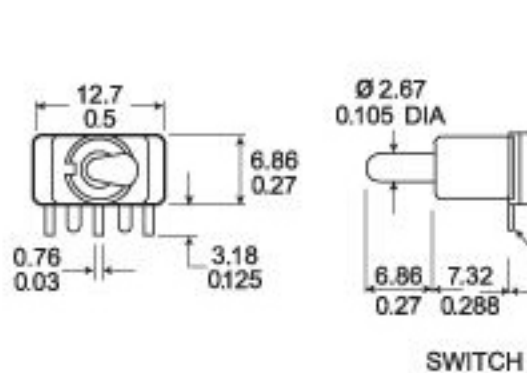
MODEL NO.	TYPE		
1041	ON		ON
1042	ON		(ON)
1043	ON	OFF	ON
1044	(ON)	OFF	(ON)
1045	ON	OFF	(ON)
1046	ON	ON	ON
Term. Comm.	2-3 5-6 8-9 11-12	OPEN	2-1 5-4 8-7 11-10



T1041BSTQ

Schematic 2 Comm. 5 Comm. 8 Comm. 11 Comm.

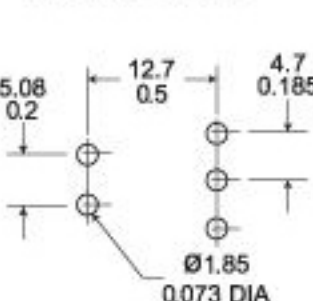
SPDT



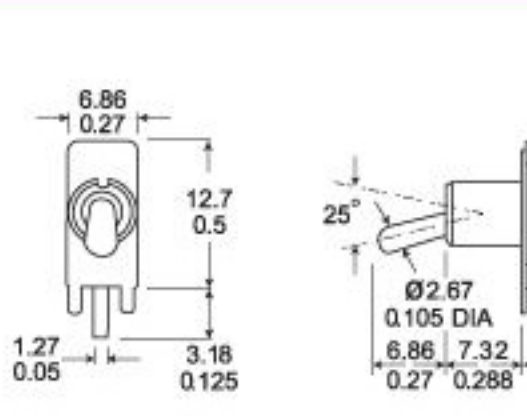
T1011PTNQ

TERM. NOS. FOR REFERENCE ONLY

P.C. MOUNTING



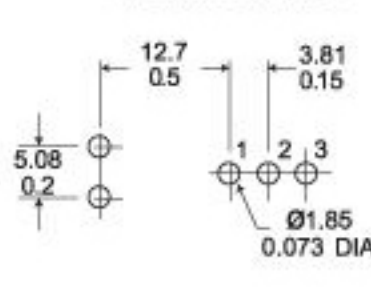
SPDT



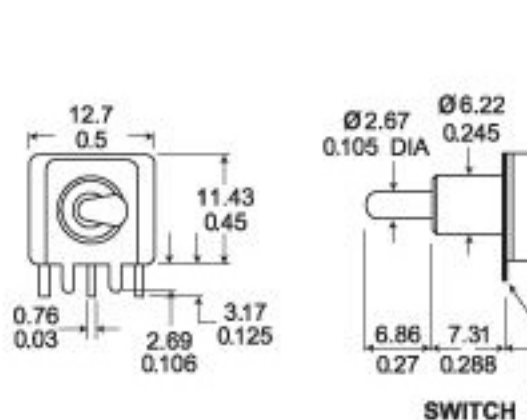
T1011LTNQ

TERM. NOS. FOR REFERENCE ONLY

P.C. MOUNTING



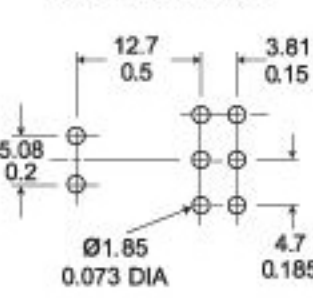
DPDT



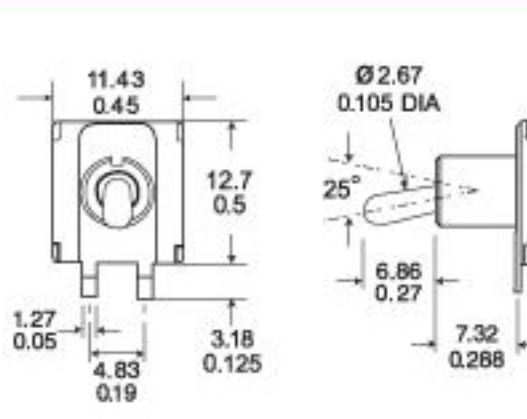
T1021PTNQ

TERM. NOS. FOR REFERENCE ONLY

P.C. MOUNTING



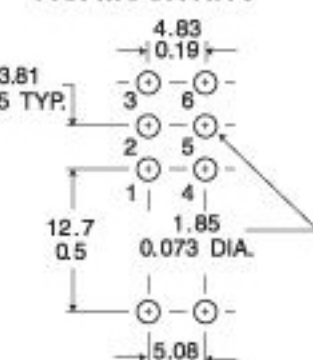
DPDT



T1021LTNQ

TERM. NOS. FOR REFERENCE ONLY

P.C. MOUNTING



SWITRONIC TEL:886-2-27290229
 FAX:886-2-27582086

B10

E-mail:switches@ms36.hinet.net