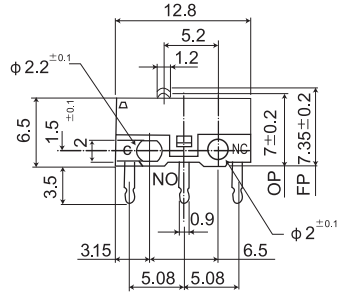
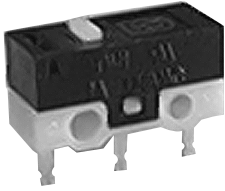


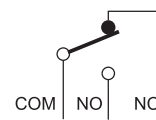
SPECIFICATION:

Rating : DM1 : 1A 125VAC, DM0 : 0.1A125VAC DM3 : 3A 125VAC	Mechanical Life : 500,000 cycles
Insulation Resistance : > 100M Ω DC500V	Electrical Life : 300,000 cycles
Withstand Voltage : AC500V 1minute	Ambient Temper. Used : -25°C ~ +65°C
Contact Resistance : ≤ 50mΩ	Ambient Humidity Used : < 85% RH
Soldering Temper : < 245±5°C max, 5 sec .	Operating Force : On request

DM1-00P-110G
DM3-00P-110G



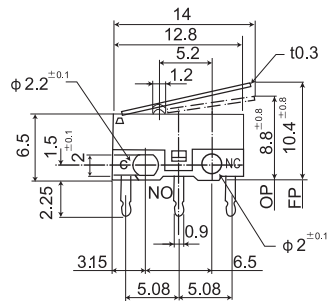
SCHEMATIC



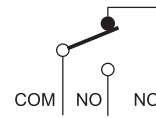
Operating Force (gf):
60, 90, 110, 130g

※ : standard

DM1-01P-30G
DM3-01P-30G



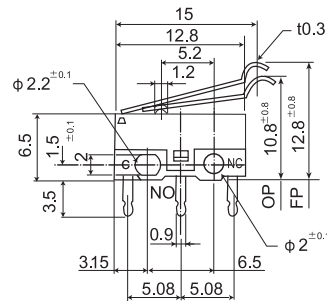
SCHEMATIC



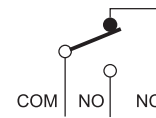
Operating Force (gf):
20, 25, 30, 40g

※ : standard

DM1-02P-30G
DM3-02P-30G



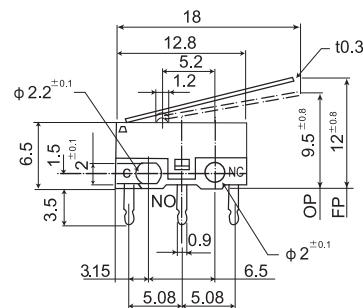
SCHEMATIC



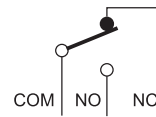
Operating Force (gf):
20, 25, 30, 40g

※ : standard

DM1-03P-25G
DM3-03P-25G



SCHEMATIC

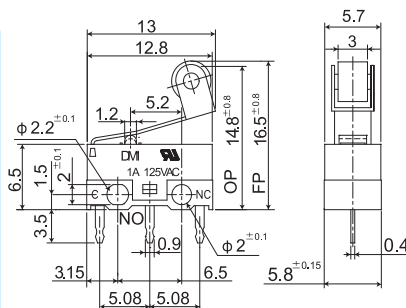


Operating Force (gf):
15, 20, 25, 35g

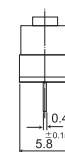
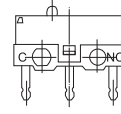
※ : standard

Rolling Type

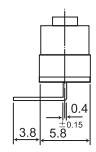
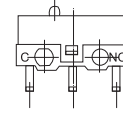
DM1-13P-25G
DM3-13P-25G



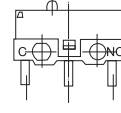
P TYPE



C TYPE (Angle)



D TYPE (Angle)



T TYPE

