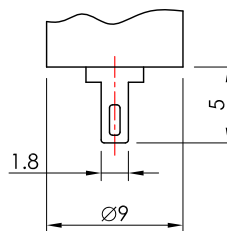
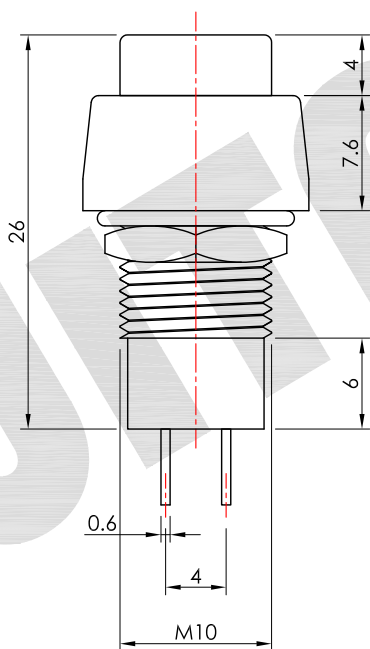
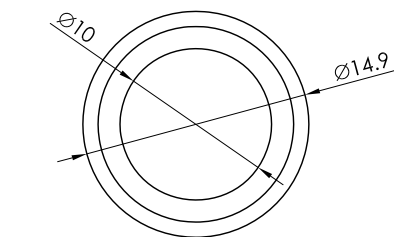


*開關產品未經SWITRONIC同意，請勿拆解，否則無法負品質及安全責任。
Please do not decompose the switch without any permission from SWITRONIC, otherwise the quality and safety responsibility could not be guaranteed.

*本圖面若與目錄之規格尺寸不符，以本圖面規格尺寸為主。
Below is our main specification if different from catalog.

RoHS compliant



NUTS & WASHER	
<input type="checkbox"/>	Separate packing
1	Fixed on S/W

RoHS compliant

SPB-10XXXXX-G

MODEL NO.	FUNCTION
A	OFF - ON
B	OFF - (ON)

BUTTON COLOR	
BU	Blue
B	Black
GN	Green
R	Red
W	White
Y	Yellow
O	Orange

CONTACT & TERMINAL MATERIAL	
<input type="checkbox"/>	Silver
R	Gold



SPECIFICATION

Rating: 1A 125V AC / 0.5A 250V AC.
Function: OFF-(ON),(): Momentary return.
Contact resistance: 30mΩ Max.(initial)
Insulation resistance: 500V DC 100MΩ Min.
Withstand voltage: 1,000V AC for 1 minute.
Operating force: 300g Min.
Mechanical life: 10,000 Cycles Min.
Electrical life: 5,000 Cycles Min.

Note1: Unwashable, don't be immersed by epoxy and organic solvent.
Note2: Please check the actual size, do not scale the drawing page.

MATERIAL

Terminal: Copper alloy, Silver plated.

STORAGE METHOD

After opening the bag of the switches, please include a desiccant into the bag, then seal it to avoid product oxidation.

打開包裝袋後，請在袋中加入乾燥劑並「密封」，避免產品氧化。

VER.	SYMBOL	ALTERATION	DATE
V2.2	無	改版	2015.05.07
V2.1	無	改版	2010.04.01
V2.0	無	新繪製	2005.10.05

產品 PRODUCT	Pushbutton Switch		型號 MODEL NO.	SPB-10BB-G
製圖 DRAWN BY	核圖 CHECKED BY	主管 APPROVED BY	單位 UNIT	mm
Peter Kuo	Chuck Young	Margaret Lee	比例 SCALE	2 : 1
			公差 TOLERANCE	.X=±0.3mm, .XX=±0.2mm

SWITRONIC[®]
INDUSTRIAL CORP.
Switches



一綺電子企業股份有限公司

總公司：110 台北市信義路四段415號13樓之3
13F-3, NO.415, SEC.4, HSIN YI ROAD, TAIPEI, TAIWAN
TEL : 886-2-27290229(Rep.) FAX : 886-2-27582086
URL : www.switronic.com E-MAIL : switches@ms36.hinet.net