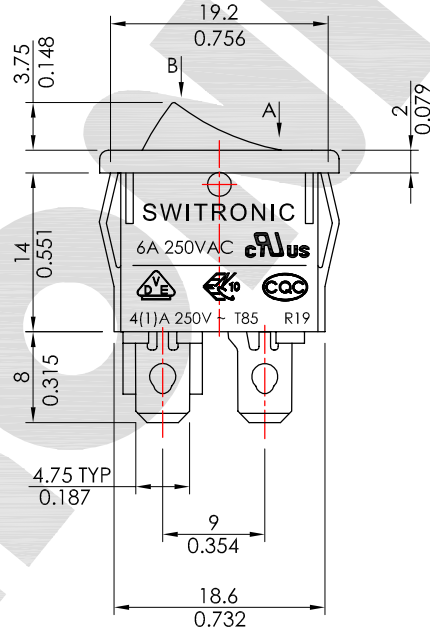
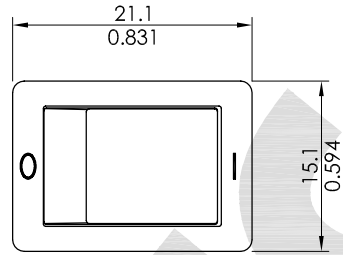
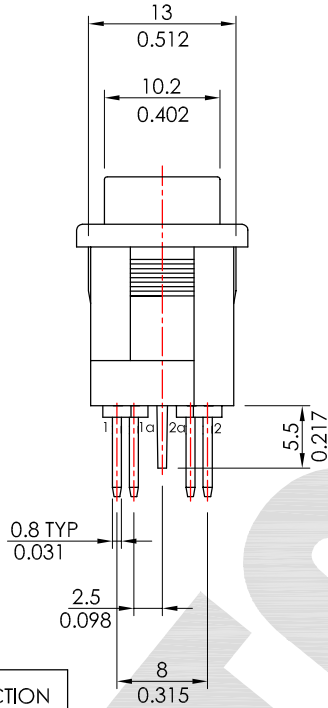
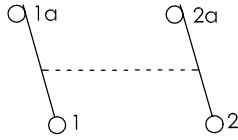


本圖面若與目錄之規格尺寸不符，以本圖面規格尺寸為主。
Below is our main specification if different from catalog.

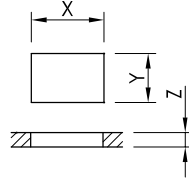
RoHS compliant

CIRCUIT DPST



POLES FUNCTION	OPTION OF FUNCTION		
	A		B
DPST	1-1a 2-2a	—	OFF

PANEL CUT-OUT		
Z	Y	X
0.70~1.25(0.028~0.049)	12.9~13.1(0.508~0.515)	19.1~19.2(0.752~0.756)
1.25~2.00(0.049~0.079)	12.9~13.1(0.508~0.515)	19.3~19.4(0.760~0.764)
2.00~3.00(0.079~0.118)	12.9~13.1(0.508~0.515)	19.4~19.6(0.764~0.772)
3.00~4.00(0.118~0.157)	12.9~13.1(0.508~0.515)	19.6~19.8(0.772~0.780)



MARKING
refer to our catalog **RoHS compliant**

R19-20XXXXT-G

HOUSING COLOR	
B	Black
W	White
G	Gray

ROCKER COLOR	
B	Black
W	White
G	Gray
R	Red
Y	Yellow
GN	Green



SPECIFICATION

Rating: 6A 250V AC / 9A 125V AC(UL).
Contact resistance: <20mΩ.(initial)
Insulation resistance: >1,000MΩ (500V DC between open contacts).
Dielectric strength: >1,500V 1 minute.
Minimum load: 100mA 10V DC.(reference only)
Mechanical life: >30,000 Cycles.
Electrical life: >10,000 Cycles.
Temperature rise at the terminal: 30°C Max.
When proceed with soldering, please pay attention to following:
 For manual soldering method, must use 30W soldering iron and complete the operation within 3 seconds, under 350 °C.
 For dip soldering method, must complete the operation within 3 seconds with the temperature of 280 °C.
Note: Not washable, don't immerse into epoxy and organic solvent.

V2.3	△		
V2.2	無	改 版	2010.04.15
V2.1	無	圖 框 改 版	2007.09.20
V2.0	無	新 繪 製	2003.12.08
版本 VER.	符 號 SYMBOL	修 改 內 容 ALTERATION	更 新 日 期 DATE

產品 PRODUCT		Rocker Switch		型號 MODEL NO.		R19-20BBOT-G		
比例 SCALE	3:2	單位 UNIT	mm	<div style="display: flex; justify-content: space-between; align-items: center;"> <div style="text-align: center;"> </div> <div style="text-align: center;"> </div> </div> <p style="text-align: center;">一綺電子企業股份有限公司</p> <p>總公司：110 台北市信義路四段415號12樓之2 12F-2 NO. 415, SEC. 4, HSIN YI ROAD, TAIPEI, TAIWAN TEL：886-2-27290229(Rep.) FAX：886-2-27582086 URL：http://www.switronic.com.tw E-MAIL：switches@ms36.hinet.net</p>				
公差 TOLERANCE	.X=±0.4mm, .XX=±0.25mm	製圖 DRAWN BY	核圖 CHECKED BY					主管 APPROVED BY
Jack Liao	Alex Lin	Margaret Lee						