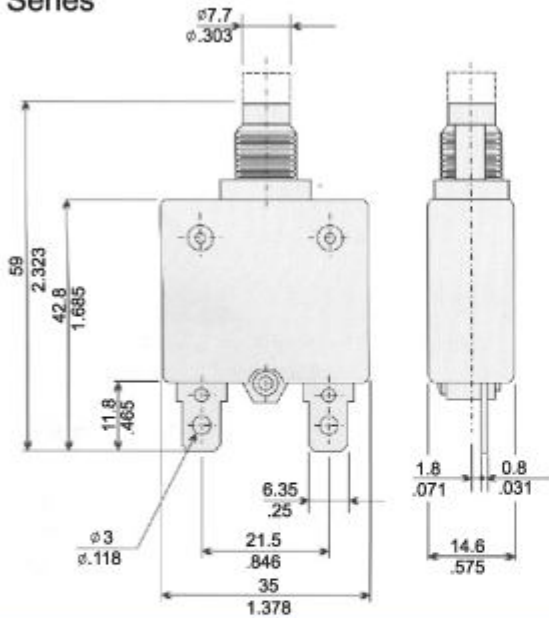


74, 88 Series Circuit Breaker



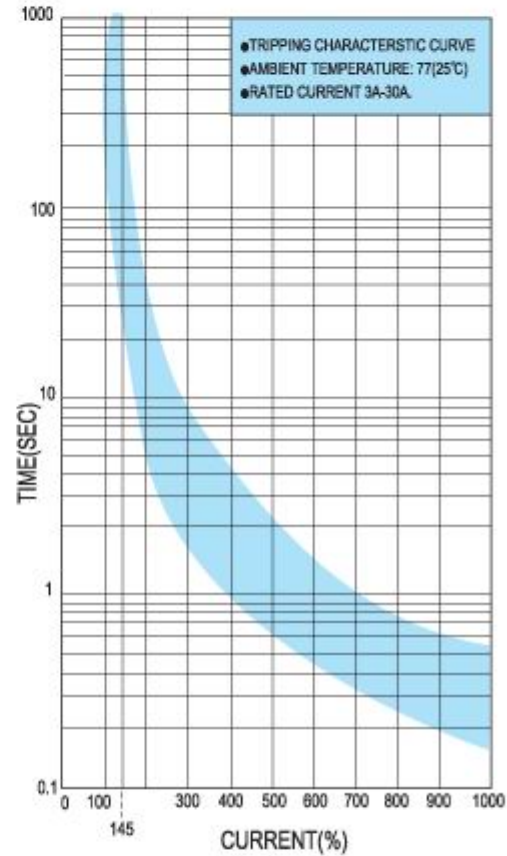
7400 Series



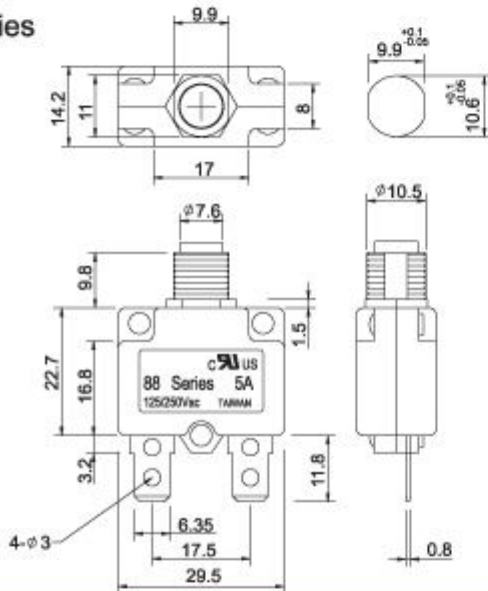
Rating : 125V 250VAC

7400-4	4A	8800-7	7A
7400-5	5A	8800-10	10A
7400-6	6A	8800-15	15A
7400-7	7A	8800-20	20A

OPERATING CHARACTERISTICS

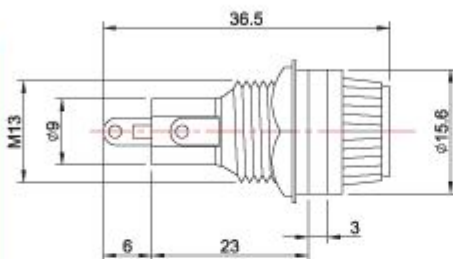


8800 Series

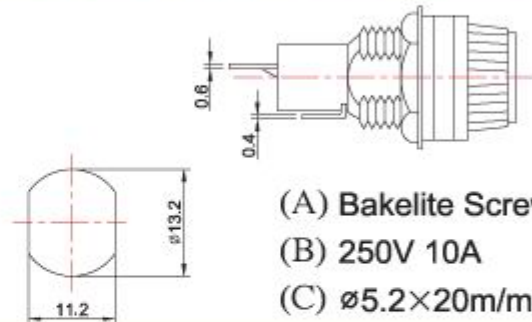


R3-12

FS-20



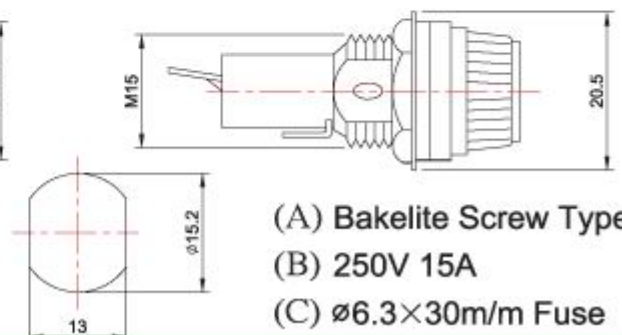
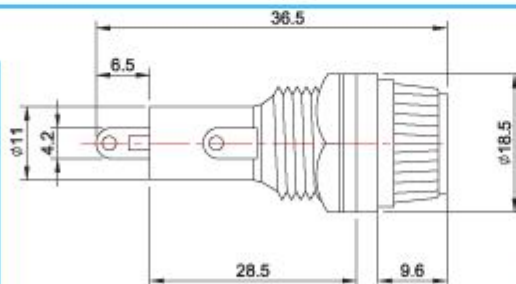
FS 20, 30 FUSE HOLDER



- (A) Bakelite Screw Type
- (B) 250V 10A
- (C) $\phi 5.2 \times 20\text{m/m}$ Fuse

R3-13

FS-30



- (A) Bakelite Screw Type
- (B) 250V 15A
- (C) $\phi 6.3 \times 30\text{m/m}$ Fuse

