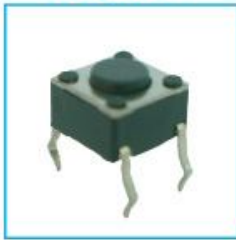


06,07 Series Tact Switches (SMD,Taping, Tape & Reel optional)

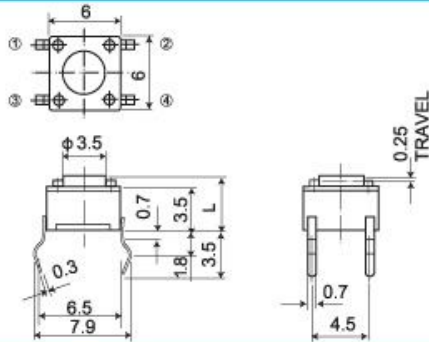
SPECIFICATION:

Rating : 50mA 12V DC	Mechanical Life : 100,000 Cycles
Insulation Resistance : > 100MΩ 250V DC	Electrical Life : 100,000 Cycles
Withstand Voltage : 250V AC 1 minute	Ambient Temper. Used : -25°C ~ +70°C
Contact Resistance : < 100mΩ	Ambient Humidity Used : < 85% RH
Soldering Temper : < 240°C Max, 3sec	Operating Force : 130±30g or 160, 250±50g

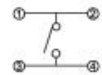
0643,0650



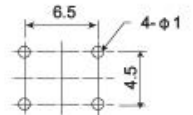
MODEL NO.	L
0643	4.3
0650	5.0



SCHEMATIC



P.C.B. HOLE DETAIL

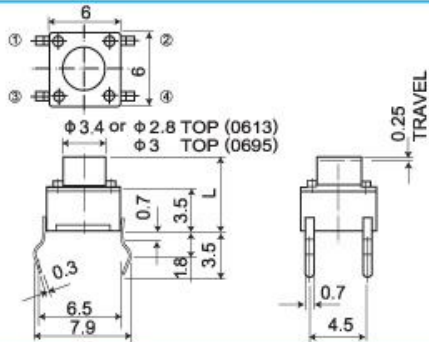


0670, 0680, 0695 0612, 0613, 0617

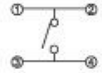


MODEL NO.	L
0670	7.0
0680	8.0
0695	9.5
0612	12
0613	13
0617	17

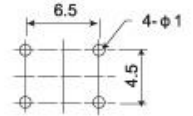
Special : 06125, L=12.5
06135, L=13.5



SCHEMATIC



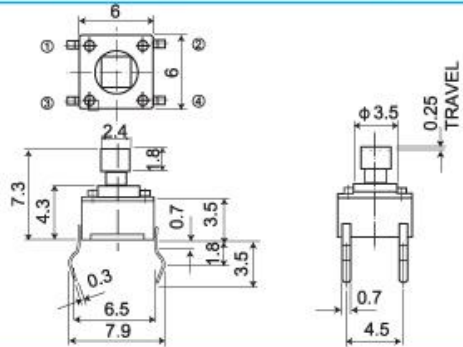
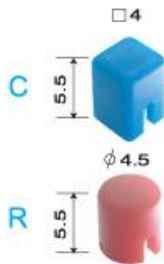
P.C.B. HOLE DETAIL



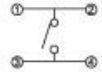
0673



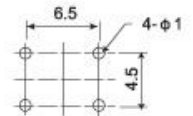
Cap:



SCHEMATIC



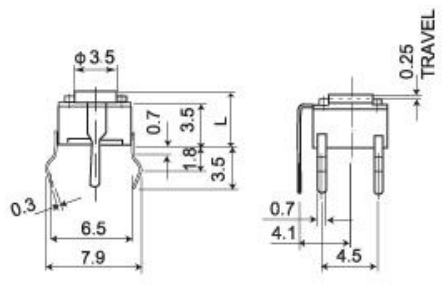
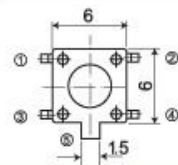
P.C.B. HOLE DETAIL



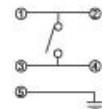
0643G 0650G (Grounding)



MODEL NO.	L
0643G	4.3
0650G	5.0



SCHEMATIC



P.C.B. HOLE DETAIL

