



## RLTMSL-532 1-300 mW

SINGLE LONGITUDINAL MODE LASER



## Green Diode Pumped Solid State Laser

All solid state 532 nm green laser featuring compact size, long lifetime, and low cost, and easy operatability, which is widely used for scientific experiments, measurements, optical sensors, communication, spectrum analysis, medical treatment, etc.



Specifications	
Wavelength	532 ±1 nm
Output Power	1 - 300 mW
Transverse mode	TEM <sub>00</sub>
<b>Longitudinal mode</b>	<b>Single</b>
Operating Mode	CW
Power Stability (rms, over 4 hours)	< 1%, < 3%, < 5%
Warm-up time	< 10 min
M <sup>2</sup> factor	< 1.2
Beam Divergence (full angle)	< 1.5 mrad
Beam Diameter (at the aperature)	~ 2.0 mm
Beam Height (from base plate)	24.8 mm
Polarization ratio	> 100:1 ( 45°)
Pointing stability after warm up	< 0.05
<b>Noise of amplitude (rms, 1 - 20Mhz)</b>	<b>&lt;0.5%</b>
<b>Spectral linewidth (nm)</b>	<b>&lt;0.001</b>
Operating Temperature	15 - 35 °C
Power Supply (90-260VAC)	PSU-FDA (included)
Expected Lifetime	10000 hours
<b>Warranty period</b>	<b>1 year</b>

Options	
PSU-OEM (5VDC)	DC power supply for system integration
Fiber coupling	Multi mode/single mode fiber, SMA-905/FC connector



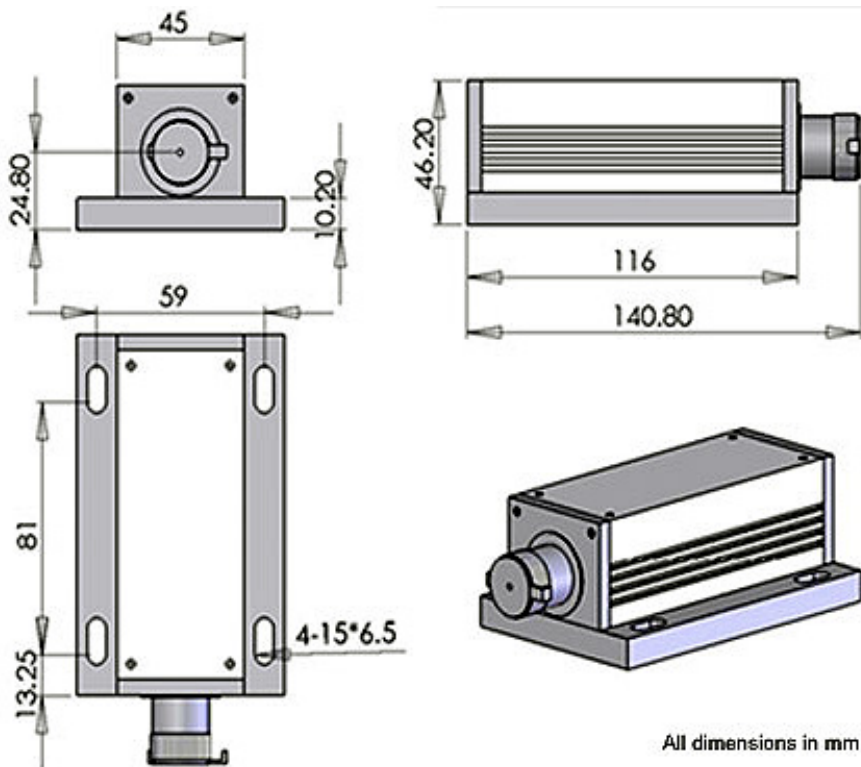
**LASER RADIATION**  
AVOID DIRECT EXPOSURE TO BEAM  
DO NOT STARE INTO BEAM  
NEVER VIEW THROUGH OPTICAL INSTRUMENTS



## RLTMSL laser head



141 x 73 x 46 mm<sup>3</sup>, 0.6 kg

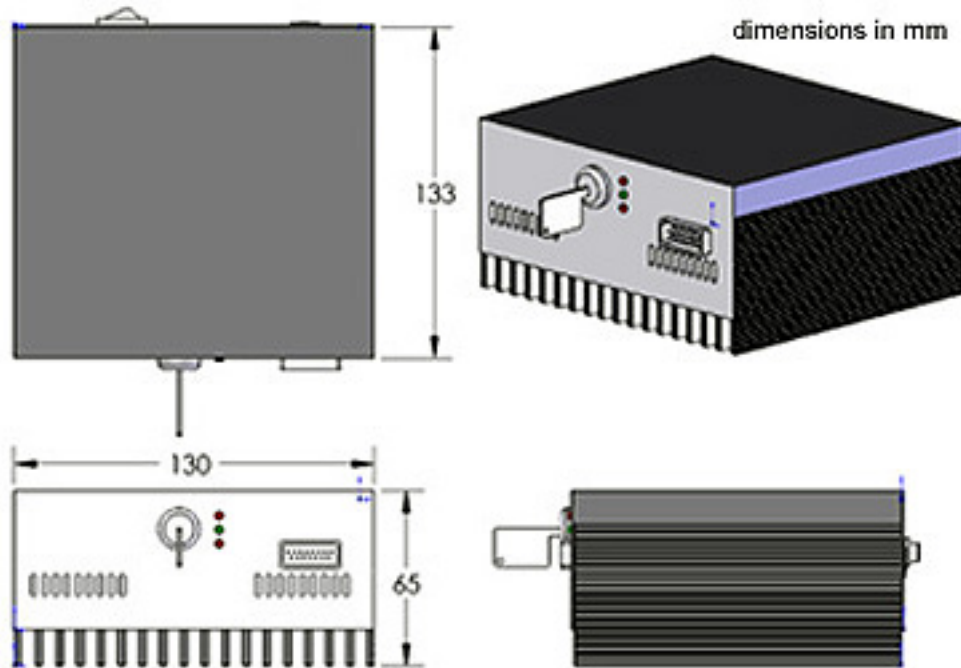




## PSU-FDA power supply

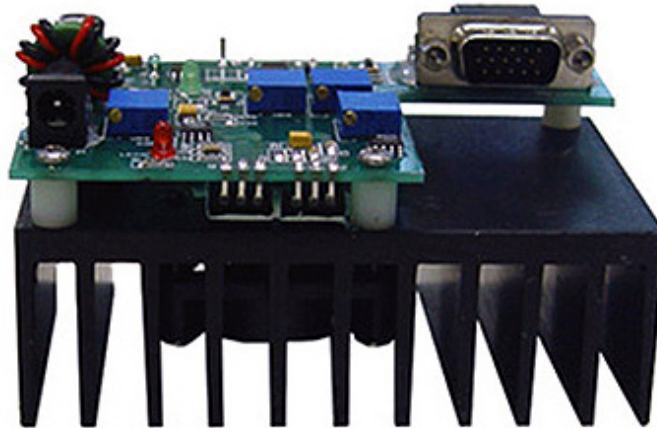


133 x 130 x 65 mm<sup>3</sup>, 1.2 kg





## PSU-OEM power supply



100 x 60 x 56 mm<sup>3</sup>, 0.2 kg

