

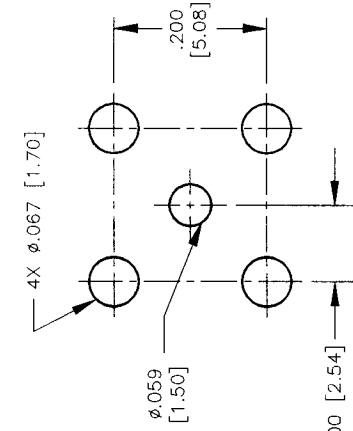
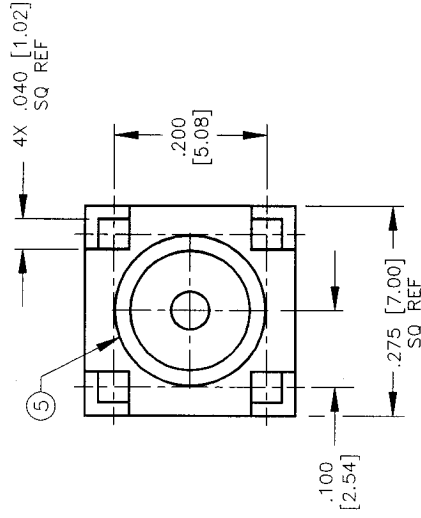
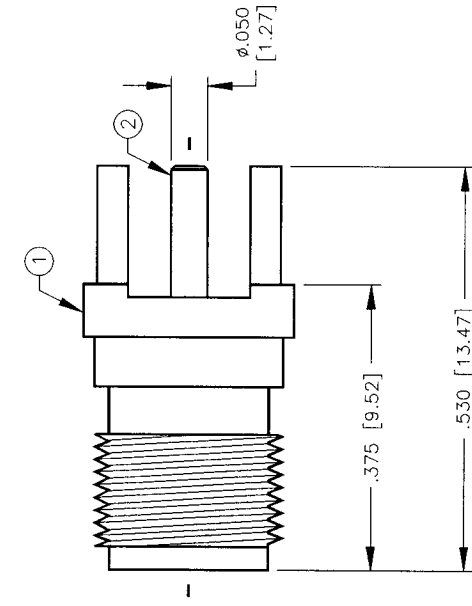
ENVELOPE / ASSEMBLY DRAWING

008974

SPECIFICATION CONTROL DRAWING

THIS DRAWING CONTAINS INFORMATION PROPRIETARY TO RF INDUSTRIES, LTD. ANY UNAUTHORIZED USE OF THIS DRAWING IS EXPRESSLY PROHIBITED. ANY VIOLATION IS PUNISHABLE UNDER U.S. COPYRIGHT LAWS.

ALL DIMENSIONS ARE REFERENCE ONLY



SUGGESTED MOUNTING CONFIGURATION

REV	DESCRIPTION	DWN	DATE	APPROVED
A	ENGINEERING RELEASE	KMM	8/20/93	K.HARTMANN
B	CHANGE PART NUMBER FROM RSA-2312-1 TO RSA-3350-1	WMD	12/16/93	C. JONES
C	UPDATE	KMM	9/10/96	R. RICE
D	ADD STEP-ON LEGS / ADD ITEM #4 & #5	CZS	11/19/98	R. RICE

DIMENSIONS ARE IN INCHES AND [MILLIMETERS]

UNLESS OTHERWISE NOTED TOLERANCES ARE: DECIMALS DIAMETER

DRAWN C. ZUNIGA	DATE 11/19/98
CHECKED OR DRAWN <i>[Signature]</i>	APPROVALS K. MAXWELL
	DATE 8/11/93

RF connectors
DIVISION OF RF INDUSTRIES, LTD.

7610 MIRAMAR RD
SAN DIEGO, CA 92126
(619)549-6340
(619)549-6345 FAX

RSA-3350-1		SMA FEMALE VERTICAL PCB MOUNT	
SIZE A	CABLE GROUP N/A	DWG NO. 8195	REV D
SCALE: 4:1	CAD FILE 13ARC B	SHEET 1 OF 1	

SPECIFICATIONS:

IMPEDANCE: 50 OHMS

ITEM	DESCRIPTION	QTY	MATERIAL	FINISH
5	PRESS FIT WASHER	1	BRASS	GOLD
4	DIELECTRIC	1	TEFLON	NONE
3	DIELECTRIC	1	TEFLON	NONE
2	CONTACT	1	BeCu	GOLD
1	BODY	1	BRASS	GOLD