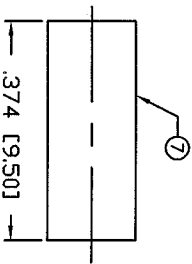
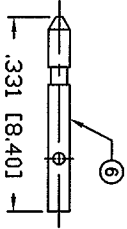
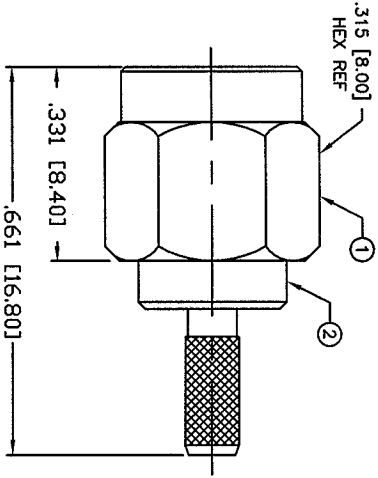


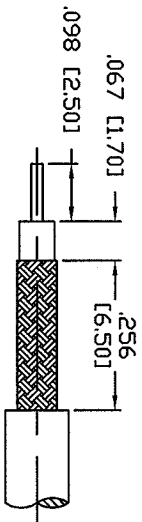
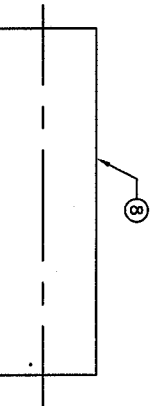
THIS DRAWING CONTAINS INFORMATION PROPRIETARY TO RF INDUSTRIES, ANY UNAUTHORIZED USE OF THIS DRAWING IS EXPRESSLY PROHIBITED WITHOUT WRITTEN PERMISSION FROM RF INDUSTRIES. ANY VIOLATION IS PUNISHABLE UNDER U.S. COPYRIGHT LAWS.

ALL DIMENSIONS ARE REFERENCE ONLY



PIN TO BE SOLDERED BUT MAY BE CRIMPED W/ RFA-4089

RECOMMENDED CRIMP DIE: .130



RECOMMENDED STRIPPING DIM'S

SPECIFICATIONS:

IMPEDANCE: 50 Ohms
 FREQUENCY RANGE: 0-12.4 GHz
 INSERTION LOSS(DB): $0.03 \times \sqrt{f(\text{GHz})}$
 WORKING VOLTAGE: 500 V rms Max. @ Sea Level
 INSULATION RESISTANCE: 5k M Ohms min.
 TEMPERATURE RANGE: -65°C TO 165°C
 FOR RG-174, 188, 188A, 316/U, ALPHA 9174, 9316,
 BELDEN 8216, 83269, 83284, 84316 & TIMES LMR-100A CABLE

UNLESS OTHERWISE SPECIFIED:

1. REMOVE ALL BURRS
2. BREAK ALL CORNERS & EDGES .005 R. MAX.
3. CHAMFER 1ST & LAST THREADS 45°
4. SURFACE ROUGHNESS 63 FINISH MIL-STD-10
5. DIAMETERS ON COMMON CENTERS TO BE CONCENTRIC WITHIN .002 T.I.R.
6. ALL DIMENSIONS ARE AFTER PLATING.

DIMENSIONS ARE IN INCHES AND [MILLIMETERS]


UNLESS OTHERWISE NOTED TOLERANCES ARE:

DECIMALS .XXX±.003 [.08]
 .XX±.005 [.13]
 DIAMETER .XXX±.001 [.03]
 .XX±.003 [.08]

1	SHELL	1	BRASS	NICKEL, 100μ"	008974		
2	BODY	1	BRASS	NICKEL, 100μ"			
3	INSULATOR	1	TEFLON	---			
4	RETAINING RING	1	BeCu	---			
5	GASKET	1	SILICONE	---			
6	PIN	1	BRASS	GOLD, 50μ"			
7	FERRULE	1	BRASS	NICKEL, 100μ"			
8	TUBING	1	HEAT SHRINK	---			
9							
10							
11							
12							
13							
14							
#	DESCRIPTION	QTY	MATERIAL	FINISH	APPROVALS	DATE	

DRAWN	8/23/01
CZS	
CHECKED	8-23-01
ORJ DRAWN	
K. MAXWELL	3/21/95

APPROVALS	DATE



7610 MIRAMAR RD
 SAN DIEGO, CA 92126
 (858) 549-6340
 (858) 549-6345 FAX

SMA MALE, CRIMP

SIZE	CABLE GROUP	DWG NO.	REV
A	B	RSA-3000-B	C

SCALE: NTS CAD FILE OUTLINE SHEET 1 OF 1

PART NO. RSA-3000-B				
REV	DESCRIPTION	DWN	DATE	APPROVED
A	ENGINEERING RELEASE	KM	3/21/95	R. RICE
B	CHANGE STRIPING STRUCTIONS	KM	8/19/96	R. RICE
C	CHANGE PIN DESIGN, OVERALL DIM, DWG FORMAT & SPECS	CZS	8/23/01	JDMC