

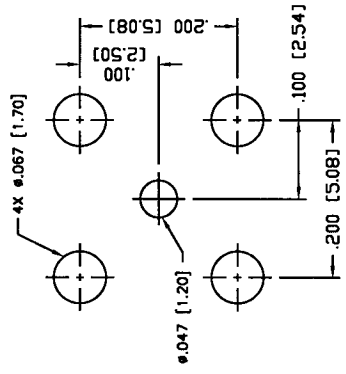
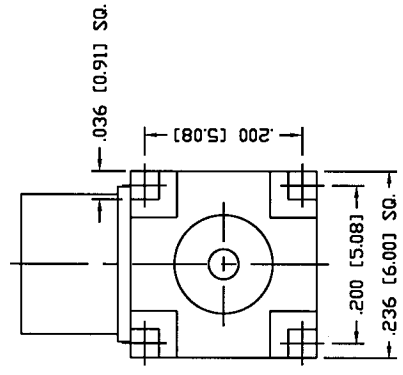
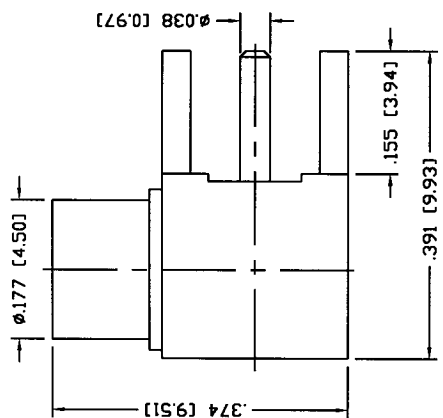
# RMX-8300-1

PART NO.

THIS DRAWING CONTAINS INFORMATION PROPRIETARY TO RF INDUSTRIES.  
 ANY UNAUTHORIZED USE OF THIS DRAWING IS EXPRESSLY PROHIBITED  
 WITHOUT WRITTEN PERMISSION FROM RF INDUSTRIES.  
 ANY VIOLATION IS PUNISHABLE UNDER U.S. COPYRIGHT LAWS.

ALL DIMENSIONS ARE REFERENCE ONLY

REV	DESCRIPTION	DWN	DATE	APPROVED
-	ENGINEERING RELEASE	CZS	12/1/99	JDMc
A	UPDATE FORMAT AND ADD ELECTRICAL SPECS	CZS	8/15/02	JDMc



PCB MOUNTING HOLE

## SPECIFICATIONS:

IMPEDANCE: 50 Ohms  
 FREQUENCY RANGE: 0-6 GHz  
 WORKING VOLTAGE: 170 V rms @ sea level  
 TEMPERATURE RANGE: -65°C TO 165°C  
 INSULATION RESISTANCE: 1k M Ohms min.

#	DESCRIPTION	QTY	MATERIAL	FINISH	APPROVALS	DATE
1	BODY	1	BRASS	GOLD, 3μ"	008974 DRAWN C. ZUNIGA CHECKED M.B.S.R. ORU DRAWN C. ZUNIGA APPROVALS DATE 8/15/02	8/15/02
2	BODY	1	BRASS	GOLD, 3μ"		
3	INSULATOR	1	PTFE	---		
4	CONTACT	1	BeCu	GOLD, 30μ"		
5	INSULATOR	1	PTFE	---		
6						
7						
8						
9						
10						
11						
12						
13						
14						

UNLESS OTHERWISE SPECIFIED:  
 1. REMOVE ALL BURRS  
 2. BREAK ALL CORNERS & EDGES .005 R. MAX.  
 3. CHAMFER 1ST & LAST THREADS 45°  
 4. SURFACE ROUGHNESS 63 FINISH MIL-STD-10  
 5. DIAMETERS ON COMMON CENTERS TO BE CONCENTRIC WITHIN .002 T.I.R.  
 6. ALL DIMENSIONS ARE AFTER PLATING.

DIMENSIONS ARE IN INCHES AND [MILLIMETERS]  
 UNLESS OTHERWISE NOTED TOLERANCES ARE:  
 DECIMALS .XXX±.001 [.03]  
 .XX±.003 [.08]  
 .XX±.005 [.13]

**RF connectors**  
 DIVISION OF RF INDUSTRIES, LTD.  
 7610 MIRAMAR RD  
 SAN DIEGO, CA 92126  
 (858) 549-6340  
 (858) 549-6345 FAX

# MCX JACK

R/A, P.C.B. MOUNT

SIZE	CABLE GROUP	DWG NO.	REV
A	N/A	RMX-8300-1	A
SCALE:	NTS	CAD FILE	OUTLINE
			SHEET 1 OF 1