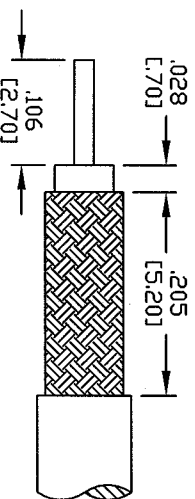
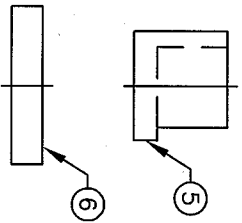
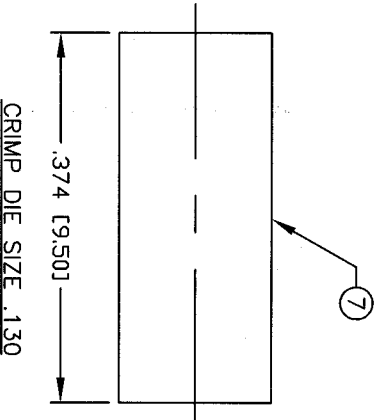
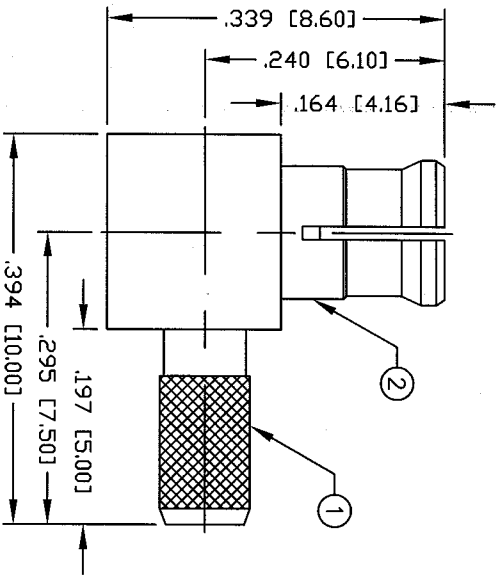
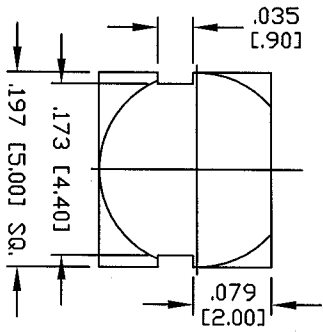


THIS DRAWING CONTAINS INFORMATION PROPRIETARY TO RF INDUSTRIES.
 ANY UNAUTHORIZED USE OF THIS DRAWING IS EXPRESSLY PROHIBITED
 WITHOUT WRITTEN PERMISSION FROM RF INDUSTRIES.
 ANY VIOLATION IS PUNISHABLE UNDER U.S. COPYRIGHT LAWS.

ALL DIMENSIONS ARE REFERENCE ONLY



SPECIFICATIONS:
 IMPEDANCE: 50 OHMS
 FREQUENCY RANGE: 0-6 GHz
 DIE WITHSTANDING VOLTAGE: 1000 VRMS MIN. AT SEA LEVEL
 WORKING VOLTAGE: 335 VRMS MAX. AT SEA LEVEL
 INSULATOR RESISTANCE: 1000 MEGOHMS MIN.

SOLDER CABLE CENTER CONDUCTOR TO CONNECTOR'S PIN

1	BODY	1	Be. Cu.	NICKEL, 100μ"	008974		
2	MCX BODY	1	BRASS	NICKEL, 100μ"			
3	INSULATOR	1	PTFE	---			
4	PIN	1	BRASS	GOLD, 30μ"			
5	INSULATOR	1	DELRIN	---			
6	PRESS CAP	1	BRASS	NICKEL, 100μ"			
7	FERRULE	1	COPPER	NICKEL, 100μ"			
8							
9							
10							
11							
12							
13							
14							
#	DESCRIPTION	QTY	MATERIAL	FINISH	APPROVALS	DATE	

UNLESS OTHERWISE SPECIFIED:
 1. REMOVE ALL BURRS
 2. BREAK ALL CORNERS & EDGES .005 R. MAX.
 3. CHAMFER 1ST & LAST THREADS 45°
 4. SURFACE ROUGHNESS 63 FINISH MIL-STD-10
 5. DIAMETERS ON COMMON CENTERS TO BE CONCENTRIC WITHIN .002 T.I.R.
 6. ALL DIMENSIONS ARE AFTER PLATING.

DIMENSIONS ARE IN INCHES AND [MILLIMETERS]

UNLESS OTHERWISE NOTED TOLERANCES ARE:

DECIMALS .XXX±.003 [.08]
 DIAMETER .XXX±.001 [.03]
 .XXX±.003 [.08]

PART NO.		RMX-8010-B1	
REV	DESCRIPTION	DWN	DATE
A	ENGINEERING RELEASE	KMM	3/6/99
B	UPDATE DWG FORMAT & SPECS	CZS	6/26/01

RF connectors
 DIVISION OF RF INDUSTRIES, LTD.
 7610 MIRAMAR RD
 SAN DIEGO, CA 92126
 (858) 549-6340
 (858) 549-6345 FAX

MCX PLUG, CRIMP

RIGHT ANGLE

SIZE	CABLE GROUP	DWG NO.	REV
A	B	RMX-8010-B1	B
SCALE:	NTS	CAD FILE	OUTLINE
		SHEET	1 OF 1