

G4E250-EA09-03

# AC centrifugal fan

forward curved, single inlet

with housing (large flange)



## ebm-papst Mulfingen GmbH & Co. KG

Bachmühle 2 · D-74673 Mulfingen

Phone +49 7938 81-0

Fax +49 7938 81-110

info1@de.ebmpapst.com

www.ebmpapst.com

Limited partnership · Headquarters Mulfingen  
County court Stuttgart · HRA 590344

General partner: Elektrobau Mulfingen GmbH · Headquarters Mulfingen  
County court Stuttgart · HRB 590142



## Nominal data

Type	G4E250-EA09-03		
Motor	M4E094-HA		
Phase		1~	1~
Nominal voltage	VAC	230	230
Frequency	Hz	50	60
Type of data definition		fa	ml
Valid for approval / standard		CE	CE
Speed	min <sup>-1</sup>	1150	1400
Power input	W	760	730
Current draw	A	3.8	3.3
Motor capacitor	µF	10	10
Capacitor voltage	VDB	450	450
Min. back pressure	Pa	0	220
Max. ambient temperature	°C	45	55

ml = max. load · me = max. efficiency · fa = running at free air · cs = customer specs · cu = customer unit  
Subject to alterations

## Data according to ErP directive

		Actual	Request 2013	Request 2015
Installation category	B			
Efficiency category	Total			
Variable speed drive integrated	No			
Specific ratio*	1,00			
Overall efficiency $\eta_e$		36,2	32,6	39,6
Efficiency grade N		45,6	42	49
Power input $P_e$	kW	0,33		
Air flow $q_v$	m <sup>3</sup> /h	1165		
Pressure increase $p_f$	Pa	379		
Speed n	min <sup>-1</sup>	1420		

Data established at point of optimum efficiency

\* Specific ratio =  $1 + p_f / 100\,000\text{ Pa}$



# AC centrifugal fan

forward curved, single inlet  
with housing (large flange)

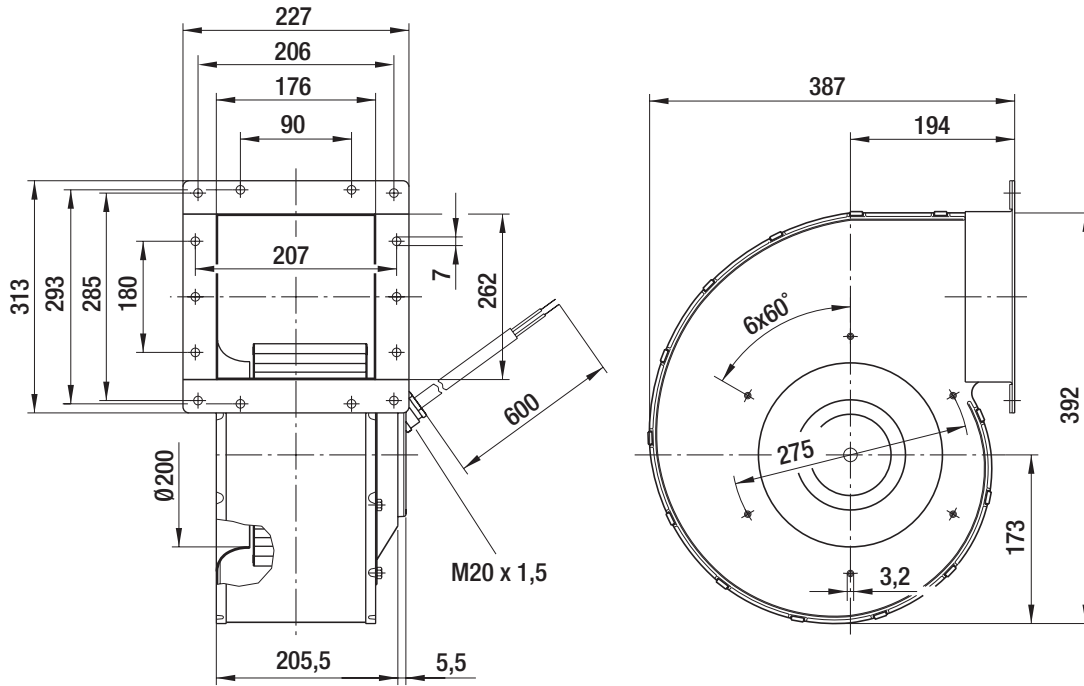
## Technical features

<b>Mass</b>	13.1 kg
<b>Size</b>	250 mm
<b>Material of impeller</b>	Sendzimir galvanized sheet steel
<b>Housing material</b>	Sendzimir galvanized sheet steel
<b>Direction of rotation</b>	Clockwise, seen on rotor
<b>Type of protection</b>	IP 54
<b>Insulation class</b>	"F"
<b>Humidity class</b>	F4-1
<b>Operation mode</b>	Continuous operation (S1)
<b>Motor bearing</b>	Ball bearing
<b>Leakage current</b>	$\leq 3.5$ mA
<b>Motor protection</b>	Thermal overload protector (TOP) brought out
<b>Cable exit</b>	Variable

# AC centrifugal fan

forward curved, single inlet  
with housing (large flange)

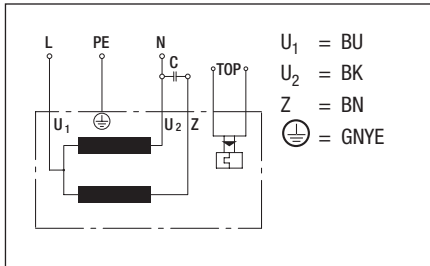
## Product drawing



# AC centrifugal fan

forward curved, single inlet  
with housing (large flange)

## Connection screen



# AC centrifugal fan

forward curved, single inlet  
with housing (large flange)

## Charts: Air flow 50 Hz



## Measured values

	n	P <sub>e</sub>	I
	min <sup>-1</sup>	W	A
1	1310	560	2.73
2	1390	395	2.05



# AC centrifugal fan

forward curved, single inlet  
with housing (large flange)

## Charts: Air flow 60 Hz

